

siteco

# Floodlight FL 11

Pinpoint precision.  
Infinite possibilities.



Variants,  
Data sheets,  
configuration –  
at a glance:

**Floodlight  
FL 11**



# Floodlight FL 11 – the new dimension of light.

## **Become a minimalist.**

Our power solution will enable you to save money, electricity and CO<sub>2</sub>. It needs fewer floodlights than a comparative LED solution and increases the precision of illumination with the help of a new light distribution system.

## **Don't do things halfway.**

100% flexibility in planning, installation, alignment and control. This also includes flexible placement of the ECG, LED modules that can be rotated 360° and two sizes.

## **Say yes to environmental protection.**

“Green” floodlights with replaceable components, recyclable materials, insect friendly light colors and, most of all, no light emissions – all delivered in non-plastic packaging. “Environmental protection” are not empty words to us.



## Infinite – and pinpoint.

We all know that you cannot plan everything in life. But that is certainly not the case for light by SITECO. The Floodlight FL 11 is an energy-efficient, easily mountable, precisely controlled system that will exceed every expectation that you ever had about the visual comfort of players and spectators.

Floodlight FL 11 optimally meets the special needs of athletic competition. But it is also flexible enough to react precisely to changing circumstances on short notice. No matter whether you are talking about playing fields, tennis courts or halls: Floodlight FL 11 combines visual comfort, cost savings, climate protection and flexibility. And this brings us to the fundamental strength of the Floodlight FL 11: namely that it has no weakness at all.

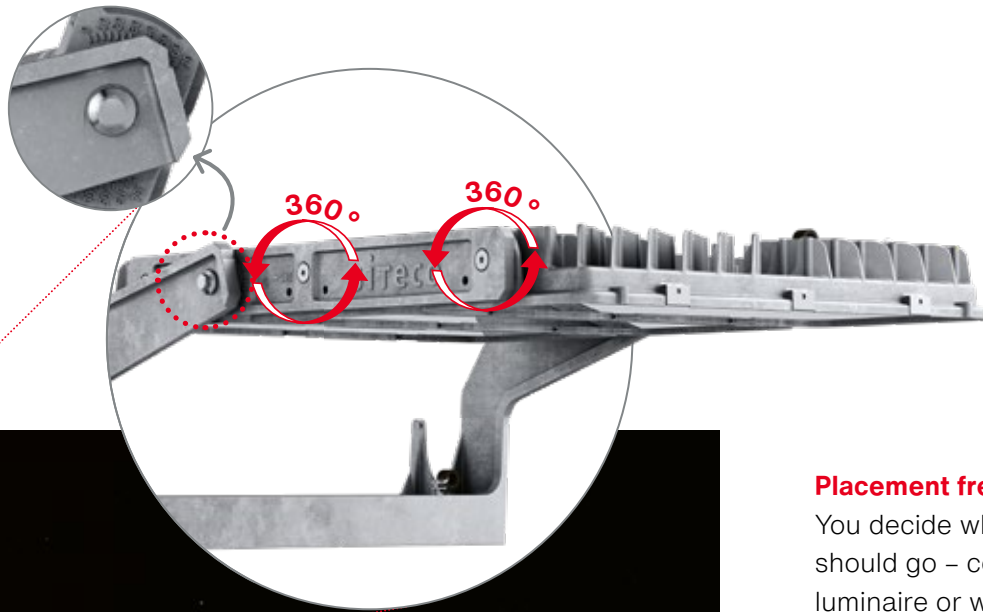


- ⊕ Highly efficient operations with fewer luminaires thanks to a new light distribution system
- ⊕ Easy maintenance thanks to flexible ECG integration on the mast or luminaire
- ⊕ Non-glare light with 0% light emission without producing any light that can bother residents and nature
- ⊕ Maximum flexibility and precision delivered by rotatable modules and adjustable light heads
- ⊕ Needs-based light control with DALI2, DMX RDM and SITECO Connect Sport
- ⊕ Excellent color rendering & flicker-free super slow-motion for TV broadcasts
- ⊕ High-quality, long-lasting manufacture with non-yellowing PMMA lenses, robust glass covers and die-cast aluminum housings

# The master of modification.

No athletic facility is like the other. The same principle applies to its lighting as well. It does not have to either. Floodlight FL 11 is designed in such a way that enables it to optimally meet the widest range of needs – from planning to setup and illumination.



**Placement freedom**

You decide where the driver should go – compactly on the luminaire or wherever you like on the mast. But one thing is certain: The remotely positioned ECG turns every maintenance job into child's play.

**Connection freedom**

230V or 400V? Both, of course! You do not have to decide before you place an order. Floodlight FL 11 is equipped with a variable ECG that can handle both connection options.

**Adjustment freedom**

You can rotate the modules of the Floodlight FL 11 by 360°. The light head itself can be adjusted in 2,5° steps. You can then point the light beam with the utmost precision to satisfy your specific needs.





0%  
Light emission

Light – where athletes  
need it and spectators  
want it.



# A new form of green light.

Light sets the pace of our lives. Artificial light can be a real annoyance. It can throw both people and the environment off balance – and have a devastating impact on insects and the entire downstream food chain. But there is some good news: Floodlight FL 11 prevents it all from happening. It meets every criterion set by the latest environmental laws and planning directives. Light has a special responsibility to assume as human settlements encroach more and more on the habitats of wildlife.

## **Targeted and 0% light emissions**

Thanks to its new asymmetric light distribution system, Floodlight FL 11 casts light with pinpoint and targeted precision onto the playing field or court – and onto it only. Without any scattered light or light emissions to contend with, the night sky remains dark and animals and neighborhood residents can live their lives in peace.

## **Insect friendly light for more biodiversity**

The warmer the light color, the less it attracts insects. This is why SITECO's Floodlight FL 11 produces 3,000K light, a color that is especially insect friendly. Other animals profit as well: all predators of insects, migratory birds and even fish and amphibians that live near human settlements.

Particularly insect friendly  
light with

# 3,000K

# The No. 1 on every soccer field.

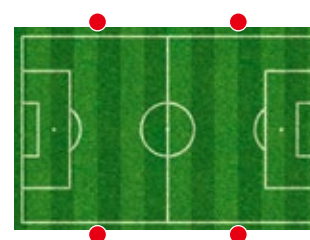
No matter whether you need 4- or 6-mast units – our wide-beam Floodlight FL 11 can cover all established geometries. It also meets all current requirements set by trade associations and standards.

## Putting the Floodlight FL 11 to the test

Tennis court: 105 × 68m; light point height: 16m

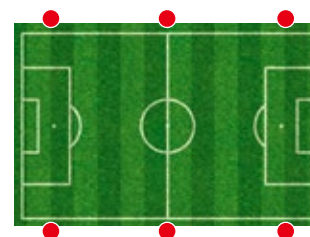
### 4-mast system

	FL 11 maxi pro		FL 11 maxi
	Class II	Class III	Class III
Number of floodlights per mast	2 × PL64 + 1 × PL43 2 × PL64 + 1 × PL43	2 × PL64 2 × PL64	2 × PL64 2 × PL64
Horizontal illuminance $E_m$	205lx	141lx	94lx
Uniformity $U_0$ g1	0,67	0,65	0,65
Total number of floodlights/field	12	8	8



### 6-mast system

	FL 11 maxi pro		FL 11 maxi
	Class II	Class III	Class III
Number of floodlights per mast	2 × PL33T 2 × PL64 2 × PL33T	1 × PL33T 1 × PL64 1 × PL33T	1 × PL33T 2 × PL64 1 × PL33T
Horizontal illuminance $E_m$	209lx	107lx	95lx
Uniformity $U_0$ g1	0,72	0,7	0,67
Total number of floodlights/field	12	6	8



Illumination standards and trade association requirements	Class I	Class II	Class III
Horizontal illuminance $E_{av}$ lx	500	200	75
Uniformity $U_0$ $E_{min} / E_{av}$	0,7	0,6	0,5
GR	55	55	55
Color rendering index $R_a$	70	60	60

#### Notes on light distribution:

**PL43:** Field illumination, distribution in relation to light point height: Width 4 / depth 3

**PL33T:** Field illumination, distribution in relation to light point height: Width 3 / depth 3, with triangle distribution

**PL64:** Field illumination, distribution in relation to light point height: Width 6 / depth 4



# Game, set, match – on every tennis court.

## Putting the Floodlight FL 11 to the test

Tennis court: 35 × 35m; light point height: 10m

### 4-mast system

	FL 11 maxi pro	FL 11 maxi
	Class II	Class III
Number of floodlights per mast	2 × PL64 2 × PL64	1 × PL64 1 × PL64
Horizontal illuminance $E_m$	306lx	206lx
Uniformity $U_0$ g1	0,85	0,86
Total number of floodlights/field	8	4



Illumination standards and trade association requirements	Class I	Class II	Class III
Horizontal illuminance $E_{av}$ lx	500	300	200
Uniformity $U_0$ $E_{min} / E_{av}$	0,7	0,7	0,6
GR	50	50	55
Color rendering index $R_a$	70	60	60

**Notes on light distribution:**

**PL64:** Field illumination, distribution in relation to light point height: Width 6 / depth 4

# SITECO Connect Sports

## Professional sports



Seeing a show:  
dynamic light  
sequences for  
your successes,  
goals & wins

## Intuitively control your light game.

**One system, continuous control –  
Floodlight FL 11 offers total flexibility.**

DALI 2 and DMX RDM represent the state of the art in control technology. The open standards facilitate the setup of your very own light shows – to produce enthralling moments that will remain fixed in spectators' memories for the rest of their lives.

# SITECO Connect Sports

## Amateur sports

**Would you like to simply control your sports lighting system with a swipe of your finger?**

The SITECO Connect App turns light control into child's play and helps you save energy in the process. In short: It is the perfect way to gain maximum control of your lighting system. All it takes is a click to alter the light and meet your needs. Are you ready to get your hands on the sports lighting control system of the future?



### ... the SITECO Connect App:

- **Simple light control** by tablet or smartphone (Android or iOS)
- **No WiFi and new cabling**
- **Flexible use and configuration** based on your individual need
- **Maximum energy savings** thanks to adjustable lighting scenarios
- **Total compatibility** with all FL 11 DALI models (up to 64 × FL 11 per control unit)
- **One-time investment** – no license fee



# Floodlight FL 11 variants



**FL 11 maxi**

## Technical data

Luminous flux: up to 118,480lm  
 Power consumption: up to 950W  
 Lighting output: up to 142lm/W  
 Service lifetime: above 100,000h  
 Recommended light point height: 10m or higher

## Variants

Power (for outdoor athletic facilities)  
 Longlife (for industry and indoor uses)

## Weight

With the ECG on the bracket, 23,1kg; remote 17,2kg

## Applications

Sports fields, stadiums, arenas, airports, container terminals

## Light distribution

1 2 3 4 5 6 7



**FL 11 maxi pro**

## Technical data

Luminous flux: up to 177,720lm  
 Power consumption: up to 1,425W  
 Lighting output: up to 142lm/W  
 Service lifetime: above 100,000h  
 Recommended light point height: 16m or higher

## Variants

Power (for outdoor athletic facilities)  
 Longlife (for industry and indoor uses)

## Weight

With the ECG on the bracket, 29,4kg; remote 23,5kg

## Applications

Sports fields, stadiums, arenas, airports, container terminals

## Light distribution

1 2 3 4 5 6 7

## Optical concept

PMMA lenses

## Light colors

3,000K | 4,000K | 5,000K | 5,700K  
 Color rendering: CRI 70 | CRI 90 (5,700K only) or upon request  
 Light emission: 0%

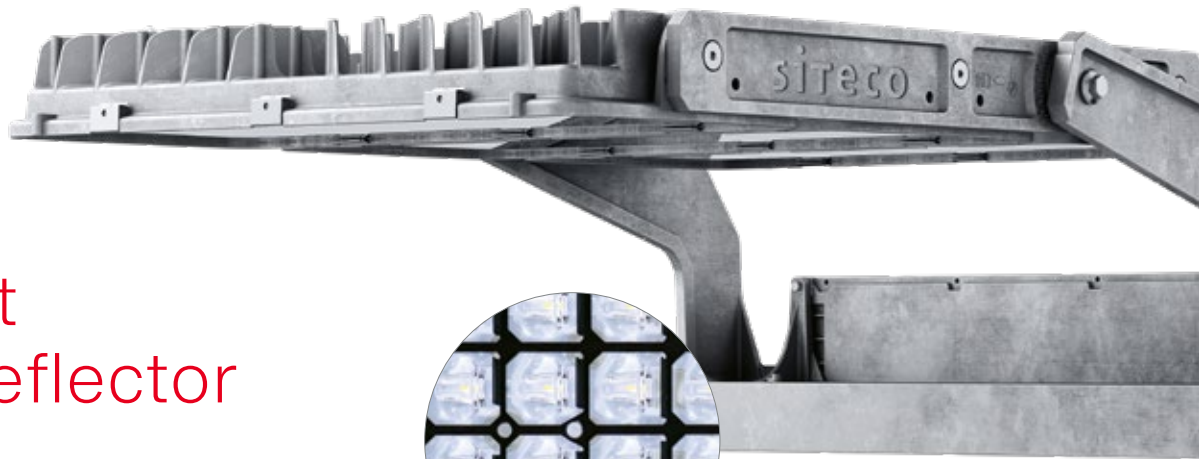
## Type of protection

IP66  
 Safety class: SK I  
 Impact resistance: IK08



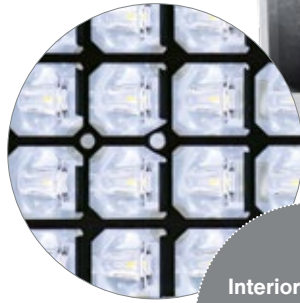
## Models at a glance

ECG on the bracket or remotely positioned up to 150m away  
 Nominal voltage: 220 ... 240V | 380 ... 400V, 50/60Hz, AC  
 DALI or DMX-RDM



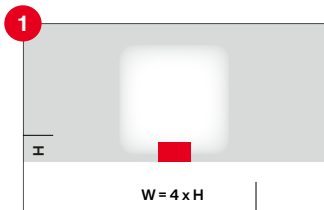
# Backlight control reflector (BLC)

Would you like to limit the amount of light distributed rearward? If so, you have to look no farther than the backlight control reflector that will enable you to pinpoint light even more precisely.

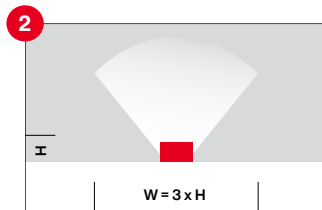


**Interior reflector:**  
No additional wind load, no static problems

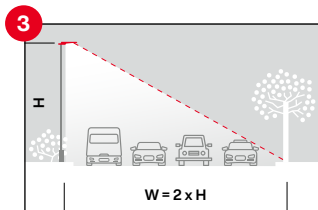
## Light distribution for FL 11 variants:



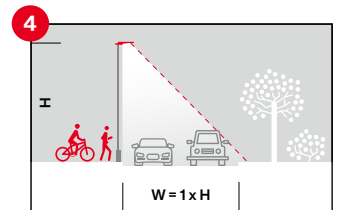
**PL64** – to narrowly distribute light on plazas



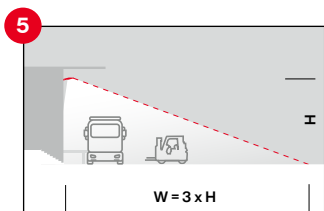
**PL33T** – to illuminate corners



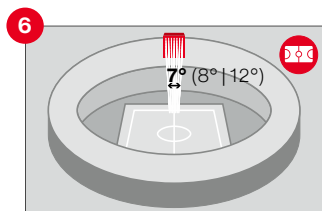
**PL52** – to illuminate wide streets and parking lots



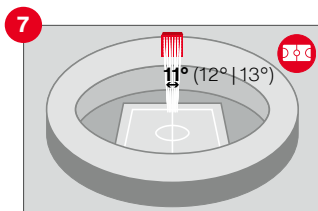
**PL61** – to illuminate streets with widely separated light points



**PL43** – to narrowly distribute light on plazas



**RS07 | RS08 | RS12** – to illuminate long distances in stadiums and halls



**RSD11 | RSD12 | RSD13** – to illuminate long distances in stadiums and halls with the maximal amount of luminous flux



## Environment protection – practiced honestly.



Is a product sustainable because it uses less energy? No. The process of manufacturing and disposing of the product has to be taken into consideration as well. That's why we manufacture the Floodlight FL 11 in Germany. In doing so, we apply a sophisticated modular concept and consciously use 0% plastic in our packaging. This is how we define **Made in Germany**.

SITECO offers:  
**Future-proof & easy maintenance**

Modules, drivers and other components can be replaced easily, sometimes even without tools – the ideal way to make repairs or add updates in no time at all. **SITECO thinks long-term.**

SITECO offers:  
**0% light emissions**

0% light in the upper atmosphere is our goal. And this is exactly what Floodlight FL 11 achieves, thanks to its asymmetric light technology. To produce a **naturally dark night sky.**

SITECO luminaires can be dimmed, activated and controlled as needed. The reduced level of light has a positive effect on the **environment and nature.**

SITECO offers:  
**Targeted lighting control**

SITECO offers:  
**Sustainable light**

From die-cast aluminum housings to the latest generations of LEDs equipped with special lighting technology that we developed ourselves – everything about SITECO is designed with **long-lasting operation and significant CO<sub>2</sub> savings** in mind.

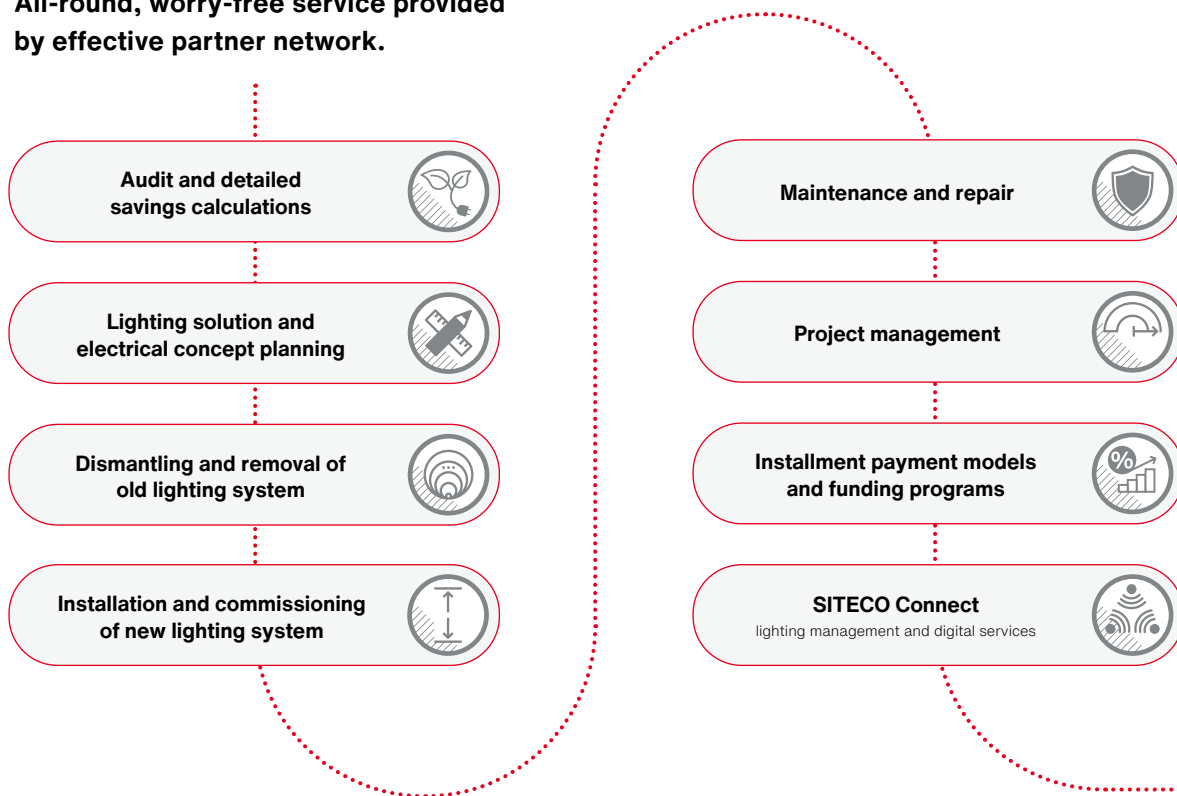
SITECO offers:  
**Environmentally friendly production and packaging**



SITECO manufactures its products in Germany in accordance with **environmental protection regulations**. This means two things: our transport routes do not extend halfway around the world, and our packaging contains **no plastic.**

# SITECO services

All-round, worry-free service provided by effective partner network.



With our service model, you get turnkey solutions from one source – from the planning, to the installation to to maintenance and financing. You have the choice: from pure lighting to the “all round carefree package”.

**SITECO is planning and development partner for your lighting solution.**

## Contact.

### Siteco GmbH

Georg-Simon-Ohm-Str. 50  
83301 Traunreut, Germany  
Tel. +49 8669 330  
sports@siteco.com

### Technical support

Tel. +49 8669 338 44  
technicalsupport@siteco.com

siteco.com