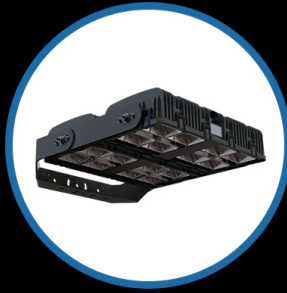


Dark Licht

powered by  LI sports
LED lighting



TEMP BROCHURE
LED LIGHTING SOLUTIONS

DARK LICHT GLARE FREE LIGHTING

The Dark Licht Series of light fittings were developed to meet the increasing market demand for optimum flexibility and efficiency in glare free cut-off flood lighting applications.

The two body types of Dark Licht light fittings share the base marine grade high pressure cast aluminium body. The wedge shape aesthetic Dark Licht is for Architectural and Commercial projects. Industrial applications use the standard Dark Licht model which has slightly higher ambient thermal performance and can have a marine application kit fitted, if required. This dynamic modular transformation is the most economical solution for industrial, commercial, and architectural lighting applications.



Unique Highly Efficient Reflector System[®]

The Patent innovative high performance reflector design maximises luminaire efficiency, providing 160 lumens per watt fixture light output.

Unique Adjustable full Cut-Off[®] from 57° to 70°

Unique patented adjustable forward asymmetric light distribution from 57° to 70°. Adjustments of the forward beam can be made by the installation contractor, pre-installation to meet the requirements of the lighting application.

Unique Modular Rotating Reflectors[®]

The square unique parabolic internal high performance reflector modules in the fitting can rotate in both directions by 90° to completely alter the light distribution of the fitting.

Unique Glare Free Optic[®]

The powerful LED light sources are concealed inside the patented highly efficient deep parabolic reflector system. Outside the full cut-off there is no light visible.

ABOUT

Dark Licht is a European Lighting Company with research and development in the Netherlands, administration in Hong Kong and manufacturing in Shanghai. We combine excellence from these regions to deliver the most cost-effective innovative luminaires to the international lighting market.

THE COMPANY

The Dark Licht Series was established in Holland's long history in the lighting industry. The Woelders family from Holland have been in lighting for two generations. The family has a deep understanding and commitment to the international lighting industry. The focus in 2017 was to research and design innovative European quality luminaires and manufacture them in their new world class DC Bright facility in Shanghai.

The combination of excellence in design and manufacturing from these two regions provides customers with economical, innovative, quality luminaires. DC Bright's production was established in 2012 in the international heavy industrial LED lighting market. As an established organisation DC Bright has positioned Dark Licht as a leading innovative lighting company in 2021. Dark Licht provides the ultimate lighting proposition in quality, performance, and value for their customers.





HIGHLY EFFICIENT REFLECTOR SYSTEM[®]

The Patent Pending[®] innovative high performance reflector design maximises luminaire efficiency, providing 160 lumens per watt fixture light output.

Unique Highly Efficient Reflector System[®]

The Dark Licht Series utilises the highest quality LED's, reflector material, electronics, and glass available worldwide. This patented break-through technology produces 160 fixture lumens per watt.

The patented unique optical / reflector system controls the light so precisely there is no light lost outside of the area of illumination. This increases the efficiency of the fitting and in many cases a lower wattage Dark Licht fitting can be used in an application.

The use of a flat glass lens seals the fitting providing a static free optical system. The much lower dust and dirt build up on the glass lens greatly improves light output of the fitting over the life of the product.

Unique Adjustable Peak Intensity[®] 45° to 65°

Simple adjustment of the reflector to change the peak intensity in the field, pre-installation. The Dark Licht has 5 adjustable forward throw settings to alter the light distribution. An Engineer or Lighting Designer can use any of the 5 settings to provide a uniform light distribution for the application. During installation there can sometimes be unforeseen variable factors that cause a problem. For example, the pole is higher, in a different location or not perfectly straight. The forward light distribution can, if needed, be altered by the installation contractor on site to accommodate small changes. The opportunity to supply on time and not have to order in alternative optics for the light fittings is removed and this reduces delays on the project.

Adjustable Light Cut-Off[®] 55° to 70°

The Dark Licht series has an adjustable 5 step forward throw reflector system. This simultaneously adjusts the light cut-off. The Dark Licht light sources are not visible outside the cut-off for both forward and side light distribution. There is no light emitted past the cut-off.

At the maximum forward throw setting of 65°, the full cut-off is 70°. The low brightness of the fitting and light cut-off is so precise past 70° that the fitting can be tilted if required a further 15° to 20° and there will be no light above 90° horizontal.



UNIQUE MODULAR ROTATING REFLECTORS®

The square unique parabolic internal high performance reflector modules in the fitting can rotate in both directions by 90° to completely alter the light distribution of the fitting. Subject to the lighting design the reflectors inside the fitting can be rotated to meet the specific lighting application requirements. This unique feature provides several light distribution options in each fitting. The unique flexibility of the Dark Light removes the requirement to order a variety of different fittings for the one project. Now with the Dark Light, only one light fitting type is required for the whole project.

For example, in a 600-watt Dark Light there are 8 modules, these modules are rotatable. A lamp can therefore consist of 2 modules to the left, 2 modules to the right and 4 modules to the front. The rotating of reflectors can only be made by authorised local Dark Light Distributors in each country.



UNIQUE GLARE-FREE OPTIC®

LED light sources are hidden in the back of the reflector system. Inside the field of view the actual light source is hidden back inside the parabolic reflector system. Outside the field of view the light source becomes invisible. This single feature provides lighting designers with confidence to install the Dark Licht and know the light fitting will not be visible by neighbouring properties near the lighting installation. This means there will be no complaints that the lights and LED light sources are visible from the general public, outside the facility.



DARK LIGHT PHOTOMETRIC PERFORMANCE[®]

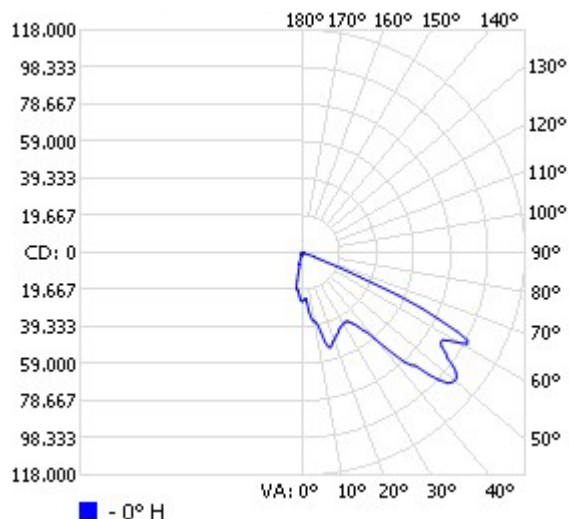
The DARK LIGHT series is adjustable in five different positions. two of these modes were tested in the lab from which we received photometric files. The information below shows these results. The results below are the results of the DL1-AC-600W-96. Because the optics and lamps are identical to each other, these results can be calculated into smaller and / or larger models.

Dark Light - Setting 1

Test date	2021 - 03 - 17
Model	DL1-AC-600W-96-S1
Power range	600W
Power factor	> 0.99
Fixed lumen output	93 682lm (600W)
Light color	5000k
CRI	> 70
Optical setting	1
Cutoff class	Full cutoff

Polar Candela Distribution - S1

Peak intensity	50°
Cutoff	70°

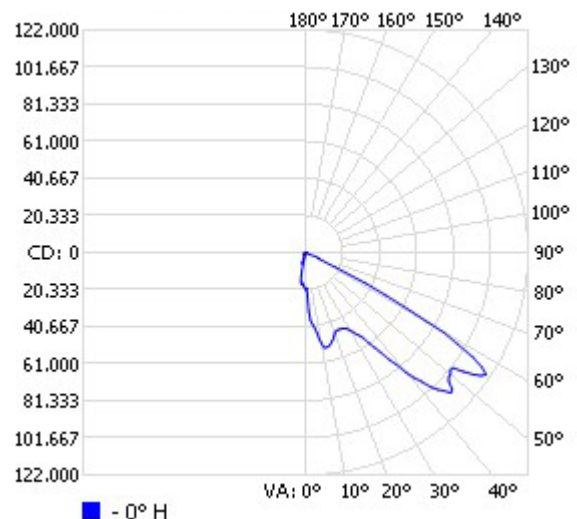


Dark Light - Setting 2

Test date	2021 - 03 - 17
Model	DL1-AC-600W-96-S2
Power range	600W
Power factor	> 0.99
Fixed lumen output	95 518lm (600W)
Light color	5000k
CRI	> 70
Optical setting	2
Cutoff class	Full cutoff

Polar Candela Distribution - S2

Peak intensity	58°
Cutoff	67°



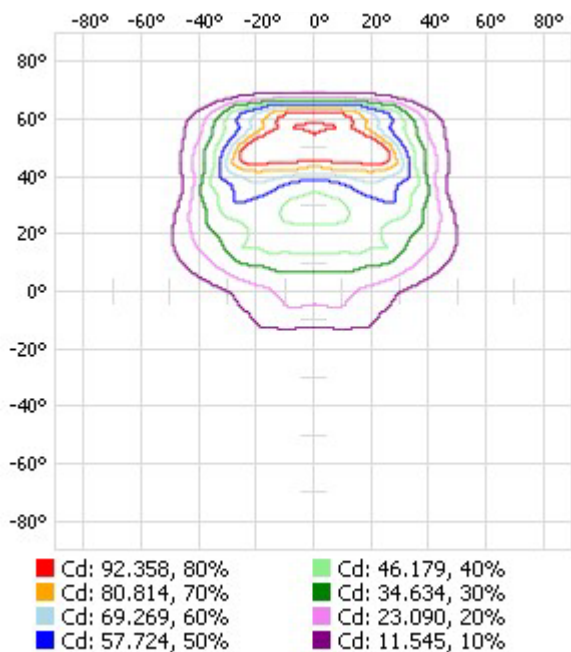
Lumens Per Zone - S1

Lumens Per Zone					
Zone	Lumens	% Total	Zone	Lumens	% Total
0-5	607.1	0.6%	90-95	0	0%
5-10	1.903.9	2.0%	95-100	0	0%
10-15	3.162.2	3.3%	100-105	0	0%
15-20	4.379.0	4.6%	105-110	0	0%
20-25	5.183.6	5.5%	110-115	0	0%
25-30	5.763.0	6.1%	115-120	0	0%
30-35	6.325.9	6.7%	120-125	0	0%
35-40	7.432.9	7.9%	125-130	0	0%
40-45	9.503.6	10.0%	130-135	0	0%
45-50	11.703.9	12.4%	135-140	0	0%
50-55	12.979.9	13.7%	140-145	0	0%
55-60	10.661.9	11.3%	145-150	0	0%
60-65	9.254.3	9.8%	150-155	0	0%
65-70	4.707.6	5.0%	155-160	0	0%
70-75	936.8	1.0%	160-165	0	0%
75-80	59.2	0.1%	165-170	0	0%
80-85	0.4	0.0%	170-175	0	0%
85-90	0	0.0%	175-180	0	0%

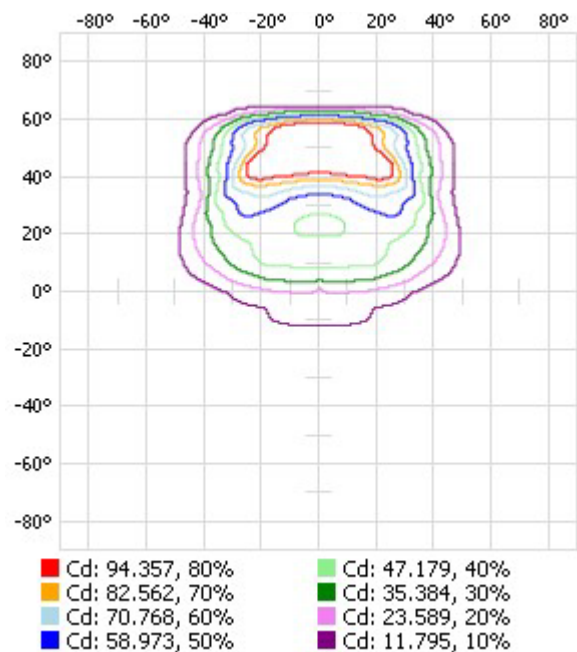
Lumens Per Zone - S2

Lumens Per Zone					
Zone	Lumens	% Total	Zone	Lumens	% Total
0-5	582.8	0.6%	90-95	0	0%
5-10	2.019.8	2.1%	95-100	0	0%
10-15	3.512.9	3.6%	100-105	0	0%
15-20	4.591.6	4.8%	105-110	0	0%
20-25	5.372.0	5.6%	110-115	0	0%
25-30	6.130.5	6.4%	115-120	0	0%
30-35	7.380.8	7.7%	120-125	0	0%
35-40	9.322.0	9.7%	125-130	0	0%
40-45	11.723.9	12.2%	130-135	0	0%
45-50	13.755.6	14.3%	135-140	0	0%
50-55	12.319.5	12.8%	140-145	0	0%
55-60	11.375.2	11.8%	145-150	0	0%
60-65	6.666.0	6.9%	150-155	0	0%
65-70	1.480.4	1.5%	155-160	0	0%
70-75	208.2	0.2%	160-165	0	0%
75-80	5.4	0.0%	165-170	0	0%
80-85	0	0.0%	170-175	0	0%
85-90	0	0.0%	175-180	0	0%

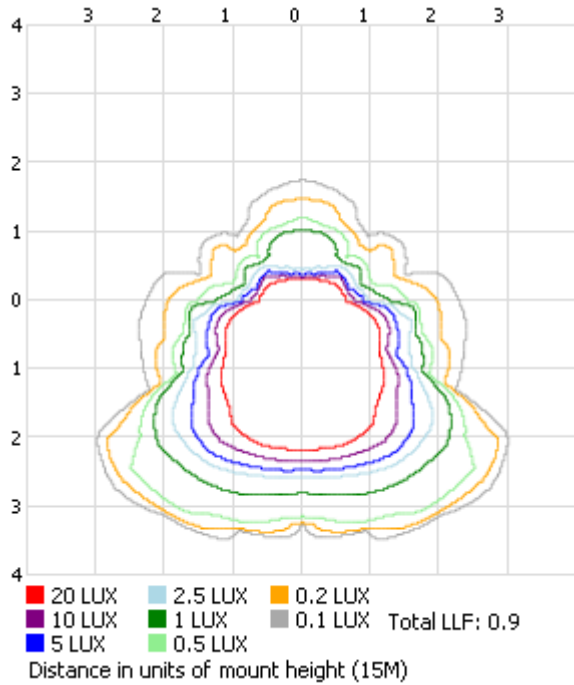
IsoCandala Plot - S1



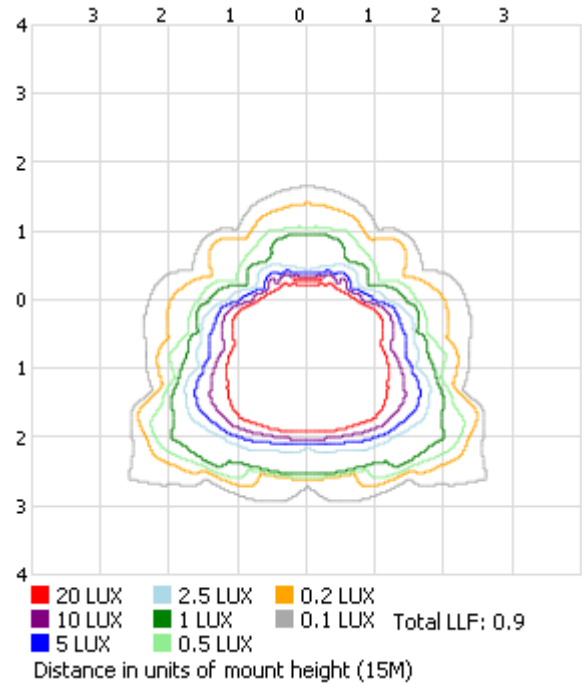
IsoCandala Plot - S2



IsoLux Plot - S1



IsoLux Plot - S2



PHOTOMETRIC PERFORMANCE[®]

The DARK LIGHT series is adjustable in five different positions. two of these modes were tested in the lab from which we received photometric files. The information above shows these results. The results below are the results of the DL1-AC-600W-100. Because the optics and lamps are identical to each other, these results can be calculated into smaller and / or larger models.



1. OPEN LUMINAIRE DESIGN

The Dark Licht high pressure 7mm thick aluminium casting was designed specifically to produce a “thermal chimney” effect and dramatically improve cooling. Air is drawn through specific zones in the castings that cool the fitting and improve light output and reliability.

2. LOW WIND RATING

The Dark Licht has a very narrow profile and reduced “sail area”. The smaller size and lower wind rating reduces pole costs on new installations.

3. DARK LIGHT PATENTED MODULES

The Dark Licht has 5 ground breaking features:

1. Unique Highly Efficient Reflector System®
2. Unique adjustable forward light distribution full cut-off® from 57° to 70°
3. Unique Modular Rotating Reflectors®
4. Unique Glare Free Optic®
5. Unique capability to tilt the fitting 15° above horizontal and produce Full Cut-Off. This increases the forward full cut-off range from 57° \leftrightarrow 70° to 72° \leftrightarrow 85°.

Those features are unique due to the fact there is not a single light which could match those specifications.

4. HIGH EFFICIENT LED'S

The Dark Licht Series comes standard with the highest quality 3 step MacAdam Ellipse 5,000k LED's and is available with different light color if specified.

5. MOUNTING BRACKET

Universal mounting bracket, fits most standardised poles and got the option to mount the luminaire under swing.

6. DRIVER BOX

The external pressure cast aluminium driver box can be attached on the back of the Dark Licht. The external box could also be placed on the bottom of the pole or elsewhere.

7. LIGHT ANGLE ADJUSTMENT

The Dark Licht Series is designed to face downwards in the horizontal position. The low brightness and sharp cut off the optical systems allows the Dark Licht to be tilted up 15° above horizontal and still provide full cut-off at 90°.

8. HIGH EFFICIENCY THERMAL MANAGEMENT

- Passive thermal cooling management
- Active thermal control system
- Optimal airflow due to open space between lights
- Improves lumen performance and reliability

9. JUNCTION BOX

- Simply connect all cables inside J-Box
- Fitted with an breather
- All cables and glands are protected by a shield

DARK LIGHT STANDARD MODELS

DARK LIGHT ONE

Available versions:

320W 51 000 lm	400W 64 000 lm	600W 96 000 lm
-------------------	-------------------	-------------------



DARK LIGHT TWO

Available versions:

800W 128 000 lm	1200W 192 000 lm
--------------------	---------------------



DARK LIGHT THREE

Available versions:

1800W 288 000 lm



PERFORMANCE SUMMARY

Highly Efficient Reflector System[®]

Modular Rotating Reflector System[®]

Adjustable Full Cut-Off[®] from 55° to 70°

Glare Free Optic[®] from 55° to 70°

CRI: Standard: >70 CRI | Optional: >80 CRI, >90 CRI

Limited Warranty: 7 Years on luminaire

CCT: Standard: 5000K | Optional: 2200K, 2700K, 4000K

Fixture Weight: Weight per model in spec sheet

Dutch Design.

DARK LIGHT ONE

Designed in Europe to meet the demanding requirements of Urban living within residential communities. The Dark Light One - 600w LED light fitting delivers 96,000 lumens.

There are numerous flood lighting applications, from illuminating airports, car parks, retail facilities, sporting facilities, through to industrial areas, ports, stockpiles and storage yards.

DARK LIGHT ONE SPECIFICATIONS

PRODUCT SPECIFICATIONS

Brand	Dark Light
Model	DL1-AC-320W-51 DL1-AC-400W-64 DL1-AC-600W-96
Limited warranty	7 Years

ELECTRICAL

Power range	320W (internal driver) 400W (internal driver) 600W (external driver)
Voltage range	90-305Vac / 127-420Vdc (320W) 180-528Vac / 250-740Vdc (600W, 320W on request)
Frequency	50 / 60 Hz
Power factor	> 0.9

PERFORMANCE

Fixed lumen output	51 000lm (320W) 64 000lm (400W) 96 000 lm (600W)
Fixture lumen efficiency	160 lm/W
Diming input	0 - 10V
Temperature control	Yes
Light distribution	Asymmetrical - adjustable cut-off
Light adjustment range	57° - 70° Full cut-off
CRI	Standard: >70 Optional: >80, >90
LED chip binning	3 Step MacAdam Ellipse LED's
Light color:	Standard: 5000k Optional: 2200k, 2700k, 4000k

Driver options	Internal driver (320W & 400W) Remote or rear mounted (600W)
Operation temp range	-40°C ~ +50°C
Expected life span	320W LM80 - 82 241 hrs 400W LM80 - 196 013 hrs 600W LM80 - 196 030 hrs
Waterproof rating	IP67
Impact rating	IK07
Wireless control system	Estimated release 2021

MATERIALS

Lamp body	Aluminium alloy
Driver box	Aluminium alloy
Mounting arm	High tensile steel
Hardware	304 Stainless steel
Paint	Conversion coating + 2 layers titanium based e-coating (grey)

SIZE & WEIGHT

Lamp dimension Industrial	365 x 550 x 160 mm
Lamp dimension Architect	445 x 550 x 160 mm
Driver dimension	450 x 300 x 140 mm
Lamp weight Industrial	14.9 kg 320W (internal driver) 15.5 kg 400W (internal driver) 13.9 kg 600W
Lamp weight Architect	16.0 kg 320W (internal driver) 16.6 kg 400W (internal driver) 15.0 kg 600W
Driver weight	8.6 kg (600W)

DARK LIGHT ONE BRACKET OPTIONS

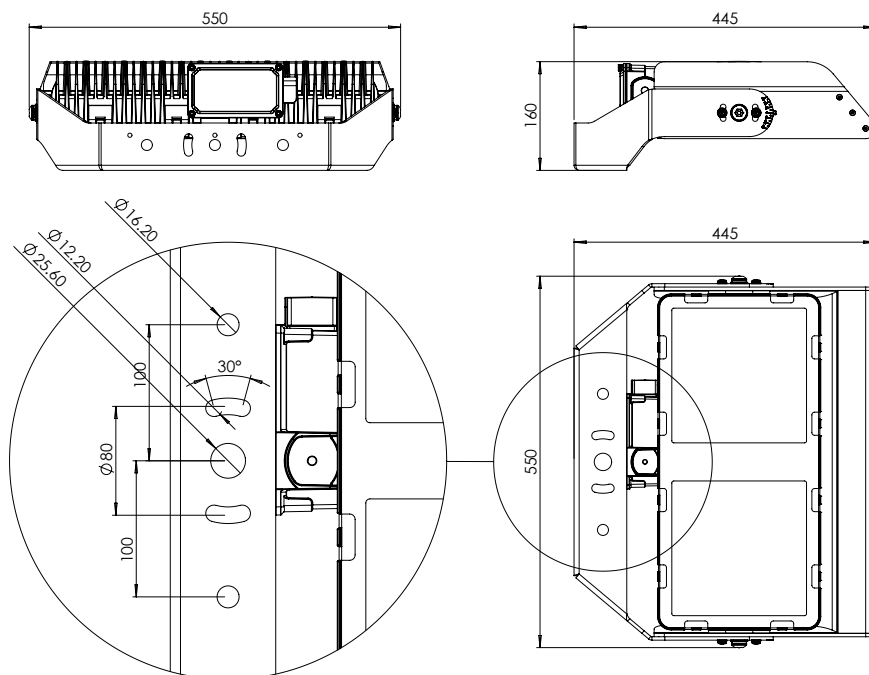
INDUSTRIAL



ARCHITECTURAL



DARK LIGHT ONE MEASUREMENTS



DARK LIGHT TWO

Designed in Europe to meet the demanding requirements of Urban living within residential communities. The Dark Licht Two - 1200w LED light fitting delivers 192,000 lumens.

There are numerous flood lighting applications, from illuminating airports, car parks, retail facilities, sporting facilities, through to industrial areas, ports, stockpiles and storage yards.

DARK LIGHT TWO SPECIFICATIONS

PRODUCT SPECIFICATIONS

Brand	Dark Licht
Model	DL2-AC-800W-128 DL2-AC-1200W-192
Limited warranty	7 Years

ELECTRICAL

Power range	800W (internal driver) 1200W (external driver)
Voltage range	180-528Vac / 250-740Vdc
Frequency	50 / 60 Hz
Power factor	> 0.9

PERFORMANCE

Fixed lumen output	128 000 lm (800W) 192 000 lm (1200W)
Fixture lumen efficiency	160 lm/W
Diming input	0 - 10V
Temperature control	Yes
Light distribution	Asymmetrical - adjustable cut-off
Light adjustment range	57° - 70° Full cut-off
CRI	Standard: >70 Optional: >80, >90
LED chip binning	3 Step MacAdam Ellipse LED's
Light color:	Standard: 5000k Optional: 2200k, 2700k, 4000k
Driver options	Remote or rear mounted
Operation temp range	-40°C ~ +50°C

Expected life span	800W LM80 - 196 013 hrs 1200W LM80 - 196 030 hrs
Waterproof rating	IP67
Impact rating	IK07
Wireless control system	Estimated release 2021

MATERIALS

Lamp body	Aluminium alloy
Driver box	Aluminium alloy
Mounting arm	High tensile steel
Hardware	304 Stainless steel
Paint	Conversion coating + 2 layers titanium based e-coating (grey)

SIZE & WEIGHT

Lamp dimension Industrial	635 x 550 x 160 mm
Lamp dimension Architect	715 x 550 x 160 mm
Driver dimension	450 x 300 x 140 mm
Lamp weight Industrial	28.0 kg 800W (internal driver) 24.8 kg 1200W
Lamp weight Architect	28.2 kg 800W (internal driver) 25.0 kg 1200W
Driver weight	10.8 kg (1200W)

DARK LIGHT TWO BRACKET OPTIONS

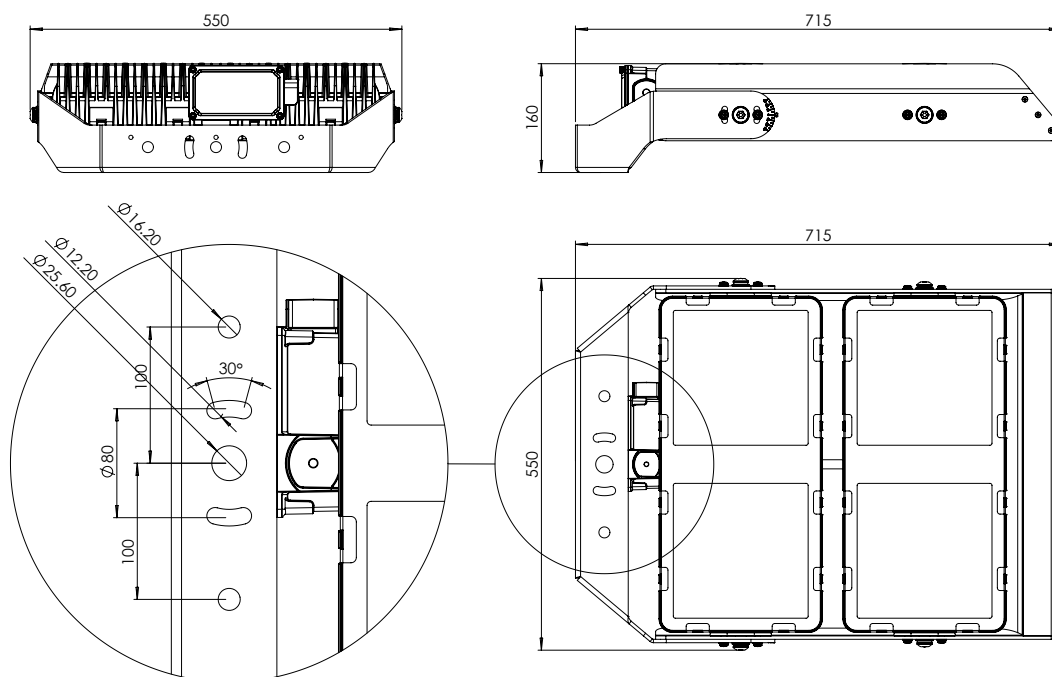
INDUSTRIAL



ARCHITECTURAL



DARK LIGHT TWO MEASUREMENTS



DARK LIGHT THREE

Designed in Europe to meet the demanding requirements of Urban living within residential communities. The Dark Light Three - 1800w LED light fitting delivers 288,000 lumens.

There are numerous flood lighting applications, from illuminating airports, car parks, retail facilities, sporting facilities, through to industrial areas, ports, stockpiles and storage yards.

DARK LIGHT THREE SPECIFICATIONS

PRODUCT SPECIFICATIONS

Brand	Dark Light
Model	DL3-AC-1800W-288
Limited warranty	7 Years

ELECTRICAL

Power range	1800W (external driver)
Voltage range	180-528Vac / 250-740Vdc
Frequency	50 / 60 Hz
Power factor	> 0.9

PERFORMANCE

Fixed lumen output	288 000 lm (1800W)
Fixture lumen efficiency	160 lm/W
Diming input	0 - 10V
Temperature control	Yes
Light distribution	Asymmetrical - adjustable cut-off
Light adjustment range	57° - 70° Full cut-off
CRI	Standard: >70 Optional: >80, >90
LED chip binning	3 Step MacAdam Ellipse LED's
Light color:	Standard: 5000k Optional: 2200k, 2700k, 4000k
Driver options	Remote or rear mounted
Operation temp range	-40°C ~ +50°C
Expected life span	1800W LM80 - 196 030 hrs

Waterproof rating	IP67
Impact rating	IK07
Wireless control system	Estimated release 2021

MATERIALS

Lamp body	Aluminium alloy
Driver box	Aluminium alloy
Mounting arm	High tensile steel
Hardware	304 Stainless steel
Paint	Conversion coating + 2 layers titanium based e-coating (grey)

SIZE & WEIGHT

Lamp dimension Industrial	905 x 550 x 160 mm
Lamp dimension Architect	985 x 550 x 160 mm
Driver dimension	450 x 300 x 140 mm
Lamp weight Industrial	35.6 kg
Lamp weight Architect	35.0 kg
Driver weight	13.0 kg (1800W)

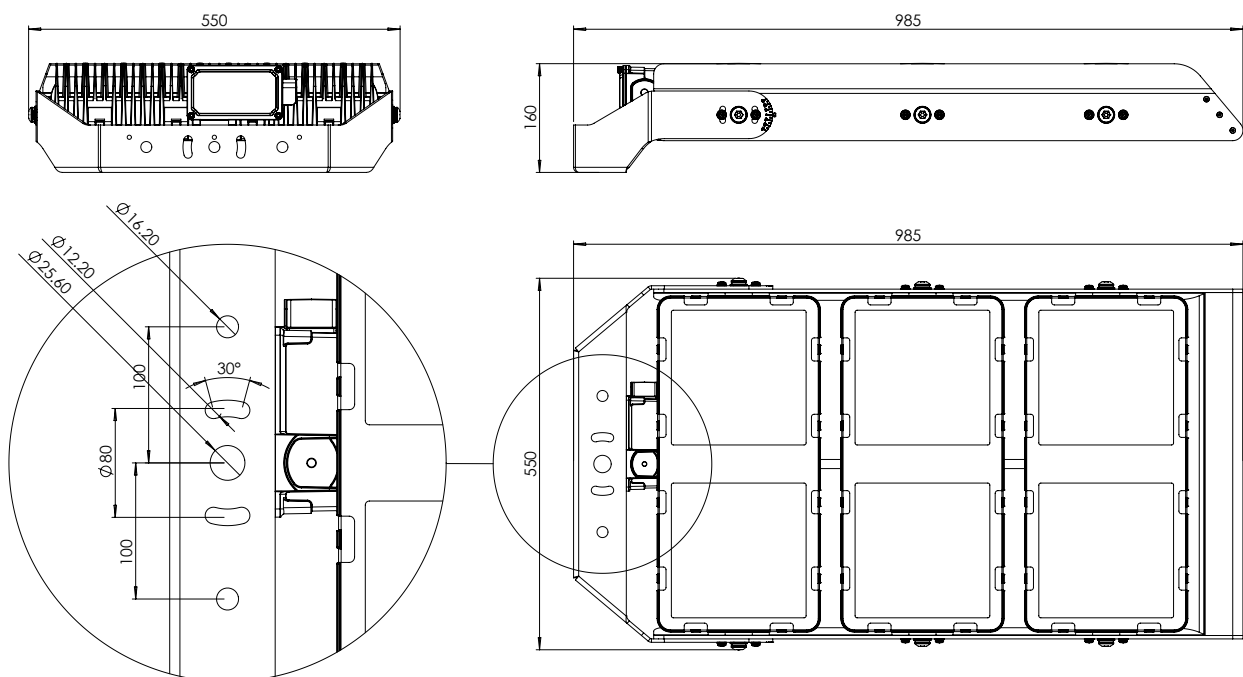
DARK LIGHT THREE BRACKET OPTIONS

INDUSTRIAL

ARCHITECTURAL



DARK LIGHT THREE MEASUREMENTS



DARK LIGHT CLASS II MODELS

DARK LIGHT ONE

Available versions:

320W	480W
51 000 lm	77 000 lm



DARK LIGHT TWO

Available versions:

640W	960W
102 000 lm	154 000 lm



PERFORMANCE SUMMARY

Highly Efficient Reflector System[®]

Modular Rotating Reflector System[®]

Adjustable Full Cut-Off[®] from 55° to 70°

Glare Free Optic[®] from 55° to 70°

CRI: Standard: >70 CRI | Optional: >80 CRI, >90 CRI

Limited Warranty: 7 Years on luminaire

CCT: Standard: 5000K | Optional: 2200K, 2700K, 4000K

Fixture Weight: Weight per model in spec sheet

Dutch Design.

DARK LIGHT ONE CLASS II

Designed in Europe to meet the demanding requirements of Urban living within residential communities. The Dark Light One - 480w LED light fitting delivers 77,000 lumens.

There are numerous flood lighting applications, from illuminating airports, car parks, retail facilities, sporting facilities, through to industrial areas, ports, stockpiles and storage yards.

DARK LIGHT ONE CLASS II SPECIFICATIONS

PRODUCT SPECIFICATIONS

Brand	Dark Licht
Model	DL1-AC-320W-51 DL1-AC-480W-77
Limited warranty	7 Years

ELECTRICAL

Power range	320W (internal driver Class II) 480W (external driver Class II)
Voltage range	90-305Vac / 127-420Vdc
Frequency	50 / 60 Hz
Power factor	> 0.9

PERFORMANCE

Fixed lumen output	51 000lm (320W) 77 000 lm (480W)
Fixture lumen efficiency	160 lm/W
Diming input	0 - 10V
Temperature control	Yes
Light distribution	Asymmetrical - adjustable cut-off
Light adjustment range	57° - 70° Full cut-off
CRI	Standard: >70 Optional: >80, >90
LED chip binning	3 Step MacAdam Ellipse LED's
Light color:	Standard: 5000k Optional: 2200k, 2700k, 4000k
Driver options	Internal driver (320W) Remote or rear mounted (480W)

Operation temp range	-40°C ~ +50°C
Expected life span	320W LM80 - 82 241 hrs 480W LM80 - 196 013 hrs
Waterproof rating	IP67
Impact rating	IK07
Wireless control system	Estimated release 2021

MATERIALS

Lamp body	Aluminium alloy
Driver box	Aluminium alloy
Mounting arm	High tensile steel
Hardware	304 Stainless steel
Paint	Conversion coating + 2 layers titanium based e-coating (grey)

SIZE & WEIGHT

Lamp dimension Industrial	365 x 550 x 160 mm
Lamp dimension Architect	445 x 550 x 160 mm
Driver dimension	450 x 300 x 140 mm
Lamp weight Industrial	14.9 kg 320W (internal driver) 13.9 kg 480W
Lamp weight Architect	16.0 kg 320W (internal driver) 15.0 kg 480W
Driver weight	8.0 kg (480W)

DARK LIGHT ONE CLASS II BRACKET OPTIONS

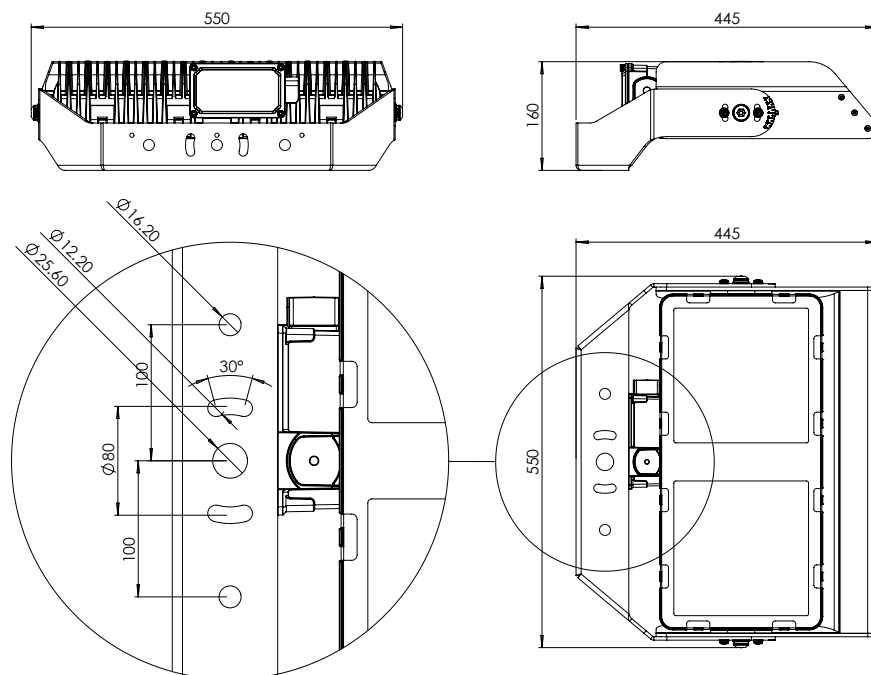
INDUSTRIAL



ARCHITECTURAL



DARK LIGHT ONE CLASS II MEASUREMENTS



DARK LIGHT TWO CLASS II

Designed in Europe to meet the demanding requirements of Urban living within residential communities. The Dark Light Two - 960w LED light fitting delivers 154,000 lumens.

There are numerous flood lighting applications, from illuminating airports, car parks, retail facilities, sporting facilities, through to industrial areas, ports, stockpiles and storage yards.

DARK LIGHT TWO CLASS II SPECIFICATIONS

PRODUCT SPECIFICATIONS

Brand	Dark Light
Model	DL2-AC-640W-102 DL2-AC-960W-154
Limited warranty	7 Years

ELECTRICAL

Power range	640W (internal driver Class II) 960W (external driver Class II)
Voltage range	90-305Vac / 127-420Vdc
Frequency	50 / 60 Hz
Power factor	> 0.9

PERFORMANCE

Fixed lumen output	102 000 lm (640W) 154 000 lm (960W)
Fixture lumen efficiency	160 lm/W
Diming input	0 - 10V
Temperature control	Yes
Light distribution	Asymmetrical - adjustable cut-off
Light adjustment range	57° - 70° Full cut-off
CRI	Standard: >70 Optional: >80, >90
LED chip binning	3 Step MacAdam Ellipse LED's
Light color:	Standard: 5000k Optional: 2200k, 2700k, 4000k
Driver options	Remote or rear mounted

Operation temp range	-40°C ~ +50°C
Expected life span	640W LM80 - 82 241 hrs 960W LM80 - 196 013 hrs
Waterproof rating	IP67
Impact rating	IK07
Wireless control system	Estimated release 2021

MATERIALS

Lamp body	Aluminium alloy
Driver box	Aluminium alloy
Mounting arm	High tensile steel
Hardware	304 Stainless steel
Paint	Conversion coating + 2 layers titanium based e-coating (grey)

SIZE & WEIGHT

Lamp dimension Industrial	635 x 550 x 160 mm
Lamp dimension Architect	715 x 550 x 160 mm
Driver dimension	450 x 300 x 140 mm
Lamp weight Industrial	26.8 kg 640W (internal driver) 24.8 kg 960W
Lamp weight Architect	27.0 kg 640W (internal driver) 25.0 kg 960W
Driver weight	9.6 kg (960W)

DARK LIGHT TWO CLASS II BRACKET OPTIONS

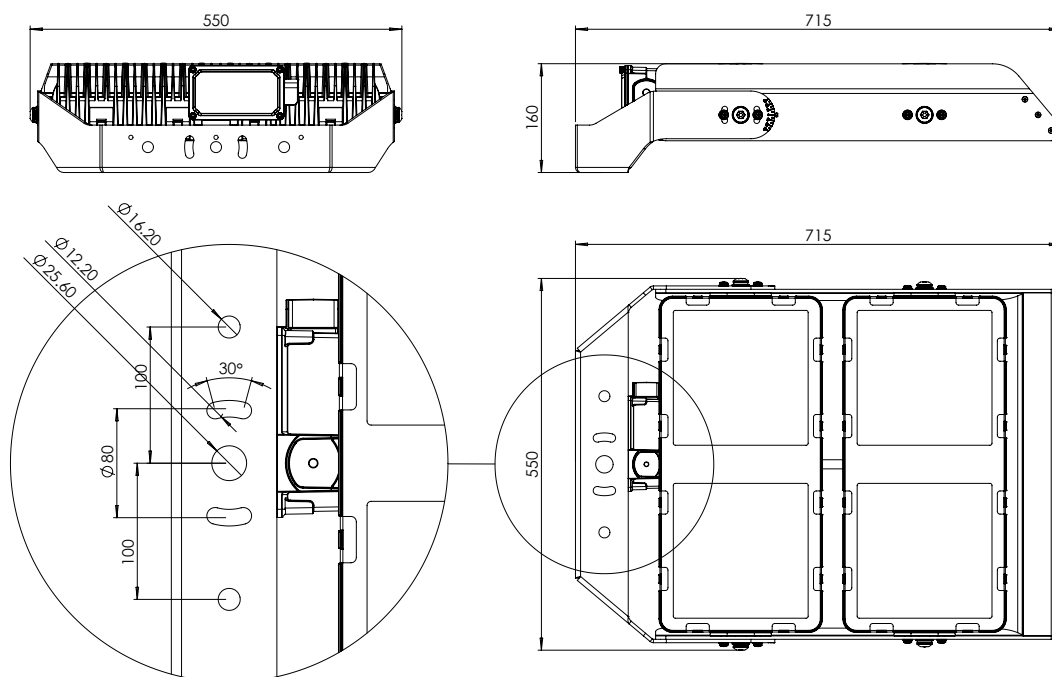
INDUSTRIAL



ARCHITECTURAL



DARK LIGHT TWO CLASS II MEASUREMENTS



DARK LIGHT DRIVER BOX

Designed in Europe to meet the demanding requirements of urban living and industrial applications. The Dark Licht driver box is a solid and robust box in which the drivers are well protected. The box is specially designed so that the installer can easily access the connections without having to open the entire box. Ideal in high and demanding locations.

The Dark Licht driver box is ideal for use with our Dark Licht series. The driver box can be connected to the lamp but can also be placed remotely.

DARK LIGHT DRIVER BOX SPECIFICATIONS

PRODUCT SPECIFICATIONS

Brand	Dark Licht
Model	Drive Box
Waterproof rating	IP67
Limited warranty	7 Years

ELECTRICAL

Power range Class I	320W, 600W, 1200W, 1800W, 2400W
Power range Class II	320W, 480W, 960W, 1440W, 1920W
Voltage input range	90-305Vac / 127-420Vdc 180-528Vac / 250-740Vdc
Frequency	50 / 60 Hz
Power factor	> 0.9

MATERIALS

Driver box	Aluminium alloy
Cable gland	304 Stainless steel
Mounting bracket	High tensile steel
Hardware	304 Stainless steel
Paint	Conversion coating + 2 layers titanium based e-coating (grey)

SIZE & WEIGHT

Driver dimension	450 x 300 x 140 mm
Driver weight 480W	8.0 kg
Driver weight 600W	8.6 kg
Driver weight 960W	9.6 kg
Driver weight 1200W	10.8 kg
Driver weight 1440W	11,2 kg
Driver weight 1800W	13.0 kg
Driver weight 1920W	12,8 kg
Driver weight 2400W	15.2 kg

DARK LIGHT DRIVER BOX BRACKET OPTIONS

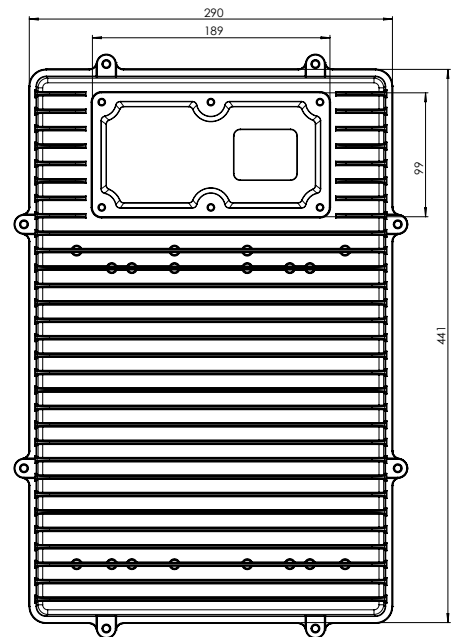
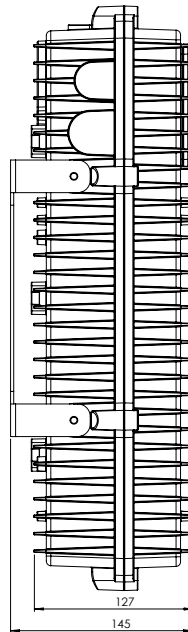
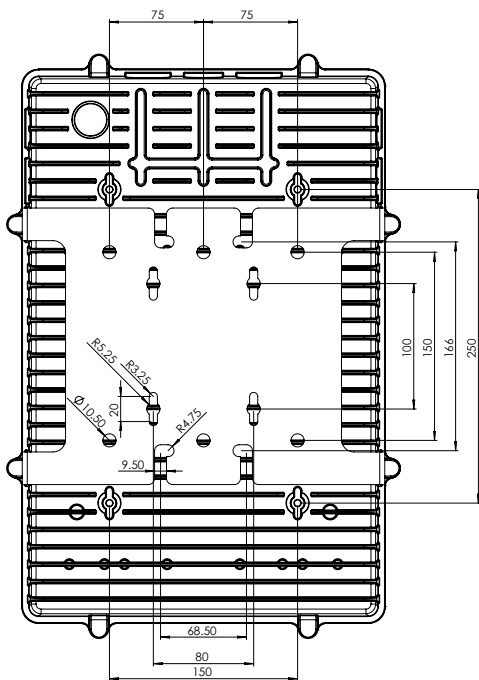
REAR MOUNTED



REMOTE DRIVER



DARK LIGHT DRIVER BOX MEASUREMENTS



Dark Licht

GLARE FREE LIGHTING

BY  **LI sports**
LED lighting



LI sports
LED lighting

Official distributor

e-mail: info@li-sports.com

phone: 0113 - 405 616

Website: www.li-sports.com