



# ITALTOWER®

HEAVY DUTY LIGHTING TOWERS

## Full Solar

4x100 W LED | 7m



LOW EMISSIONS LIGHTING TOWERS

# Full Solar 4x100 W LED | 7m

The Full Solar guarantees long autonomous lighting without CO<sup>2</sup> emissions and noise. This solar panel light pole is ready for use within a few minutes. The light pole is charged with efficient monocrystal solar panels or with a plug. This light pole is the ideal solution for long-term autonomous lighting.



## Events

Long-term autonomy, none emissions and noise.



## Rental

Easy to use, long autonomy, no fuel.



## Build

Durable, robust and ideal for long-lasting autonomous lighting.

AUTONOMY

LIGHT SURFACE

COST SAVINGS

FOOTPRINT



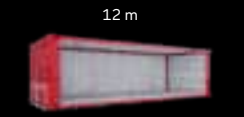
**o.a.**



13,5 m



**15x**



12 m



### LED LAMPS

High-quality IP67 LED lamps with aluminum housing

### SOLAR PANEL

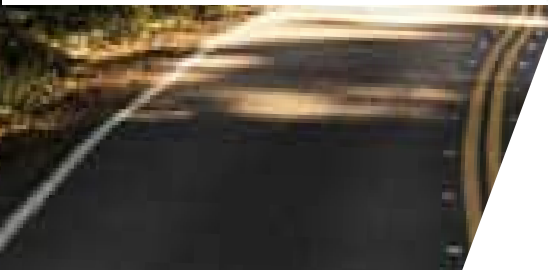
4 efficient monocrystal solar panels

### LIFTING

Galvanized mast with heavy lifting up to 7 meters height.

### STABILIZERS

4+1 stabilizers for optimal stabilization.  
Narrow wheels ensure easy movement.





### Lighting

Lampen	4x 100W LED
Lumen	55000
Illuminated area	2500 m <sup>2</sup>

### Technical specifications

Frequency	50 of 60 Hz
Voltage	220 of 110 volt

### Solar Panels

Type	Monocrystal Silicon
Number of panels	4
Wattage per piece	305 Watt
Tilt	0 - 25 degrees (manuel)
Controller	MPPT

### Batteries

Type	AGM 2 pieces
Power	24 Volt 260 Ah
Charger	Built-in
Battery-status	Status indicator

### Mast

Height	7 meter
Lifting	Manuel / Hydraulic
Permissible wind speed	110 km/hour

### Trailer

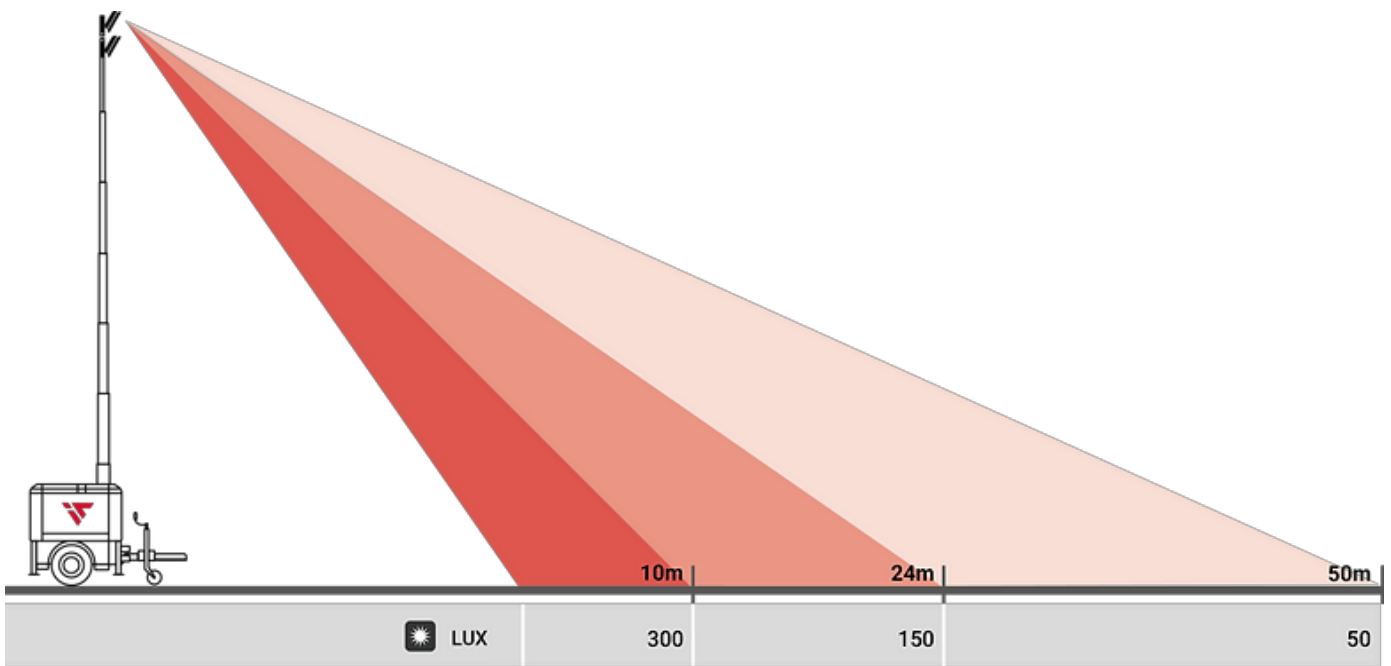
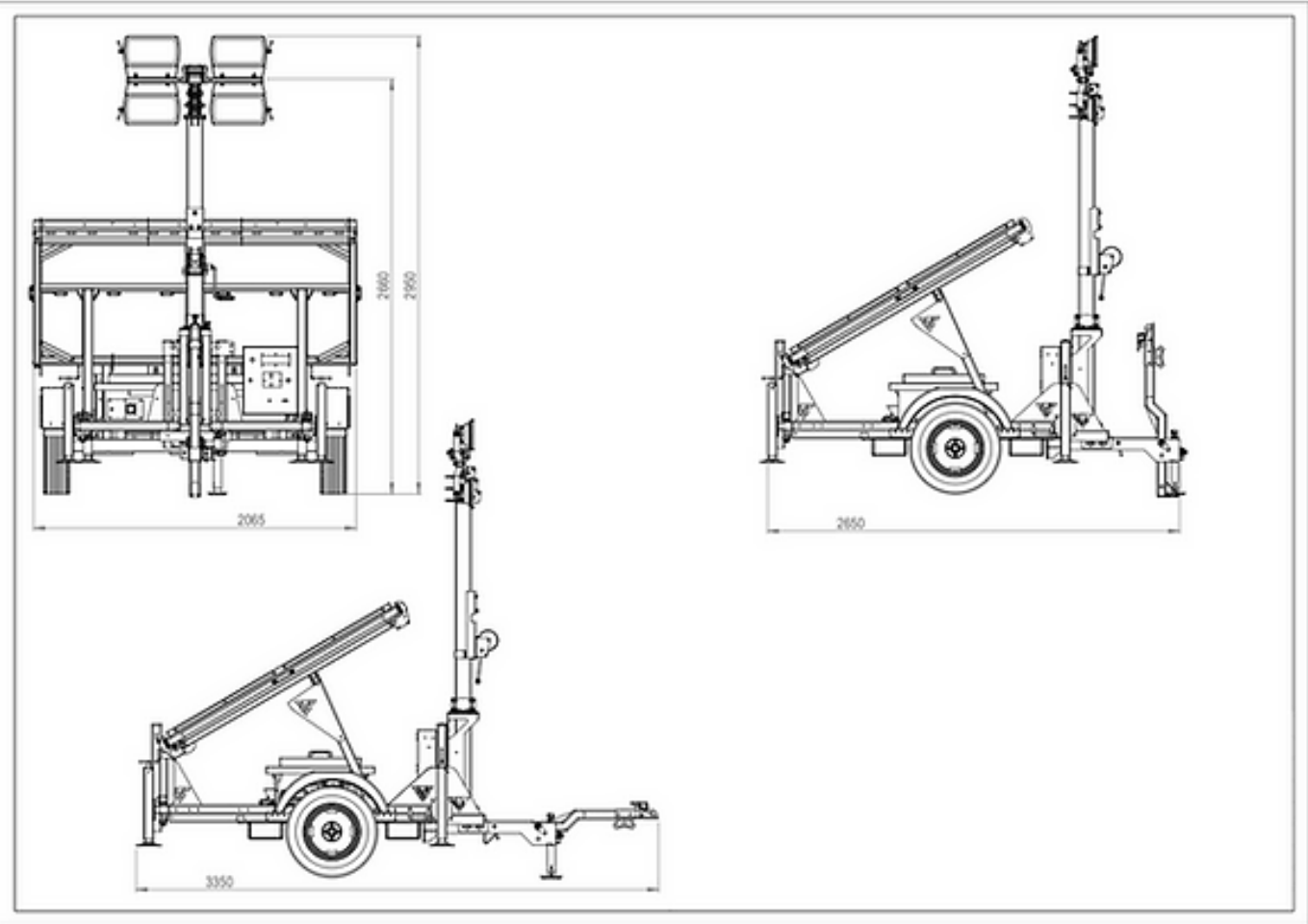
Trailer	Slow-trailer for off-road use
Tyres	155/80R13
Stabilizers	4 + 1 (on trailer)
Casing	Powder coated

### Dimensions

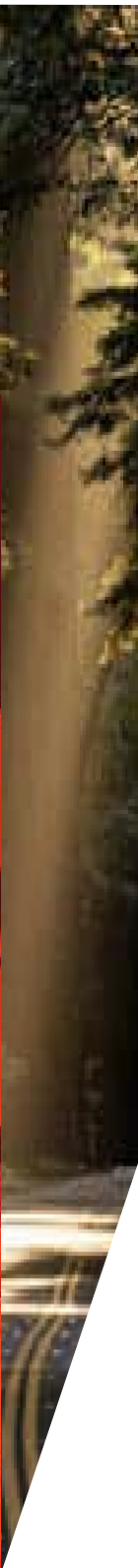
Dimensions retracted	2100 x 2100 x 2500 mm.
Weight	800 kg.
Container 40'	15 units (partially assembled)

### Other

Temperature	-40 / +50
Noise level	0 dB
Standard options	Day-night sensor



**Illuminated area 2500 m<sup>2</sup>**





**ITALTOWER®**

**HEAVY DUTY LIGHTING TOWERS**

**Diaber Benelux  
Schaapherderweg 3d  
2988CK Ridderkerk  
T: +31 (0) 180 418 113  
E: [info@diaber.com](mailto:info@diaber.com)  
W: [www.diaber.nl](http://www.diaber.nl)**