

AIR-C6

Passive
installation speaker



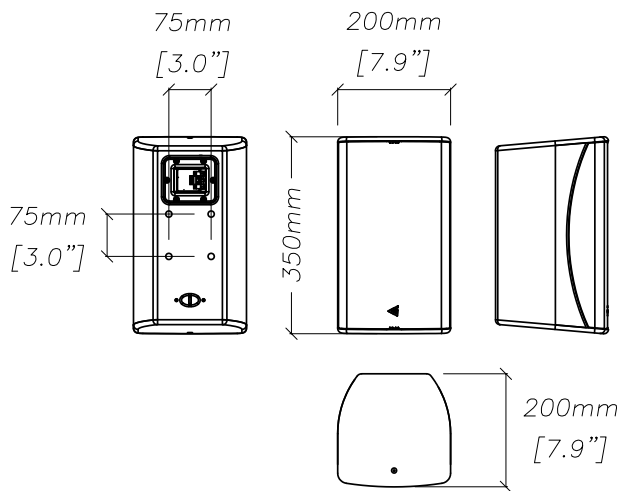
AIR-C series sets a new standard for small-format permanent installations for retail, entertainment, malls, and club settings. With a rich Hi-Fi sound quality and solid SPL performance AIR-C speakers are nevertheless compact, easy to install and tune, and fully customizable.

The secret of the series' ultimate performance is low distortion high-performing transducers and a proprietary Polycomp® wood/polyurethane composite cabinet technology. It allowed for the special cabinet form that eliminates internal standing waves. Not only that, the composite dramatically reduces the cabinet resonances itself, bringing clarity and intelligibility to a whole new level.

Packing the powerful punch, AIR-C6 is based on a 6,5" woofer and an HF driver on a rotatable horn. It is compatible with horizontal and vertical adjustable mountings and is available in 8 and 16 Ohm versions for optimal wiring and amplifier connection.



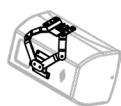
DIMENSIONS



ACCESSORIES

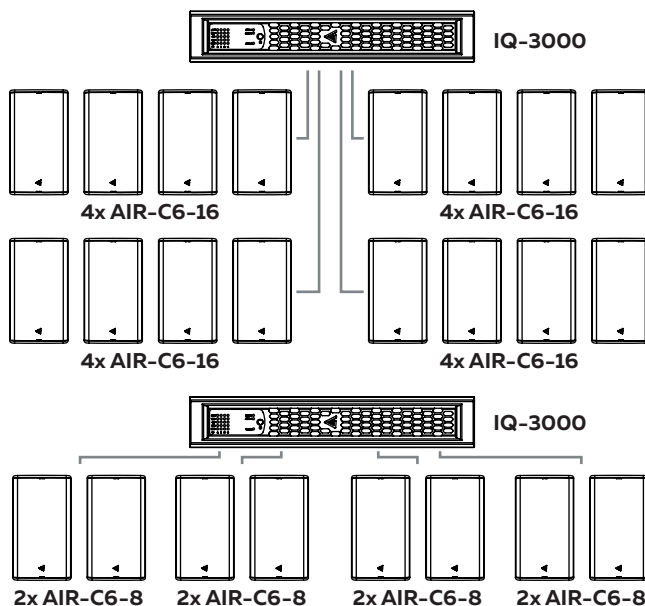


AIR-WL
Wall mounting
for AIR-C6



AIR-CL
Ceiling mounting
for AIR-C6

AMPLIFICATION



SPECIFICATIONS

Frequency Response (-10dB)	80 - 20000 Hz
Max SPL ¹	125 dB
Sensitivity (1W/1m)	91 dB
LF driver	6,5", 1,75" VC
HF driver	0,75" throat, 1,35" VC
Nominal coverage angle	90° x 60°, rotatable horn
Impedance	8 Ohm (AIR-C6-8) 16 Ohm (AIR-C6-16)
Nominal power ²	150 W
Connectors	Phoenix
Dimensions (W x H x D)	350 x 200 x 200 mm 13,78" x 7,87" x 7,87"
Weight net / shipping	6,4 kg / 7,2 kg 14,1 lbs / 15,9 lbs
Mounting	VESA 75 x 75 Safety mounting point
Weather protection	IP54 rated
Enclosure material	Polycomp®, wear-resistant paint
Speaker protection	Steel grill, acoustically transparent backing

¹ - pink noise, filtered according to AES 2 - 2012, crest factor 12 dB
² - based on transducer power measured according to AES 2 - 2012

CONNECTIONS

Signal +	+ terminal
Signal -	- terminal
HPF frequency, no less than	90 Hz
HPF order, no less than	18 dB/oct
Recommended amplifier power	150 - 300 W on nominal impedance

SAFETY INSTRUCTIONS

1. Keep liquids, direct sunlight, open flames, and heat sources away from the speaker system to prevent damage or failure.
2. Avoid using the system with damaged connectors or cables to prevent electrical shock or fire hazards.
3. Ensure the speaker is securely positioned on a stable surface (floor, stage, or wall).
4. On angled or slippery surfaces, secure the system to prevent movement caused by vibration.
5. Limit exposure to sound levels above 90 dB to prevent potential hearing damage.
6. Use a high-pass filter (HPF) to eliminate low, non-audible frequencies and avoid speaker damage and sound distortion.
7. Do not exceed the input power ratings specified to ensure safe and reliable operation of the speaker system.