

THE SIGHT GLASS



The Luneta Sight Glass is a 3D sight glass that provides a nearly 360° view of the oil thanks to the ultra-durable, crystal-clear and chemically resistant Tritan™ material.

This patent pending design is the perfect tool to assist with daily one minute inspections. The design features a flat front face for application of a pen light or camera for closer inspection and analysis. A built-in hex makes installation easy with a socket wrench or pliers. Two eyelets are provided for tagging useful information such as oil type and an oil color change card. And all of these features are packed into a single molded piece to eliminate leak points and improve reliability. Be sure to check out the impact test videos online to witness the true strength of Luneta's engineering and the Tritan™ material.



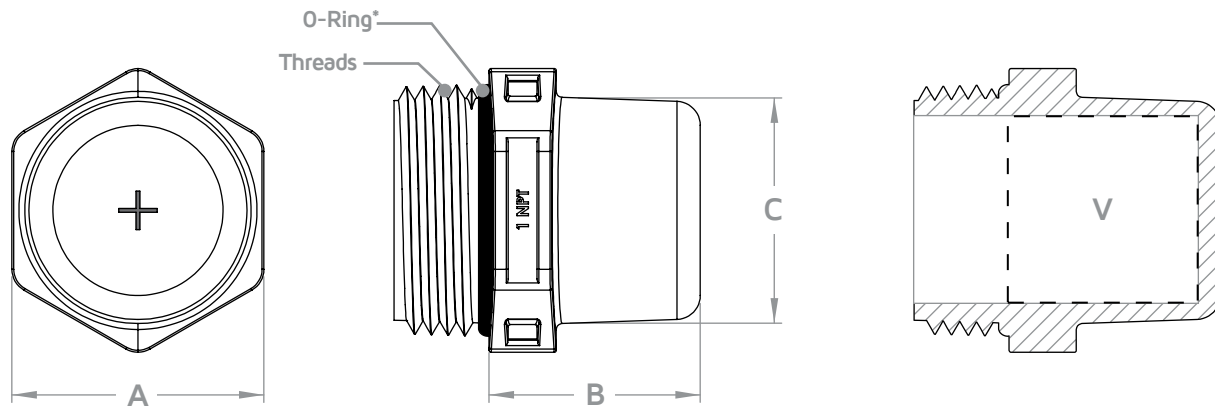
Petroleum Refinery

Vacuum Pump

Fertilizer Plant

Available Male Thread Size:

NPT 1/4", 3/8", 1/2", 3/4", 1", 1 1/4" and 1-1/2"; **BSPP** 1/4", 3/8", 1/2", 3/4" and 1"
Metric 10x1, 10x1.5, 12x1.5, 16x1.5, 20x1.5, 22x1.5



A - Hex | B - Length | C - Diameter | V - Volume

SPECIFICATIONS

- **Application:** Oil level and drain ports
- **Volume:** Varies (see table)
- **Threads:** Varies (see table)
- **Dimensions:** Varies (see table)
- **Shipping Weight:** From 0.16 to 1.76 oz
- **Recommended Temperature:** -40°F to 200°F (-40°C to 93°C)
- **Recommended Pressure:** 65 psi/.4.5 bar
- **Materials:** **Body:** Tritan™ (a patented, crystal clear and chemically resistant material); **O-Rings:** Viton™
- **Outdoor Compatibility:** UV-resistant to protect against long-term sun exposure
- **Chemical Compatibility:** Resistant to mineral and synthetic oils that are compatible with fluorocarbon elastomers (Viton™) and PMMA (acrylic) plastic
- **O-Rings:** Included with BSPP and metric threads only

THREADS	PART NUMBER	A	B	C	V
1/4" NPT	SG.025NPT	5/8"	.46"	.73"	.022 fl.oz.
3/8" NPT	SG.038NPT	3/4"	.63"	.98"	.054 fl.oz.
1/2" NPT	SG.050NPT	7/8"	.78"	.98"	.063 fl.oz.
3/4" NPT	SG.075NPT	1 1/8"	1.00"	1.10"	.148 fl.oz.
1" NPT	SG.100NPT	1 5/16"	1.18"	1.10"	.248 fl.oz.
1 1/4" NPT	SG.125 NPT	1 9/16"	1.25"	1.44"	.50 fl.oz.
1 1/2" NPT	SG.150 NPT	1 13/16"	1.34"	1.70"	.78 fl.oz.
1/4" BSPP	SG.025BSPP	5/8"	.46"	.73"	.022 fl.oz.
3/8" BSPP	SG.038BSPP	3/4"	.63"	.98"	.054 fl.oz.
1/2" BSPP	SG.050BSPP	7/8"	.78"	.98"	.063 fl.oz.
3/4" BSPP	SG.075BSPP	1 1/8"	1.00"	1.10"	.148 fl.oz.
1" BSPP	SG.100BSPP	1 5/16"	1.18"	1.10"	.248 fl.oz.
M10X1.0	SG.M10X10	7/16"	.32"	.59"	.004 fl.oz.
M10X1.5	SG.M10X15	7/16"	.32"	.59"	.004 fl.oz.
M12X1.5	SG.M12X15	7/16"	.32"	.59"	.004 fl.oz.
M16X1.5	SG.M16X15	5/8"	.46"	.71"	.021 fl.oz.
M20X1.5	SG.M20X15	7/8"	.78"	.96"	.061 fl.oz.
M22X1.5	SG.M22X15	7/8"	.78"	.96"	.061 fl.oz.



Helical Bevel Gearbox

*O-rings are included with BSPP and Metric sizes only