

# THE COLUMN



**The Column is a 3D sight glass designed for monitoring of fluids with greater fluctuations in level.** The Column can be installed at the drain port or anywhere below the oil level. Included red and green level rings provide easy monitoring of the level between idle and running conditions. The level rings have a tamper-proof design to prevent accidental adjustments. The top of the Column includes either a 3-micron stainless breather or a vent tube kit for plumbing the air back to the headspace of the oil reservoir. The Column is made of thick, high-impact acrylic with 1" NPT threads for extra durability and also includes zinc-plated steel thread reducers. The Column works great with Luneta's Hub and Bowl. There is also a bypass tubing kit so the Column can be used in conjunction with a filter cart.

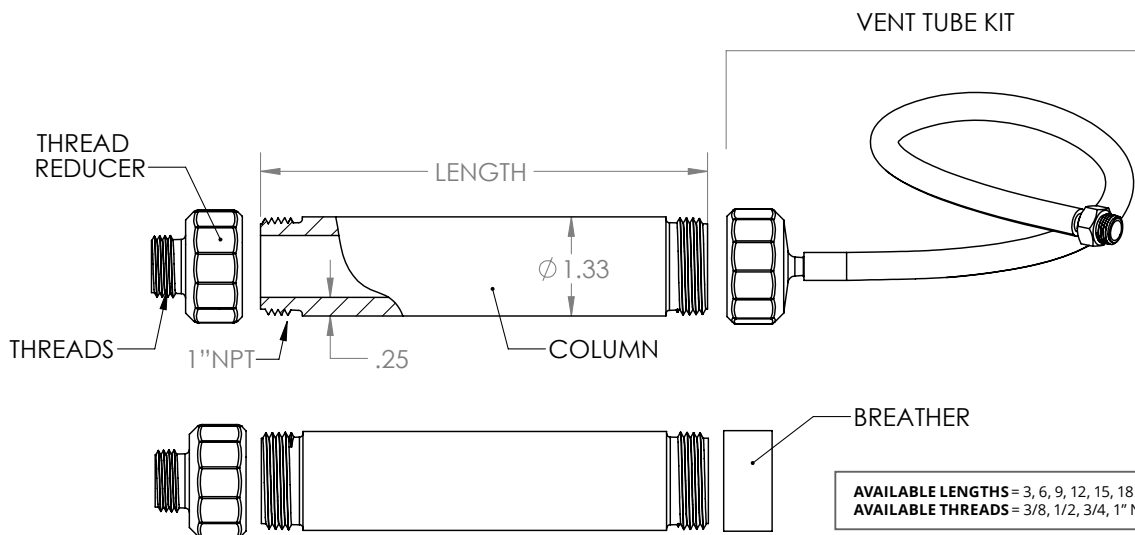


Vent Tube Option - Cooling Tower



3-Micron Breather Option - Speed Reducer

Available Male Thread Size: NPT 3/8", 1/2", 3/4" and 1"  
Available Lengths: 3", 6", 9", 12", 15" and 18"



AVAILABLE LENGTHS = 3, 6, 9, 12, 15, 18  
 AVAILABLE THREADS = 3/8, 1/2, 3/4, 1" NPT

Part Numbers

COLUMN.00 .00

**Length**  
03/06/09/12/15/18  
(e.g. 03=3")

**Threads**  
038/050/075/blank=1"NPT  
(e.g. 075=3/4"NPT)

**Vent or Breather at Top**  
VNT or B

EXAMPLES

**COLUMN.06B.075** = 6" long column with a 3 Micron breather at the top and 3/4" NPT threads at the bottom

**COLUMN.12 Vent Tube** = 12" long Column with a Vent-to-Headspace tube at the top and 1" NPT threads at the bottom

SPECIFICATIONS

- **Application:** Drain ports
- **Dimensions:** Varies (see drawing)
- **Shipping Weight:** From 7 oz to 2 lbs
- **Recommended Temperature:** -40°F to 200°F (-40°C to 93°C)
- **Recommended Pressure:** 65 psi/.45 bar
- **Materials:** **Column:** impact-resistant PMMA (Acrylic); **Level Rings:** high-strength nylon; **Breather (Optional):** stainless steel 3-micron filter; **Vent Tube Kit (Optional):** zinc-plated steel and LLDPE tubing; **Thread Reducer:** zinc plated steel
- **Outdoor Compatibility:** UV-resistant to protect against long-term sun exposure
- **Chemical Compatibility:** Resistant to mineral and synthetic oils that are compatible with PMMA (acrylic) plastic
- **Includes:** column sight glass, level rings, steel thread adapter and breather **OR** vent tube kit

## ACCESSORIES



**The Hub**  
HUB.XXX



**Breather 3-micron**  
BREATHER.COLUMN



**Bypass Tubing Kit**  
BYPASS.COLUMN



**Vent Tube Kit**  
VENT.COLUMN