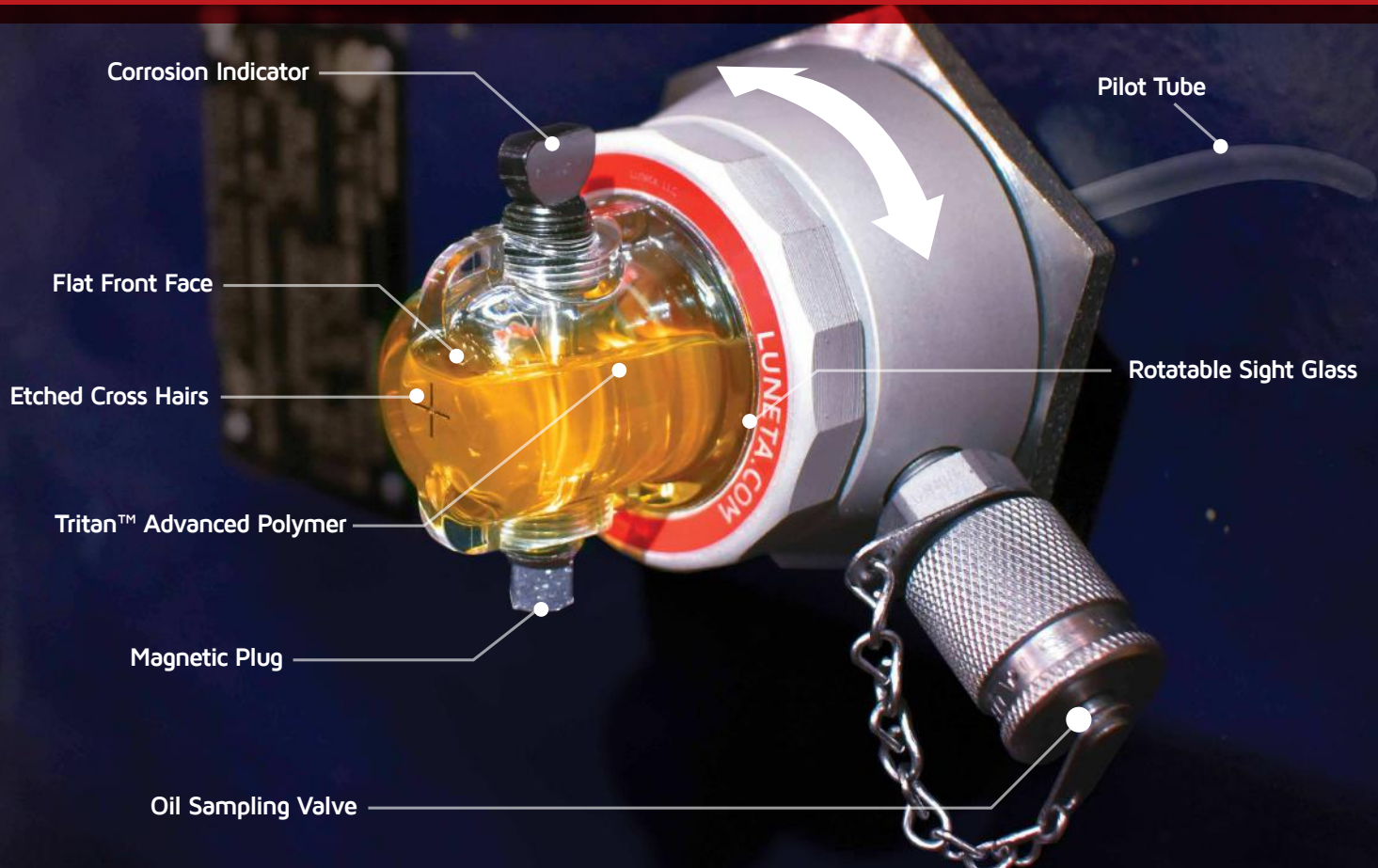


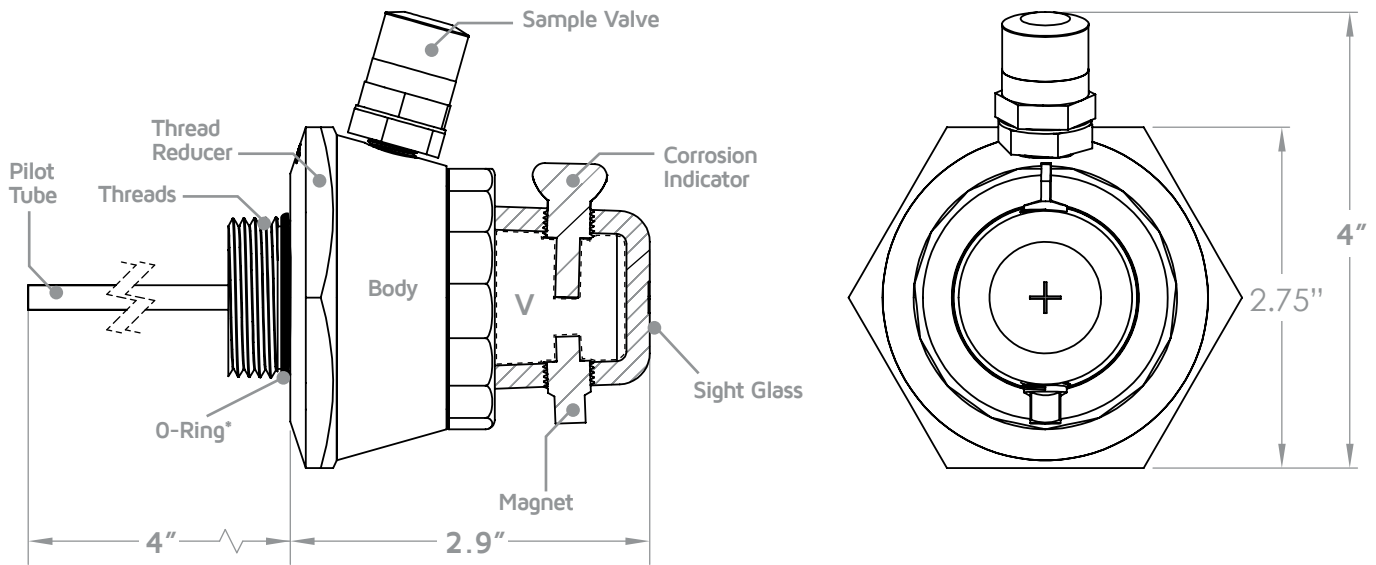
THE CMP



The Condition Monitoring Pod® (CMP®) is a patented multiparameter inspection tool that modernizes and expands daily one-minute inspections. The CMP provides a nearly 360° view of the oil thanks to the ultra-durable, crystal-clear and chemically resistant Tritan™ material. The flat front face is designed for application of a pen light or camera for closer inspection and analysis. A visible corrosion indicator signals when the oil's chemistry has changed and begun to attack vulnerable metals. A visible magnetic plug is also provided to capture and display ferrous wear debris. Both the corrosion indicator and magnetic plug are removable for further inspection thanks to a rotatable sight glass. And lastly, if lab testing of the oil is required, the CMP has a built-in sampling valve with an attached pilot tube for live-zone sampling.



Available Male Thread Size:
NPT 1/2", 3/4", 1", 1-1/4" and 1-1/2"; BSPP 1/2", 3/4" and 1"



V - Volume

SPECIFICATIONS
<ul style="list-style-type: none"> • Application: Oil level ports • Volume: See table • Threads: Varies (see table) • Dimensions: 2.9" L x 2.75" W x 4" H • Shipping Weight: 1.2 lbs. • Recommended Temperature: -40°F to 200°F (-40°C to 93°C) • Recommended Pressure: Low pressure applications • Sampling/Drain Valves: Standard flow sampling valve (M16x2) • Materials: Sight Glass: Tritan™ (a patented, crystal clear and chemically resistant material); Body: anodized aluminum; Magnet: strong neodymium rare earth magnet; Thread Reducer: zinc-plated steel; Pilot Tube: stainless steel; Sampling Valve: zinc-plated steel; O-Rings: Viton™; Gasket: Viton™ • Outdoor Compatibility: UV-resistant to protect against long-term sun exposure • Chemical Compatibility: Resistant to mineral and synthetic oils that are compatible with fluorocarbon elastomers (Viton™) and PMMA (acrylic) plastic • Includes: Tritan™ sight glass, Standard flow sampling valve with pilot tube, steel reducer, aluminum body, magnetic plug, steel corrosion indicator and Viton™ Gasket

THREADS	PART NUMBER	V
1/2" NPT	CMPOD.050NPT	.17 fl.oz.
3/4" NPT	CMPOD.075NPT	.29 fl.oz.
1" NPT	CMPOD.100NPT	.58 fl.oz.
1 1/4" NPT	CMPOD.125NPT	.58 fl.oz.
1 1/2" NPT	CMPOD.150NPT	.58 fl.oz.
1/2" BSPP	CMPOD.050BSPP	.17 fl.oz.
3/4" BSPP	CMPOD.075BSPP	.29 fl.oz.
1" BSPP	CMPOD.100BSPP	.58 fl.oz.

ACCESSORIES



Standard Flow Sampling Kit
SAMPLINGKIT.STD



Standard Flow Sampling Probe
PROBE.STD



Tritan™ Sight Glass Conversion Kit
SG.XXXF2P.K



Copper Corrosion Indicators
CU.INDICATOR.K

*O-rings are included with BSPP and Metric sizes only.