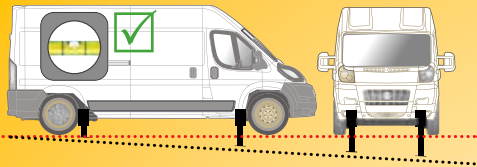




MOTORHOME TECHNOLOGY



CARBEST

**Fully automatic Leveling system.
Perfect alignment of
Vehicle on uneven terrain.**

- Fully automatic leveling of vehicle
- For vehicles up to 5 tons
- 12 V power supply via on-board network
- Operation via cockpit control panel or by radio remote control
- Support base length 300 mm, extendable to 420 mm
- Load cap. per support 2000 kg
- Emergency operation if power failure
- Waterproof motors & connections

All further information on leveling system can be found on pg. 512.



Rear axle auxiliary air suspension system for Fiat Ducato, Mercedes-Benz Sprinter, Ford Transit & Volkswagen Crafter

- Significant increase in driving comfort & safety
- Reduction of crosswind sensitivity
- Additional ground clearance on rear axle
- 2-circuit system for separate filling of bellows

Further information on air suspension systems can be found after pg. 508.



Additional air springs/additional springs.....	508 – 511	Locks/locks.....	535 – 539
Lifting supports/support trestles	512 – 514	Slide-out system.....	540
Compensating wedges/ramps.....	515 – 518	Body widening.....	541
Wheel trims/compressor.....	519	Insect screen/door curtains.....	542 – 545
Complete wheels/aluminum rims.....	520	Mosquito nets for doors & tailgates.....	545 – 551
Tire pressure monitoring/dirt trap.....	521	Motorhome protective covers.....	551
Body protection.....	522 – 525	Rain gutters & profiles.....	552 – 553
Rear view mirror & accessories.....	526	Bonding/sealing/repairing.....	554 – 558
Steps & Accessories.....	527 – 530	Adhesive tapes/vehicle protection.....	559 – 560
Motorhome / caravan doors.....	531 – 533	Vehicle Cleaning & Care.....	562 – 568
Service flaps/case flaps.....	533 – 535	Dehumidifier.....	569

ADDITIONAL AIR SPRINGS



**FIAT DUCATO
WITH 8" AIR BELLOWS**



More safety for your vehicle:

- Safe and stable driving with high loads
- Optimum road holding, therefore less sensitive to crosswinds
- Constant height
- Spring force adjustable
- 2-circuit system with double bellows for rear axle
- Effectively relieves rear of vehicle
- Reduces body roll, increases lateral stability
- Reduced load on shock absorbers
- Load increase possible

★★★
**BASIS
SET**

VB-SemiAir:

2-circuit additional air spring basic set

Our auxiliary air spring systems are 2-circuit systems. Basic set incl. 2 air bellows that are not connected to each other & can thus be filled separately via pressure valve (as with a car tire), e.g. at the gas station. 2-circuit systems ensure that small loading differences can be compensated for separately on the left & right. Air is filled once w/ desired pressure and can then be released for adjustment if necessary. In leaf-sprung vehicles, an air bellows is mounted between frame and rear axle to support existing leaf springs. For this purpose, VB-SemiAir is supplied w/ drain/fill valve.

Scope of delivery basic system: 2 bellows (Ø see below) w/ mounting supports, filling valves, air couplings & connecting couplings, air line(s), brake adjustments (if nec.), assembly instructions, TÜV cert.

Fiat Ducato from YOC. 6/06 & Ducato 8

(from 09/21 without electr. Handbrake):

X250 (and identical) from YOC. 6/2006, Ø 8 inch **46561 706,-**

Fiat Ducato from YOC. 1994 - 2006:

X244 / X230 (and identical) My. 94-06, Ø 8 inch **465610 746,-**

MB Sprinter / Volkswagen Crafter (from YOC. 2006):

209-324 / 28-35, Ø 7,5 inch **465611 828,-**

409-524 / 35-50, Ø 8 inch **465612 828,-**

Other models for MB Sprinter on request.

Ford Transit (Original Ford Chassis from YOC. 2006):

with front wheel drive, single tires, Ø 6 inch **465613 660,-**

with rear drive, single tires, Ø 6 inch **465614 660,-**

with rear drive, twin tires, Ø 8 inch **465615 675,-**

Renault Master / Opel Movano (from YOC. 2010):

Front wheel drive, single tires, Ø 8 inch **465616 675,-**

Rear-wheel drive, single tires, Ø 8 inch **465617 746,-**

Rear-wheel drive, twin tires, Ø 8 inch **465618 675,-**

Renault Master / Opel Movano / Nissan Interstar:

from YOC. 98 - 10 Front wheel drive, single tires, Ø 8 inch **465619 828,-**

Pressure set: pressure contr. system w/ pressure gauge

To increase convenience, basic set can be upgraded w/ 2 indicator pressure gauges. With this adjustment, you can better monitor operating pressure of auxiliary air suspension on 2 pressure gauges & pressure adjustments are more convenient.

Scope of delivery: 2 pressure gauges, operating part & T-pieces.

Pressure set **46563 124,-**

Comfort control panel 2-circuit system w/ compressor

With comfort control unit, you can regulate air pressure of basic set independently, even while driving (assuming a suitable installation location). The air is filled into both air circuits via a special compressor. This makes it possible to adjust vehicle height to road conditions and load at any time. This enhancement can be especially useful when dealing w/ major bumps, such as driving onto a ferry or passing a steep driveway, as well as frequently changing loading conditions. It is also possible, albeit to a lesser extent, to level the vehicle at the stand or to place it horizontally. In addition, air pressure in spring system can be permanently checked on 2 pressure gauges. Special pressure protection valve prevents pressure in system from becoming too high during inflation. Prevents overloading of vehicle chassis and the resulting uncomfortable driving behavior.

Scope of delivery: Compressor w/ 2 pressure gauges, control panel, 2 control switches, pressure limiters (pressure protection valves), check valve, fuse, T-pieces & small parts. (Pressure set is included in compressor set)

Compressor set **46542 678,-**



Upgrading with VB-SemiAir

Possible weight increase due to VB add. springs*:

Type	itemNo.	Axis	Total
X250 33 Light	46561	2250 kg	3500 kg
X250 35 Light	46561	2250 kg	3850 kg
X250 35 Heavy	46561	-	4250 kg
X250 40 Heavy	46561	2700 kg	4800 kg
Master	465616/465617/465618	2400 kg	4000 kg

*Observe tire load index.

Comfortable and safe driving:

- Increases spring travel, avoids side tilt
- Improves traction in front-wheel drive vehicles
- Significantly improved road holding & wind resistance
- Pre-assembled, vehicle-specific complete sets
- Controls adapted to the vehicle
- W/ pressure gauges & pressure control regulation
- Dual circuit system & quality compressor



VB-SemiAir - 2-circuit additional air spring comfort set

Comfort set for motorhomes basically consists of same components as basic set including compressor set. However, it is specially pre-assembled for various vehicle types & includes vehicle-specific controls that significantly increase the ease of operation of the system.

Scope of delivery comfort system:

VB-SemiAir basic set plus: High-performance compressor (cable & valves pre-assembled) w/ 2 pressure gauges & 2 pneumatic control switches (pre-assembled), control panel to match dashboard or seat box, all mounting materials.

Fiat Ducato from YOC. 6/06 & Ducato 8 (from 09/21 without electr. Handbrake):

X250 (and identical in construction)	46712	1303,-
X250, UK version - right hand drive, (identical in constr. Peugeot, Citroen)		
from YOC. 6/2006-2014	467121	1303,-

Mercedes-Benz Sprinter / Volkswagen Crafter (from YOC. 2006):

209-324 / 28-35	467122	1319,-
409-524 / 35-50	467123	1319,-

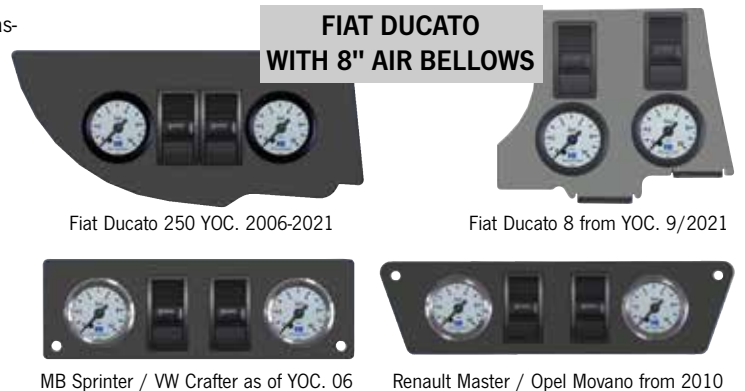
Renault Master / Opel Movano (from YOC. 2010) :

Front wheel drive, single tires	467124	1214,-
Rear-wheel drive, single tires	467125	1242,-



Controls adapted to vehicles are included in scope of delivery

Controls are mounted in dashboard or center console.



FIAT DUCATO WITH 8" AIR BELLOWS

Fiat Ducato 250 YOC. 2006-2021

Fiat Ducato 8 from YOC. 9/2021

MB Sprinter / VW Crafter as of YOC. 06

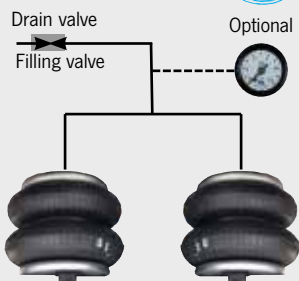
Renault Master / Opel Movano from 2010



Explanation: Difference between single-circuit & dual-circuit system

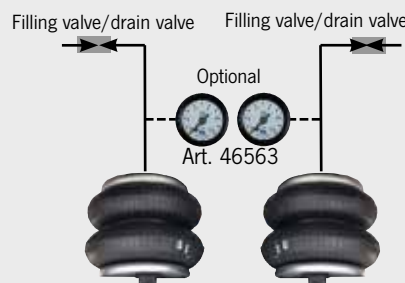
Single circuit system

Both air bellows are connected to each other. They are filled via a common pipe. In 1-circuit system, only one pressure gauge is needed to monitor total air pressure in the system. A 1-circuit system is only suitable if wheel loads on rear axle are identical on both sides and the vehicle load is completely uniform.



Dual-circuit system

Air bellows on left and right are both separate & can therefore also be filled w/ different pressures. 2 pressure gauges are required to monitor pressure. Ability to vary pressure separately makes it easy to compensate for load-dependent wheel load differences in 2-circuit systems. Imbalances can be compensated for.



VB - Reinforced Coil springs - more comfort, more safety

Reinforced coil springs VB-CoilSpring ensure that original vehicle level is achieved again. Mathematically, you re-get "residual spring travel". In most cases, frame is almost at the bump stop; by increasing remaining spring travel, vehicle no longer bottoms out as quickly & becomes more comfortable.

VB-CoilSpring Rear axle spring

(Also for Ducato 8 from YOC. 09/2021 suitable)

Fiat Ducato 250, from YOC. 06/2006, additional spring	46568	512,-
Volkswagen T5 Replacement spring	46569	511,-

VB-CoilSpring front axle spring

(Also for Ducato 8 from YOC. 09/2021 suitable)

Fiat Ducato 250, from 06/2006		
Light Version	46565	649,-
Heavy version	465652	649,-
Comfort version	465653	649,-
Fiat Ducato 244/230, Year . 94-06		
Light Version	46566	649,-
Heavy version	465662	649,-



Springs in Symbol display

ADDITIONAL AIR SPRINGS



AirLift Maxi

FOR THE
REAR AXLE



Now including weighting certificates
for all vehicle models mentioned.

Reinforced Coil spring Coilspring LCS4.0

Reinforced coil spring for front axle for Ducato/Peugeot/Citroën 250/290 from YOC. 2006 for front axle load from 1,850 kg.

466870 544,-

NEW
2024



For Ducato/Peugeot/Citroën from YOC. 2006 w/ Light chassis, in combination w/ AirLift Maxi additional air suspension, there is load capacity of up to 4,150 kg (suitable wheel/tyre combination required).



Rear axle auxiliary air suspension system for Fiat Ducato, MB Sprinter, Ford Transit & VW Crafter

- Significant increase in driving comfort & safety
- Reduction of crosswind sensitivity
- Additional ground clearance on rear axle
- 2-circuit system for separate filling of bellows

Linnepe auxiliary air suspension system provides more ride comfort & increased safety. The uncomplicated installation of compressor-controlled AirLift Maxi is carried out on rear axle while retaining the existing leaf springs. The air bellows are conveniently filled using control panel in the cockpit. The AirLift Maxi is supplied as a 2-circuit system with compressor.

Fiat from 94-06 - Euro chassis (Ducato/Boxer/Jumper) Mod. 230/244
Two-circle 6" 467599 871,-

Fiat from 7/06 - Euro chassis ¹ (Ducato/Boxer/Jumper) Mod. X250/X290
Two-circuit 8" (w/o electric parking brake) 467600 1035,-

Fiat from 9/21 - Euro chassis ¹ (Ducato/Boxer/Jumper) Mod. X250/X290
Two-circuit 8 (with electric parking brake) 467613 1035,-

MB Sprinter NCV3 906, 04/06 - 05/18 and

MB Sprinter NCV3 907, from 06/18, with rear-wheel drive, single tires
Two-circle 6" 467601 1089,-

MB Sprinter 910, w/ front-wheel drive, single tires¹
Two-circle 6" 467614 1122,-

Ford Transit

Two-circle 6" 06/2006-03/2014, w/ front-wheel drive, single tires 467605 1035,-

05/2014-04/2019, w/ front-wheel drive, single tires¹ 467606 1035,-

05/2019-, w/ front-wheel drive, single tires¹ 467607 1035,-

VW Crafter/MAN TGE from 04/2017¹FWD/RWD/4-WD single tires
Two-circuit 8" 467608 1362,-

¹ Further variants available in our online store or on request.

AL-KO
QUALITY FOR LIFE



FOR THE
FRONT AXLE



ACS-Comfort Suspension system - for front axle Fiat Ducato X250, Peugeot Boxer, Citroën Jumper from 2006 onwards

- Confident driving stability & increased driving safety
- Reduced noise in vehicle interior
- No change in vehicle height
- Smooth running, no vibrations - Easy on driver & vehicle
- Assembly in 10 steps

Scope of delivery: 2 air springs (right & left), 2 locking plates, Mounting screws, 2 grommets, sealing rings, 2x 6m Rilsan tubes (red & black), 20 plastic clips, 1 pressure label, 1 assembly instruction.

Retrofit kit ACS for Fiat Ducato X250 panel van

Replace original struts on front axle.

Type	Model year	load Front Zul.	
		axle load	Total wt
For 33 Light from YOC. 2006		1750 kg	3300 kg
		466865	2070,-
For 35 Light from YOC. 2006		1850 kg	3500 kg
		466866	2070,-

Retrofit kit ACS for Fiat Ducato X250 w/ AL-KO chassis

Suitable for both 2-axle and 3-axle vehicles. Replace the original struts on the front axle.

Type	Model year	load Front load	
		axle load	Total wt
For 33 Light from YOC. 2006		1850 kg	3500-3850 kg
		466867	1930,-
For 40 Heavy from YOC. 2006		2100 kg	4000-5000 kg
		466868	1930,-



Axle loads

Permissible axle loads & total weight are used as reference value for overloading, which means that if there is too much load on rear or front axle, it is not the total weight that is decisive, but overweight on respective axle. If total weight is exceeded, the weight is also considered exceeded.

CARBEST  by ESI

With immediate effect on load assessment

Basic & Premium air suspension system for Fiat Ducato/ Peugeot Boxer & Citroën Jumper from 2014, also for Ducato 8 (from 09/21) & Opel Movano from 2021

- 2-circuit system w/ compressor & separately adjustable air bellows
- Significant increase in ride comfort
- Increased lateral stability & better roadholding
- Custom-fit control element for Fiat Ducato
- Mounting takes place on rear axle

Air spring system w/ 2-circuit system w/ separately fillable air bellows. Air pressure is individually adjustable per side. Allows wheel load differences to be quickly detected & compensated for. With help of the two pressure gauges in the interior, air pressure can be monitored. This not only increases your driving comfort, but also significantly increases safety while driving. Even with a heavier load, your motorhome can be steered safely & comfortably - thanks to higher suspension travel & less side tilt. Air pressure is controlled via special Ducato control unit. System is only suitable for models without electronic handbrake.

Scope of delivery: Auxiliary air springs left & right w/ vehicle specific connectors, vehicle specific control panel w/ safety valves, 2 pressure gauges & switches, 12V compressor kit, Rilsan pipes, small hardware set for installation, specific & detailed installation instructions w/ illustrations for each step.

Basic 6" air suspension system



2-circuit system w/ central filling of both air bellows & subsequent independent reduction of air pressure in left and right air bellows. Recommended for vans or motorhomes w/ wheelbase 300 cm & 345 cm w/o motorcycle carrier.

467631 725,-

Air suspension system Basic 8"



2-circuit system w/ central filling of both air bellows & subsequent independent reduction of air pressure in left and right air bellows. Recommended for motorhomes w/ wheelbase 345 cm & 403 cm. Also for vehicles w/ rear garage or rear/motorcycle carrier & for heavier loads.

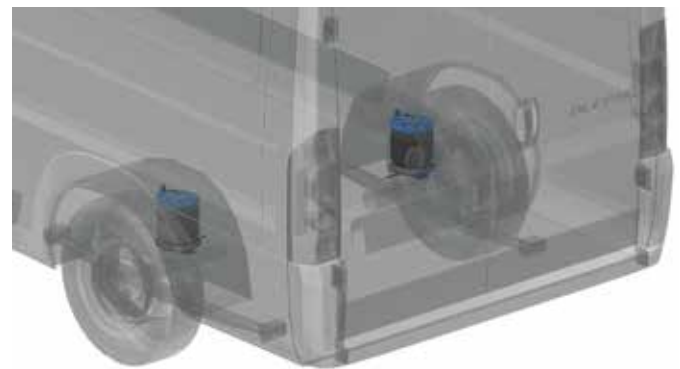
467632 889,-

Air suspension system Premium 7.3"

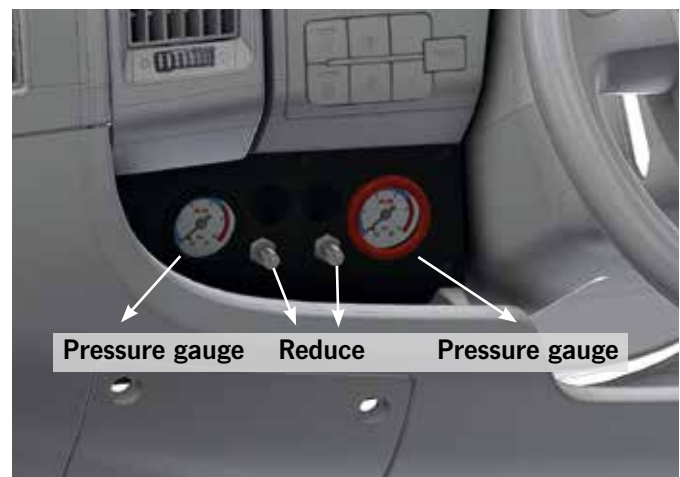


2-circuit system w/ individually adjustable filling of individual air bags & independent adjustment of left & right sides. Recommended for motorhomes w/ wheelbase 300 cm & 345 cm w/ rear garages or rear carrier. Also suitable for wheelbase 403 cm w/ low load.

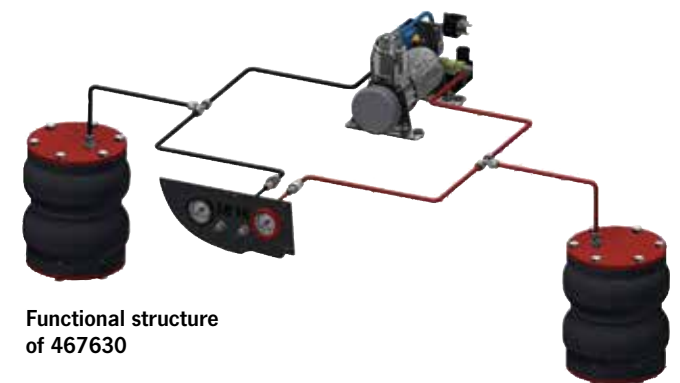
467630 1250,-



Assembly diagram

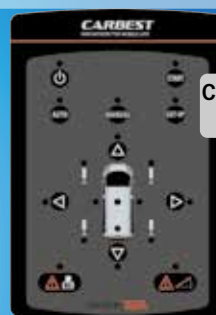
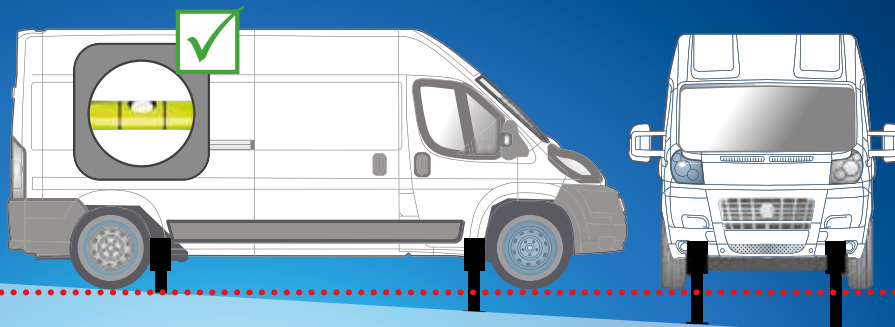


Pressure gauge Reduce Pressure gauge



Functional structure of 467630

We recommend installation by specialist workshop.



Cockpit control panel



Radio remote control

**Fully automatic Leveling system.
Perfect alignment of vehicle on uneven terrain.**



- Fully automatic leveling of vehicle
- For vehicles up to 5 tons, up to 2 tons/support
- 12 V power supply via on-board network
- Operation via cockpit control panel or by radio remote control
- Support base length 300 mm, extendable up to 420 mm
- Load cap. per support 2000 kg
- Emergency operation if power failure
- Waterproof motors & connections

Technical data:

Load cap. per support 2000 kg, total support load 5000 kg, support base length 300 mm - extendable up to 420 mm, ground clearance necessary. Consumption in operation app. 16/18 A.

Car lift with 4 lifting supports

Weight app. 50 kg 465100 2714,-

Adapter complete set for Fiat Ducato & identical vehicles

Weight app. 13 kg

Fiat Ducato X244 YOC. 2000-2006	465104	283,-
Fiat Ducato X244 Alko Bj. 2000-2006	465105	283,-
Fiat Ducato X250/290 Bj. 2007-2014	465102	283,-
Fiat Ducato X250/290 Alko Bj. 2007-2014	465103	283,-
Fiat Ducato X290 from 2015	465113	283,-
Fiat Ducato X290 Alko ab 2015	465112	283,-
Fiat Ducato X290 from 2015 (w/ spare tire below and tank in front of the rear axle)	465116	278,-

Complete adapter set for Ford

Ford Transit from 2014, Weight app. 10 kg 465107 283,-

Complete adapter set for Mercedes-Benz/Iveco/Renault

Weight app. 12.5 kg

Mercedes-Benz Sprinter from 2018	465110	283,-
Iveco Daily from 2000	465108	283,-
Renault Master 3 from 2011	465109	283,-

Universal-Adapter rear 465111 160,-



Linnepe Autolift for vehicles up to 5.5 t

- Lifting supports with fully automatic control
- For vehicles up to 5.5 t total weight
- Reliable: w/ waterproof motors & connections
- Convenience: operation via panel in cockpit or by remote control
- 12 volt power supply, emergency operation in case of power failure
- Leveling takes place independently and fully automatically
- Safe: beep when ignition is turned on

Technical data:

Load capacity per support 2000 kg, total support load 5500 kg, stroke 150 mm, support base length 300 mm - extendable up to 420 mm, weight per support 11 kg, max. 12 A

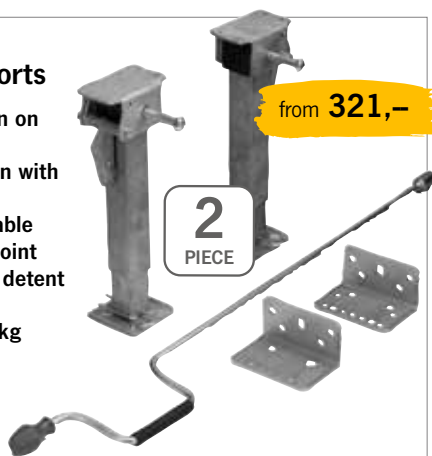
Autolift w/ 2 lifting supports (w/o automatic mode)	465164	2615,-
Car lift w/ 4 lifting supports	46516	3814,-
Adapter set for lifting supports, 4 pieces Universal	465163	359,-
Adapter kit for Fiat Ducato X250 from YOC. 2007, with existing frame extension, scope of delivery: 2 adapters for front axle & 2 universal beams for rear axle	465162	435,-
Adapter kit for Fiat Ducato X250 from YOC. 2007, w/o frame extension, 2x for front axle (w/o AdBlue)	465166	359,-
2x for front axle (w/ AdBlue)	465167	359,-
In addition to 465166 please order adapter bar for rear axle	E4956	435,-



Control element & remote control of car lift w/ 4 lifting supports

Universal crank supports

- Supported in no time, even on uneven ground
- Support simply crank down with hand crank
- Position of drive axle variable due to integrated cardan joint
- Height presetting through detent holes
- Loadable up to max. 500 kg



Scope of delivery: 2 supports (for right & left), universal adapter, hand crank

Crank support length adjustable from 330 to 530 mm for Fiat Ducato, Peugeot and Citroën from 1994 onwards for rear, 1 pair	46523	348,-
Crank support length adjustable from 290 to 490 mm univ. holder fits front & rear, 1 pair	46522	321,-



Quick Lift lifting support

Leveling w/o tedious cranking even on uneven ground. **Quick Lift** disengage w/ short pressure on lever, fold down vertically, crank w/ one turn under load. Load capacity up to 500 kg. Arrest is self-locking. Required installation height app. 200 mm. Easy to assemble.
Not suitable for panel vans.

Scope of delivery: in pairs for 1 axis, incl. operating key



Universal	46506	359,-
Mercedes-Benz Sprinter, front	46518	359,-
For Fiat Ducato, Peugeot Boxer, Citroën Jumper: from YOC. 1994 to 2006, back	46527	359,-
from YOC. 2007, front	46525	359,-

Telescopic aluminum support

Telescopic support can be mounted on all chassis or frame extensions (e.g. Adria motor-homes). Supplied in pairs incl. hand crank, lifting capacity 500 kg, support load 1000 kg, length 29-42 cm, weight app. 1.9 kg
46524 386,-




Quick support Jack

- Large sturdy base plates
- Secure stand on uneven ground
- Outward angled support column

Set 1: Height retracted 29 cm, extended 45 cm.		
2 pcs.	46531	102,-
Set 2: Height retracted 39 cm, extended 55 cm.		
2 pcs.	46532	109,-





AL-KO
QUALITY FOR LIFE

4
PIECE

Ideal complement to the AL-KO RANGER (p. 359) with the combi remote control!

Electrical Support system UP4

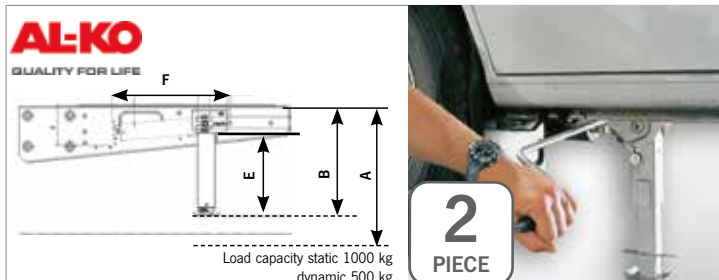
- Faster and more relaxed - developed for today's camping
- Convenient and back-friendly due to remote control
- Stable due to BIG FOOT, electrical compensation of unevenness
- Shunting with a remote control from UP4 and AL-KO Ranger

With UP4 from AL-KO you raise supports of your caravan by remote control & adjust them to the point. As fast, secure & convenient as never before. Save your back, your nerves and relax already with the arrival at the campsite.

Power supply 12 V, average/max. current consumption 6/24 A, additional weight app. 17.5 kg. Min. permissible total weight of caravan 800 kg. Max. permissible total weight of caravan 2500 kg.

Scope of delivery: 4 premium supports incl. drive, BIG FOOT, floor rail for reinforcement, 4 bearing bushings, 1 anti-theft adapter, remote control w/ holder, 1 control unit, mounting material, battery disconnect switch, instructions.

466971 1785,-



AL-KO
QUALITY FOR LIFE

2
PIECE

Load capacity static 1000 kg
dynamic 500 kg

AL-KO ClickFix - Lifting supports Mechanical

Ensure safe standing of the vehicle. Attachment to motorhomes with AL-KO frame or frame extension. All recording points are already prepared on the frame. Robust lifting support for firm and safe stand. Operation is done w/ unscrewing crank; automatic tensioning of lifting support when turning up. Free-swinging mechanism: If motorhome is moved even though the support is extended, it automatically folds forwards or backwards. Delivery in set = 2 pcs. Hand crank not included in scope of delivery.

AL-KO lift support rear for frame height A

loaded min.	310	320	420	460
loaded max.	424	440	624	710
Overall height B min.	281	297	397	446
Overall height B max	445	464	654	744
necessary work area F	364	382	481	531
Drive wavelength E	200	200	200	200
tare weight	7,2	7,3	8,4	8,9
Art. No.	46700	467001	467002	467003
Price	468,-	468,-	468,-	468,-

Supports can be manually changed in length via a cotter pin.




CARBEST

4
PIECE

Plastic support frame set including shims

Height 30-42 cm, load cap. 750 kg per piece. With metal spindle. Stackable. 4 pieces in a set including 4 shims.

912064 46,90



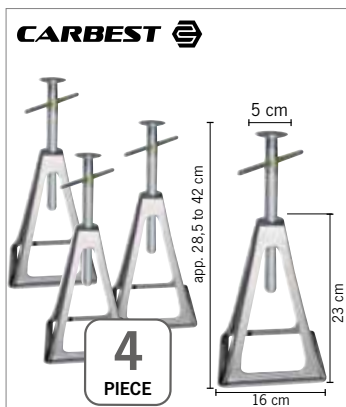
FIAMMA
Home is everywhere

4
PIECE

Plastic support frame set

Height 31-46 cm, load cap. 750 kg per piece w/ metal spindle. Stackable.

43155 66,50



CARBEST

4
PIECE

app. 28,5 to 42 cm
5 cm
23 cm
16 cm

Aluminum trestle set

- Adjustable support stands
- Height adjustable from 28.5-43 cm
- 1000 kg load capacity per piece
- With metal spindle, stackable

1000 kg load capacity per piece.
Weight 3,2 kg

2 piece	912060	27,20
4 pieces	912061	54,50



4
PIECE

Aluminum support bracket set Jumbo

Set of 4 reinforced aluminum support brackets. Load capacity app. 2700 kg per piece. Height adjustable from 28-43 cm. Spindle made of corrosion-protected galvanized steel.

4 piece	92559	67,50
---------	--------------	--------------



CARBEST

4
PIECE

4
PIECE

Universal plastic shims

- For height compensation under support trestles or support feet
- Interlocking for greater height compensation
- Prevent sinking into soft ground
- Ensure stable hold due to large contact surface

① Dims.: 21 x 21 x 3.3 cm, weight 1.6 kg.
4 pieces in set. **91187 17,40**

② W/ carrying handle, dim.: 22.5 x 16.5 x 2 cm, weight 1.2 kg.
4 pieces in a set. **91186 19,60**

Reimo-Kit Level up

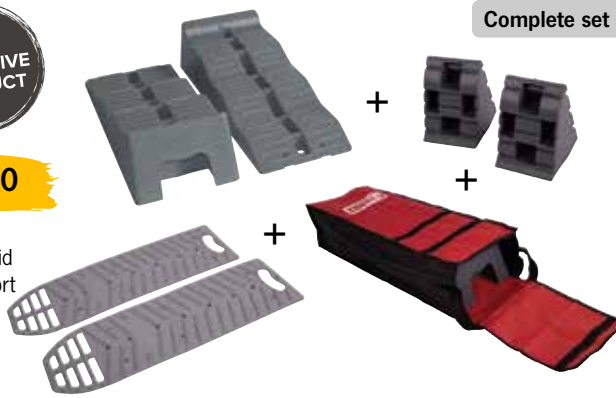
- Wide base to support the motorhome
- Non-slip surface that adheres to the tire
- Lightweight, corrosion-free, quick to clean
- UV-resistant



80,60

Set consisting of: Step wedge Level Up, drive-on aid Level Plate, blocking wedge Chock Level & transport & storage bag Level Bag.
Weight: 4,3 kg

912398 80,60



Complete set

24,70

Incl. Bag



Anti-slip traction aid mats

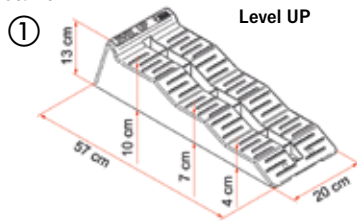
- No sticking on sandy or uneven surfaces
- Prevent the drive wheels from spinning
- High adhesion to wheel

Grip mats gray, incl. bag
Pair **93103 24,70**

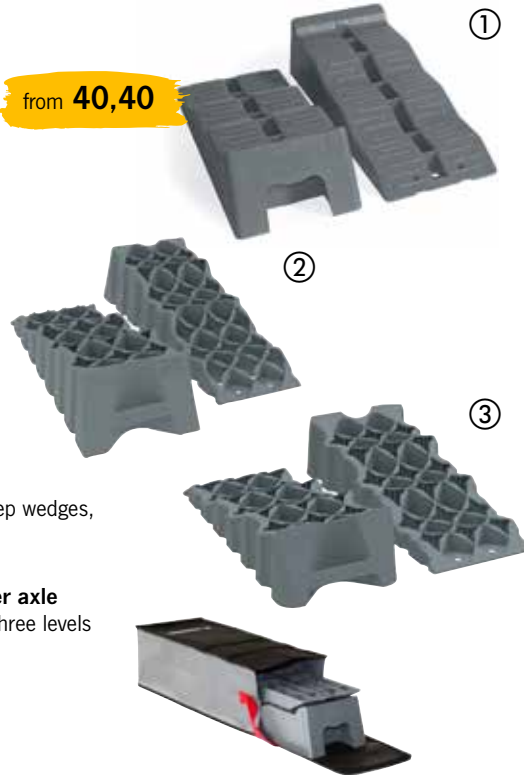
Level Up step wedges w/ 3 access levels

- Wide base to support the motorhome
- Non-slip surface that adheres to the tire
- Lightweight, corrosion-free, quick to clean
- UV-resistant

from **40,40**



Level UP



① **Level up step wedge, load cap. 5 t per axle**

2 step wedges, w/ three steps, dims.: 57x20x13 cm, bag opt. available **912394 40,40**
Level Bag Carrying bag **915100 12,80**

Kit Level up, load cap. 5 t per axle (not shown) 2 step wedges, w/ three steps, dims.: 57x20x13 cm, in practical bag **912395 52,40**

Kit Level up Premium/Premium S, load cap. 5 t per axle
2 Level up Premium step wedges in practical bag. w/ three levels

② **Premium**, 3 steps at heights of 7, 13 and 17 cm.
Dims.: 83 x 31 x 20 cm, **912397 116,-**

③ **Premium S**, 3 levels at 4, 8 & 12 cm height.
Dims.: 68 x 28 x 16 cm, **912399 84,-**
Level Bag S Carrying bag **915101 12,70**

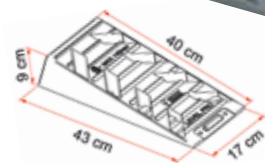
Leveling wedges - Lightweight, resistant, TÜV-tested

- Tire-friendly surface w/ good grip
- Stackable w/ self-locking latch
- Lightweight, corrosion-free, quick to clean
- UV-resistant

24,70

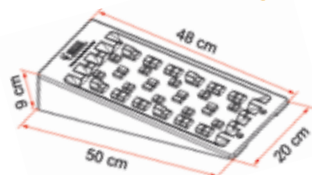
40,40

85,10



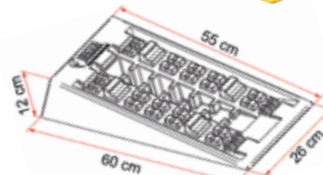
Level Pro, load capacity 5 t per axle

weight 0.8 kg/wedge,
dims.: 43x17x9 cm
pair **93106 24,70**



Level System Magnum, load cap. 8 t / axle

Weight 1,3 kg/wedge,
dims.: 50x20x9 cm
pair **91249 40,40**



Level System Jumbo, load cap. 12 t / axle

Weight 2,9 kg/wedge,
dims.: 60x26x12 cm
pair **912581 85,10**



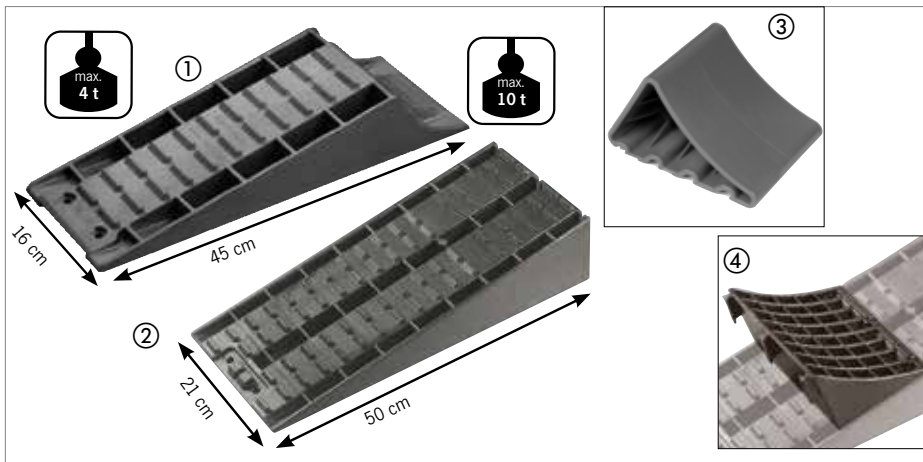
Blocking wedge Chock Level

Blocking wedge for wedges from Fiamma. Reliably blocks vehicle even during long periods of standstill. Weight only 130 g/piece (Not suitable for Level up Jumbo).
Pair **93101 11,90**



Anti Slip Plate

No more slipping away when approaching leveling and step wedges. Suitable only for Fiamma wedges. Dimension 100 x 160 mm
Pair **93105 6,55**



Drive-on wedges, 4 t or 10 t load capacity

- Extremely robust, w/ non-slip surface
- Also for caravans w/ tandem axle
- Stepless drive up

- ① **Standard wedge, load capacity 4 t per axle**
Total height 8 cm, weight 1.1 kg.
Pair **915111** **21,-**
- ② **Maxi wedge, load capacity 10 t**
Total height 12 cm, weight 2 kg.
Pair **91511** **44,70**
- ③ **Parking stopper** for standard wedge,
Pair **915072** **11,30**
- ④ **Parking stopper** for Maxi wedge WxDxH
205x140x110 mm
Pair **915112** **19,90**

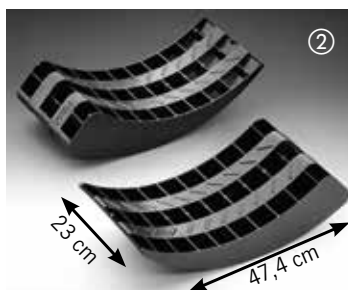
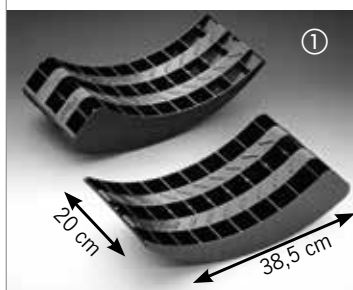


Learn more here!



Round wedges set of 2 incl. bag

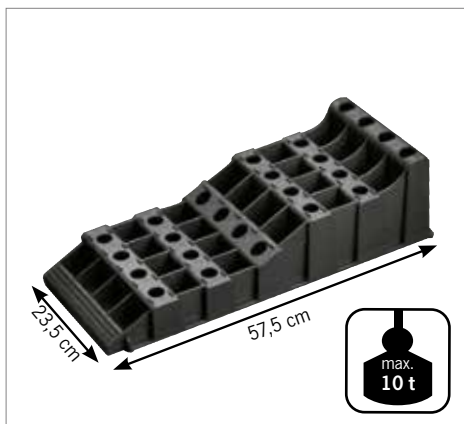
- Simple stepless drive up
- Optimal protection of the tires, gives the vehicle stability
- Perfect load distribution
- Tested drawbar load: 1,250 kg per wheel
- Approved for tire Ø up to app. 70 cm



- ① **Round wedges mini**
For stepless upward travel up to max. 8 cm.
2 wedges in set incl. bag. Weight: app. 1100 g.
Please apron height of min. 21 cm note.
Pair **925493** **40,30**
- ② **Round wedges standard**
For stepless upward travel up to max. 10 cm.
2 wedges in set incl. bag. Weight: app. 1650 g.
Please apron height of min. 28 cm note.
Pair **925492** **51,20**



Step wedge w/ carrying bag
Drive-up in three heights, 4.5/7.5 and 10.5 cm, weight 1.8 kg, L 53 x W 17.3xH13 cm
Pair **91449** **50,70**



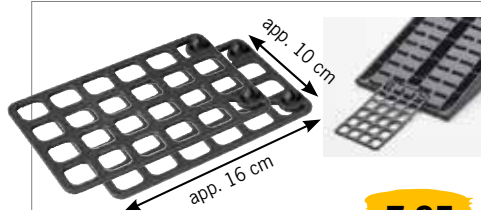
Step wedge XL
Drive up in 2 heights, 6.5 or 11.5 cm, weight 2.5 kg, L 57.5 xW 23.5 xH 15 cm
Pair **92549** **67,60**



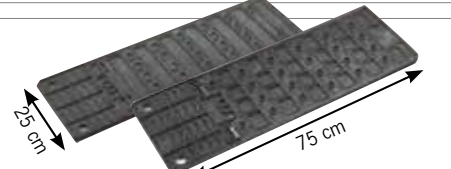
Transport bag w/ zipper
For safe transport & storage of compensation wedges. Dims.: L 65 x W 20 x H 26 cm
914491 **13,10**



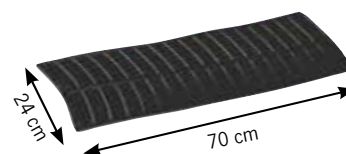
Wall bag for Froli wedges
For practical and safe storage of wedges. Made of black canvas, w/ metal eyelets for wall mounting. Dims. 68 x 54 cm
914493 **14,20**



Drive-on aid
So wheels do not spin on soft ground. Suitable for Froli drive-on wedges.
Pair **915071** **7,95**



Reversible drive-on mat XL for Froli step wedge XL
Protects against sinking in and slipping away when driving onto soft ground. Easy to fix with enclosed screws, weight app. 920 g. L 75 x W 25 cm, height 14 mm
Pair **925494** **34,90**



Anti-slip / traction aid mats
No sticking on sandy or uneven surfaces. Prevent drive wheels from spinning.
Pair, Black **91508** **24,-**

Premium Quality

2 PIECE

Compensating wedges

- Premium quality w/ anti-slip profile
- Weatherproof, resistant & robust

① **Compensation wedge Strong**
Load capacity up to 3 t per axle
For smaller vehicles, e.g. camping buses.
Set of 2 91252 54,50

② **Compensating wedge Super Strong**
Load capacity up to 4 t per axle
For alcove motorhomes & integrated motorhomes
Set of 2 91253 43,50

CARBEST

2 PIECE

For large vehicles

Compensating wedges XL

XL leveling wedges are ideal for leveling large caravans or motor homes with wide tires. Loadable up to 5 t per axle. Dims.: 61x21,5x12 cm, Weight: 2,4 kg/pc. Material: PP. Color: Grey

912554 32,70

CARBEST

2 PIECE

Load capacity: 1250kg per wheel

Plastic compensating wedges

The plastic step wedges are ideal for leveling caravans or mobile homes on uneven ground. Load capacity: 1250 kg per wheel. Material: plastic, color gray. Size: 52 x 17 x 11 cm, weight: 1.8 kg/pc.

914000 33,80

THULE

TOP SELLER

2 PIECE

Compensating wedge set

Load capacity up to 5 t per axle. Set w/ 2 ramp wedges & sturdy carrying bag. Three different height levels for easy leveling of camper.

Set of 2 912521 53,50

CARBEST

Carrier bag for Drive-on wedges

- Durable
- Water repellent and stain resistant

① With long carrying handle and Velcro closure. Suitable for drive-up wedges w/ a size of max. 61x21,5x12 cm. (Suitable drive-on wedges: 914000, 912554, 93106). Material: polyester, color black.

912555 8,70

Wall bag for ramp wedges

- 4 eyelets for wall mounting
- Water repellent and stain resistant

② For hanging 2 drive-on wedges, e.g. in rear garage. Suitable for drive-up wedges w/ a size of max. 61x21,5x12 cm. (Matching ramp wedges: 914000, 912554, 93106). Material: polyester, color black.

912556 14,20

Multi-Stopper Wedge

As supplement to 912551 or 912552 multifunctional pad. Prevents vehicle from rolling away, w/ practical handle for easy handling & clipping into pads made of polyethylene. Red, H128 x W93 x D198 mm, weight 585g/pc.

1 piece 912553 8,70

Multifunctional pad

Allows variable height compensation in 3 heights from 45-105 mm. Level differences can be compensated both in length & lateral alignment. Material: polyethylene, red. Dim.: H35 x B215 x D255 mm, 380g/piece.

Set of 4 912551 27,20

Set of 10 912552 55,60

TIRE PROTECTION / LIFTING CUSHION

CARBEST 

2
PIECE



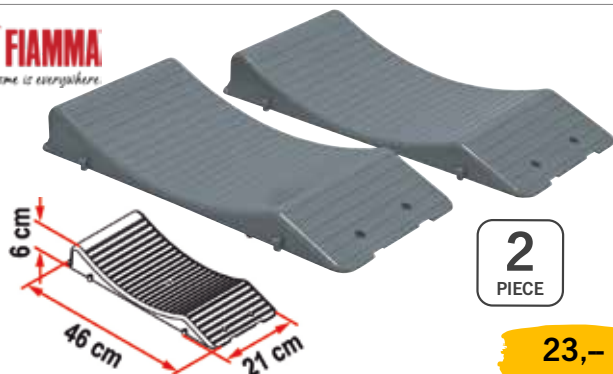
REIMO
17,40

Tire protection against "flat tire" during long periods of idling

Reduces deformation of wheels during long periods of standing. Suitable for wheels from 10" to 20". Dims.: 44 x 20 x 4 cm

set of 2 91528 17,40

FIAMMA
home is everywhere



2
PIECE

23,-

Tire protection against "flat tire" during long periods of idling

Wheel Saver

Reduces deformation of the wheels during prolonged standing. For wheels up to 15" .. Weight app. 0.5 kg.

Set of 2 915163 23,-
Suitable carrying bag Level Bag S 915101 12,70



Rubber granules tire protection

Ideal for long periods of standing in winter months. Even for extreme temp. ranges from -40 to +100°C. Adapts perfectly to shape of tire. Gentle effect on tires due to better distribution of weight load of the vehicle. Protects against deformation and aging Prevents unwanted movements when parking. Wear-resistant, non-slip and ecological.

Scope of delivery: 4 pieces 92548 141,-

EMUK
The ultimate Motorhome

5 years
Guarantee


MADE IN GERMANY



Emuk Air-Lift

Emuk Air-Lift is a heavy-duty, wear-resistant, gasoline, oil & acid-proof compressed air lifting bag designed specifically for motor homes & caravans. All floor unevenness & height differences of substrate can be continuously compensated from 1.5 cm to 20 cm. Load capacity of Emuk Air-Lift is 11 tons, beating all previous best values compared to conventional balancing wedges.

Technical data:

Dims.: 48 x 43 x 2 cm, Weight: 3,6 kg, Load cap.: 11 t at 6 bar, Max. Height: 20 cm, Min. height uninflated: 1.5 cm, Volume uninflated: 3.6 L, Inflate & deflate: 1 auto valve, Pressure test tested: 24 h at 6 bar, Temp. range: -20 °C to +60 °C.

Scope of delivery: 1 Air-Lift lifting cushion, 1 drain valve, storage bag.

Emuk Air-Lift 92542 294,-
Emuk Air-Lift 2er-Set 92544 544,-

Emuk Air-Lift Twin - ideal for twin tires

Technical data:

Dims.: 70 x 43 x 2 cm, Weight: 5.3 kg, Load cap.: 11 t at 6 bar, Max. Height: 20 cm, Min. height uninflated: 1.5 cm, Inflate & deflate: 1 auto valve, Pressure test tested: 24 h at 6 bar, Temp. range: -20 °C to +60 °C.

Scope of delivery: 1 Emuk Air-Lift Twin, 1 drain valve, storage bag.

Emuk Air-Lift Twin 92543 326,-

①



②



Flat Jack Level compensation cushion

- Simple level compensation & effective protection of tires against damage caused by standing
- Suitable for vehicles up to 6 t total weight
- PU membrane inside, reinforced PU/nylon fabric outside
- Inflatable with compressor or air pump
- Filling pressure from 0.8 - 1.3 bar

With the Flat-Jack Camper and the Flat-Jack Camper 2.0, leveling on uneven ground is child's play. Vehicles up to 6 tons can be stabilized without any problems.

① Flat Jack Camper

For tire widths up to 255 mm. Level compensation up to 6 cm.

92546 130,-

② Flat Jack Camper 2.0

For tire widths up to 305 mm. Level compensation up to 20 cm.

92538 163,-

① Uniko 6 in 1 drive-on aid/folding ramp

- Various applications
- As wheel chock, 3-fold height adjustable
- As a starting aid or ramp for height compensation
- As a stool, trestle or step

Fiberglass reinforced folding ramp w/ various applications. The surface is very grippy & easy to drive on due to wedge shape. Incl. Carrying handles. Height adjustable: 4,4/9/13 cm, length folded out: 145 cm, width: 25 cm, load cap.: 3,5 tons

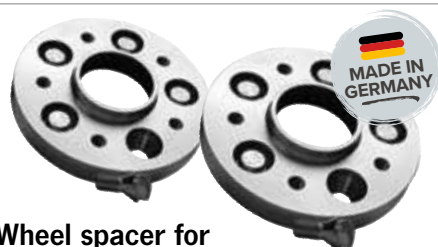
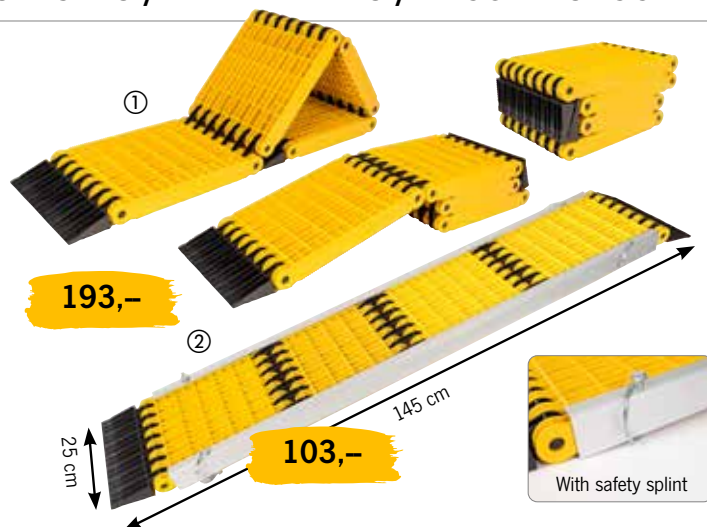
915120 193,-

② Aluminum rail set for Uniko 6 in 1 folding ramp

- Transforms flexible folding ramp into access ramp
- Allows the loading of trailers and motor homes

With assembly of two aluminum rails, Uniko 6 in 1 Folding Ramp becomes rigid access ramp. This allows you to load the rear garage of your motorhome or a trailer more easily. Loadable up to 200 kg (max. 400 kg when used in pairs)

915121 103,-



Wheel spacer for front / and rear axle

- Reduces the lateral inclination
- Stabilized for crosswind sensitivity
- Less tire wear

Fiat Ducato from year 07/2006 X250 Types 250, Type 250D and from YOC. 05/1994 - 06/2006, type 230/244. Widening 60 mm, price per axle 47038 237,-

Fiat Ducato from yr. 07/2006 X250 types 250L,D and Fiat Ducato (Maxi axles) from yr. 05/1994-2006 X250 types 250L,*D type 230D *L *M and type 244*B *D *L *M. Widening 60 mm, price per axle 47030 261,-

Scope of delivery: 2 spacers, mounting screws, TÜV strength certificate. Can be used for all standard tires.

Find more wheel spacers at www.reimo.com



4 he SET

Meridian wheel trim for Volkswagen Transporter

- High quality, impact resistant plastic
- Easy mounting & very good fit due to practical mounting systems
- 4 pieces in set

Extremely good look & fully trendy for almost all common 16" rims. Color: Black

46044 36,30



4 he SETS

Wheel cover for Fiat Ducato

- Original equipment standard
- Made of high quality ABS plastic
- Multilayer coating
- 4 pieces in set

Amsterdam, chrome finish polished:

15" 46018 97,70
16" 46019 109,-

Itah, silver:

15" 460250 50,50
16" 460251 56,10

from 50,50



Transportable Compressor with high performance

- Ideal for off-road or camping use
- Powerful air compressor with enough power even for larger tires

Premium Mini Compressor for tires, buoyancy aids & inflatable boats. Features: 12 volts, 360 watts, pressure 10 bar/150 PSI, flow rate 90 liters/min. Integrated thermal protection switch & robust metal housing. Scope of delivery: Compressor w/ transport bag, valve attachments, battery clamps for direct connection to the battery (cable length 3 m) & tire inflation hose with 8 m length.

474081 109,-



Tire puncture repair kit

Fill tire sealant gel into the flat tire and inflate with the compressor. Driving w/ max. 80 km/h to next workshop possible.

Scope of delivery: 700 ml tire sealant gel, 12V mini compressor, valve opener with accessories and storage bag.

47404 72,40

Spare bottle of tire sealant gel

700 ml cap. 474061 32,60



Stylish complete aluminum wheels for Volkswagen Transporter 6.1/6/5



- Alloy wheels including tires
- Including wheel studs, caps, tire fitting & balancing
- With TÜV parts certificate, entry in vehicle documents necessary
- In noble matt black

Scope of delivery: Tires mounted on rim, balanced, wheel studs, caps & TÜV parts cert.

Delivery time: 1-3 weeks max.

① 18" Alloy complete wheel Classic B
18 x 8.5 rim w/ General Grabber AT3 tires (235/55R18), all-season tread pattern w/ 50% off-road & 50% on-road capabilities. M+S marking and snowflake symbol.

Without tire pressure sensor		
per piece	46052	1058,-
With original VW tire pressure sensor* (pre-installed)		
per piece	46053	1162,-

② 16" Alloy complete wheel WP 16
16 x 7.5 rim with Hankook RW12 winter tires (215/65R16). Only for vehicles with 16-inch brake system.

W/o tire pressure sensor		
per piece	46056	599,-
With original VW tire pressure sensor* (pre-installed)		
per piece	46057	762,-

* Due to technical conditions only suitable for VW T6.1



15" alloy wheel CWT black polished glossy for caravans or trailers

The BORBET CWT is a new trailer wheel that is not only visually appealing, but also impresses w/ its strength of 1,100 kg. Rim size: 6.0x15", 5-hole.

Color black	46046	170,-
-------------	--------------	--------------



Steel wheel clamp - Theft protection for cars & trailers

Steel wheel claw for wheels up to 26.5 cm wide. Scope of delivery incl. 2 keys. Dims.: app. 23 x 50 cm, weight: app. 2.3 kg.

913401	41,40
---------------	--------------



17" Wavestar alloy wheels for Fiat Ducato & Renault Traffic

- Exclusive matte design
- With TÜV/ABE

Rim size: 7.0x17", 5-hole. Perforated rim: 5x130 mm		
For Fiat Ducato	46050	306,-
For Renault Traffic	460501	306,-

Please also order wheel scar cover per rim: For rim Wavestar, color black

46060	9,55
--------------	-------------

Further anti-theft devices can be found on page 383.



15" alloy wheel for Fiat Ducato

- Mistral anthracite, polished

Rim size: 6.0x15", 5-hole. Perforated rim: 118 mm, 1075 kg max. permissible wheel load. ET 68 mm		
	460031	224,-

LI = Load index (also load capacity index) indicates load capacity of tire. It can be read on the tire at the underlined position: 195/65R15 108 H

Index	Load capacity	Index	Load capacity
107	975 kg	114	1180 kg
108	1000 kg	115	1215 kg
109	1030 kg	116	1250 kg
110	1060 kg	117	1285 kg
111	1090 kg	118	1320 kg
112	1120 kg	119	1360 kg
113	1150 kg	120	1400 kg



REICH
THE QUALITY EXPERIENCE

Display via free app

**easydriver Tire pressure sensors
safetyre for app use -
Tire pressure monitoring for all
caravans, motorhomes & trailers**

- Simply place sensors on the valve instead of normal caps
- Package cont. 2 sensors (if required, 2 or 3 sets can be used simultaneously)
- Weight app. 9.5 g per sensor
- Operating temp. -20 °C to 85 °C
- Anti-theft device through lock nut
- Display via free easydriver app
- Incl. Replaceable battery (battery CR 1632)
- Max. Tire pressure 6.3 bar

Bluetooth 2.4 GHz, operating voltage 3 V.
47427 156,--



Tire pressure monitoring

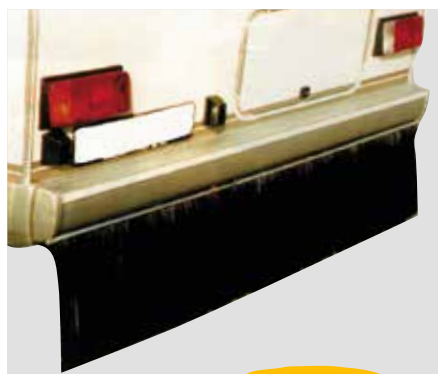
- Wireless mounting
- Permanently controls tire pressure
- Increases tire mileage
- Warning thresholds separately adjustable for each axis
- Anti-theft device
- System expandable to 6 or 8 sensors

The TireMoni tire pressure monitoring system permanently controls air pressure of tires. Accidents are thus effectively avoided. In addition, with the optimal tire pressure you save valuable fuel and the tire mileage increases significantly.

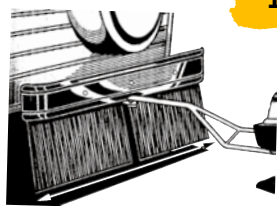
Technical data: Measuring range 0 - 11 bar, measuring accuracy 0.14 bar.

Scope of delivery: 1 xTireMoni display unit incl. batt. AAA, 4 (6) x Checkair tire pressure sensors incl. batt. CR1632, 12 volt connection cable, mounting frame, operating instructions.

① Monitoring system TM - 260 with 6 sensors	47416	392,-
① Monitoring system TM - 240 with 4 sensors	47415	275,-
② Monitoring system TM - 210 with 4 sensors	47410	263,-
③ Cleaning spray for sensors	47412	13,70
④ Mounting spray, corrosion protection for sensors	47413	6,45
⑤ metal valves 31 mm, set of 4	47419	34,90
⑥ Spare battery for sensor, type CR 1632	47414	6,45



135,-

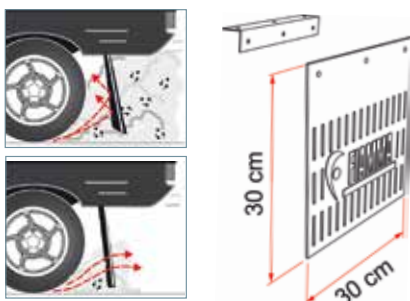


Mud flaps for rear of vehicle

Protects bike rack and trailer from dirt, splash water and keeps the rear wall clean. 57 cm long perlon threads are combined into two brushes 122 cm each. Can be shortened individually. Weight 5 kg

Scope of delivery: 2 mud flap parts of 122 x 57 cm each, 2 aluminum mounting rails of 122 cm each, mounting material.

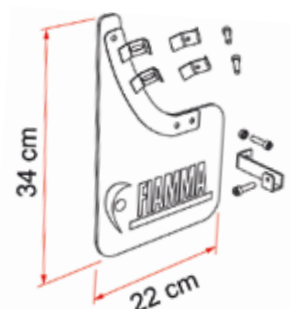
912105 135,--



Mud Flap Rear - Mud flap for rear of vehicle

Easy mounting on rear of vehicle. Made of solid but flexible rubber foam. It is possible to connect several Mud Flap Rear and create a continuous "wall". Weight 1.2 kg, 2 pieces

912152 62,20



Mudflap front wheels for Fiat Ducato from YOC. 06/2006

Practical & easy mounting w/ supplied painted steel brackets. Made of solid but flexible rubber foam, weight 1.2 kg, 2 pieces

912151 67,60



Bumper protection made of high quality stainless steel

For Citroën Spacetourer 2017, Citroën Jumpy > 2017, Toyota Verso III > 2017, Toyota Proace III > 2017, Opel Zafira Life > 2019, Opel Vivaro > 2019, Peugeot Expert > 2017, Peugeot Traveller > 2017

① Brushed stainless steel, short wheelbase	45830	82,80
① Brushed stainless steel, long wheelbase	45832	82,80
② Black brushed stainless steel, short wheelbase	45831	98,-

For Volkswagen Caddy/Caddy Maxi > 2020

Stainless steel brushed	45847	71,90
-------------------------	-------	-------

For Volkswagen Transporter 6.1/6, Caravelle & Multivan > 2015

① Brushed stainless steel (single door)	45841	62,10
② Black brushed stainless steel (single door)	45842	74,10

For Volkswagen Transporter 5, Caravelle & Multivan

2003-2015 Van, Volkswagen T6/T6.1 Transporter > 2015 Van

① Brushed stainless steel	45843	54,40
③ Stainless steel black	45844	65,30
④ Stainless steel & carbon foil	45845	45,70

For Volkswagen 7 Multivan > 6/2021

① Brushed stainless steel	45822	62,10
---------------------------	-------	-------

For Volkswagen ID. BUZZ > 2022

① Brushed stainless steel	45819	62,10
---------------------------	-------	-------

For Mercedes-Benz Vito W447 2014

① Brushed stainless steel	45833	57,70
② Black brushed stainless steel	45834	70,80

For Fiat Talento > 2016, Opel Vivaro III 2014-2019, Renault Trafic III > 2014

① Brushed stainless steel	45839	62,10
③ Stainless steel black	45840	74,10

For Ford Transit Custom V710 > 2024

① Brushed stainless steel	45817	62,10
③ Stainless steel black	45818	62,10

For Volkswagen Crafter > 2017 Van

① Brushed stainless steel	45846	87,10
---------------------------	-------	-------

For Mercedes-Benz Sprinter 2006-2018, Volkswagen Crafter 2006-2017 Van

① Brushed stainless steel	45835	57,70
③ Stainless steel black	45836	90,40

For Mercedes-Benz Sprinter > 2018

① Brushed stainless steel	45837	65,30
③ Stainless steel black	45838	82,80



Volkswagen Transporter 7 Multivan
Volkswagen ID. BUZZ
Ford Transit Custom V710



① Brushed stainless steel



② Black brushed stainless steel



③ Stainless steel black



④ Stainless steel with carbon foil



Stainless steel load sill guard

- Noble protection of the delicate bumper
- Optical upgrading of the vehicle
- High fitting accuracy due to CNC milling

Volkswagen T5 2003 - 2015 with tailgate
(also Multivan and Caravelle)

46397	147,-
-------	-------

Volkswagen T6/T6.1 w/ tailgate
(also Multivan and Caravelle) Silver
Matt black

46398	153,-
463980	153,-

Volkswagen 7 Multivan > 6/2021

Silver	463979	138,-
Matt black	463981	138,-

Volkswagen ID. BUZZ > 5/2022

Silver	463978	138,-
Matt black	463982	138,-

Bumper protection made of black ABS plastic for Volkswagen T7/T6.1/T6/T5/Caddy/MB Vito/Citroën etc.

- Safe protection of sensitive bumpers from loading damage
- Maintains value of the vehicle, as unsightly scratches are avoided
- Made of high quality and durable ABS plastic
- Self-adhesive w/ high accuracy of fit due to CNC milling

① VW T5 w/ painted bumper (also Multivan & Caravelle)	46312	130,-
VW T5 with black plastic bumper	463122	130,-
VW T6.1 / Caravelle / Multivan / Transporter as of 11/2019	463125	125,-
② VW T7 Multivan from 06/2021	463175	125,-
③ VW ID. Buzz from 05/2022	463178	125,-
④ VW Caddy/Maxi 2004-2015 w/ painted bumper		
Only for tailgate	46314	130,-
VW Caddy/Maxi 2004-2014 with black plastic bumper		
Only for tailgate	463142	130,-
VW Caddy 2015-2020 w/ painted or black bumper		
Only for tailgate	463144	130,-
⑤ VW Caddy V from 10/2020 w/ painted bumper		
Only for tailgate	463174	130,-
⑤ VW Caddy V from 10/2020 w/ black plastic bumper		
Only for tailgate	463173	130,-
⑥ Mercedes Vito / Viano from 2015 w/ painted or black bumper		
Only for tailgate	463161	138,-
⑦ Mercedes V-Klasse/Viano/Vito W447 ab 03/2019 Facelift with painted or black bumper		
Only for tailgate	463176	138,-
⑧ CitroënDispatch/Jumpy/Spacetourer as of 09/2016, Peugeot Expert/New Traveller, Toyota Proace as of 09/2016	463171	138,-
⑨ Opel Vivaro C long wheelbase from 09/2019	463177	163,-



Loading sill protection films



Loading sill protection film for Renault Trafic / Opel Vivaro

Robust, self-adhesive protective film for loading sill. Protects paintwork of bumper from scratches and damage., e.g. when loading the vehicle. Black color.

46465 33,80

Loading sill protection film for Volkswagen T4/T5/T6

- Protects loading edge from scratching over the entire width.
- Robust, self-adhesive film, washable
- Shape/temperature & fuel resistant
- Self-adhesive and perfect fit

Volkswagen T6/T6.1 from YOC. 2015, Black	46269	32,60
Volkswagen T6/T6.1 from YOC. 2015, Transparent	462691	42,50
Volkswagen T6/T6.1 2 rear doors, from YOC. 2015, Black		
	462692	31,40
Volkswagen T5 from model 2010, black	462581	31,30
Volkswagen T5 up to model 2009black	46253	28,30
Volkswagen T4, black	46245	33,80



Loading sill protection film Mercedes Sprinter from 2018

② Protective film for loading sill at rear entrance		
Self-adhesive. Protects bumper paint from scratches and Damage, e.g. when loading		
Black	46455	40,30
Transparent	464551	40,30

BUMPER PROTECTION PROFILES / DOOR SILL PROTECTION



Bumper protection profiles for Volkswagen Transporter 6/5

- Prevents damage to own vehicle
- Self-adhesive
- High quality stainless steel - soft plastic composite profile
- Resistant to shape/temperature and fuel
- Robust and washable

Side protection profiles for left & right side of vehicle

① Volkswagen T6/VW T5 short wheelbase all models 46250 162,-

Bumper protection for front and rear

② Volkswagen T5 < 2009, 3-piece set, black 46252 108,-

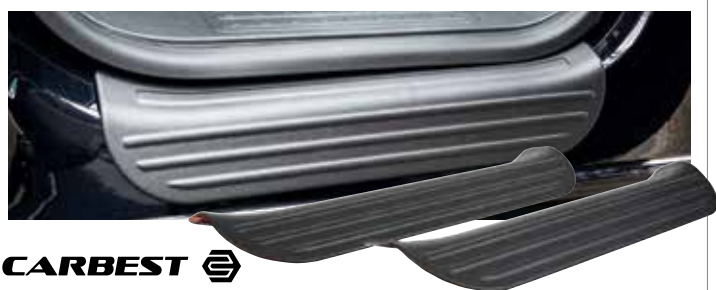
③ Volkswagen T5 > 2009, 4-piece set, black 46258 88,70



Bumper protection profile for Mercedes-Benz Sprinter

- Prevents damage to own vehicle
- Self-adhesive
- Easy assembly

2-piece set for front and rear bumper. Black 46457 106,-



CARBEST

Door sill protection for Volkswagen Transporter 6.1/6/5 >2004

- Effectively protect the sills and paint from dents and scratches in the highly stressed entry area of vehicle
- Self-adhesive

2-piece set. Material: ABS plastic, Black.

45860 43,60



CARBEST

Door sill protection for Fiat Ducato >2004 and Fiat Ducato 8 >9/2021

- Effectively protect the sills and paintwork from dents and scratches in the heavily used entrance area of vehicle
- Self-adhesive

2-piece set. Material: ABS plastic, Black.

45861 43,60



Door sill protection film

- Prevents damage and scratches in entry area
- Self-adhesive
- Easy assembly

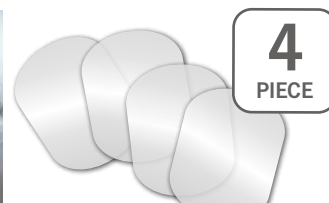
Volkswagen T5 >2010, black 462583 23,60

Volkswagen T5 >2010, Transparent 462584 30,30

Renault Traffic/Opel Vivaro, Black 46467 22,50

Mercedes-Benz V-Class >2014, black 464554 20,20

Mercedes-Benz V-Class >2014, Transparent 464555 24,70



4
PIECE

Transparent Protective film for door handle recesses

- Reliable protection against paint scratches from fingernails & keys
- Suitable for any paint color
- 0.32 mm thick, self-adhesive and UV-resistant
- 4-piece, incl. cleaning cloth & assembly instructions

Volkswagen Transporter 6.1/6/5 >2003 462591 28,10

Volkswagen Caddy 2006-2020 462592 28,10

Volkswagen Caddy/Caddy Maxi >06/2020 462594 28,10

Mercedes Benz V-Class >2014 462593 28,10

All films are suitable for painted surfaces only.



Personal protection bar for Fiat Ducato, Citroën Boxer, Peugeot Jumper, 2014-09/2021

• With EC approval and CE homologation

① EU personal protection barlow, Ø 76 mm for vehicles w/ long crashbox (for short crashbox art. 462727 must be ordered also).

Stainless steel	462726	446,-
Schwarz (not shown)	462729	518,-

Additional element "Short crash box"

Additional crossbar for mounting personal protection bar on vehicles w/ short crash box.

462727	71,90
---------------	--------------

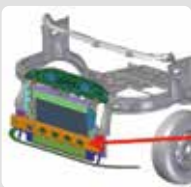
② Spoiler protection tube, Ø 60 mm (mounting underride protection not possible)

462728	337,-
---------------	--------------



Short crash box

In case of a short crash box, the traverse is not directly behind the bumper. If you look through the ventilation grilles at an angle, you can see small sections of crossbar. In the vehicle configuration, this vehicle is stored with 5VE.



Scan QR code and download assembly instructions for Antec personal safety guards



Assembly instruction 462726



Assembly instruction 462728



Bumper tread plates for Fiat Ducato from Bj. 09/21, Fiat Ducato, Citroën Jumper, Peugeot Boxer from Bj. 2014

- Visual enhancement and Protection from scratches
- Safe step when climbing up
- 2 pieces in set

Alu Nature	464580	29,40
Alu Silber eloxiert	464581	34,90
Aluminum black powder-coated	464582	34,90

Set of steps

- Halves the factory step heightn
- TÜV parts certificate
- Made of aluminum & plastic
- Load cap. 140 kg

Fiat Ducato from 2006

92352	501,-
--------------	--------------

Mercedes-Benz Sprinter

92351	621,-
--------------	--------------



Universal TREKFINDER Mudguard extensions

- Made of flexible, high-quality black plastic
- Available in 25 mm or 50 mm width
- Ideal when using wheel spacers or large rims
- Incl. TÜV test report & installation instructions

Mudguard extensions have a length of 3 m and can be cut to size. Adhesive mounting under web edge in wheel arch.

① 25 mm width	912165	64,30
② 50 mm width	912166	64,30

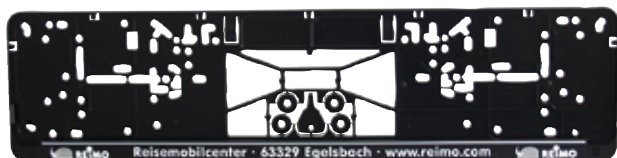


Car door step with folding hook

- For easy access to the vehicle roof
- Ideal for loading or cleaning vehicle roof
- Loadable up to app. 120 kg
- Structured tread surface for non-slip standing
- Rubber lip prevents scratching of car paint
- Compact storage thanks to folding hooks

Material: Metal, powder-coated. With rubber lip to protect vehicle paintwork. Color: black, dims.: LxWxH 161x76x16/84 mm, weight: 0.3 kg.

900060	16,30
---------------	--------------



Reimo License plate holder

With pre-drilled holes for almost any hole spacing on your vehicle.

532391	6,50
---------------	-------------



① Mirror protectors for minivans

For Citroën Jumpy > 2017, Citroën Spacetourer 2017, Citroën Berlingo III Panel Van > 2019, Citroën Berlingo III Passenger Van > 2019, Opel Vivaro > 2019, Peugeot Expert > 2017, Peugeot Traveller > 2017, Toyota Proace III > 2017

ABS Chrome, 2 pcs. 45850 65,40



Mirror protectors for motorhomes / vans

For Fiat Ducato (also suitable for Ducato 8 >09/2021) / Citroën Jumper / Peugeot Boxer >2006 (X250 and X290)

- Material plastic, high gloss lacquered
- Perfect fit
- Self-adhesive

Protects mirror from damage or hides existing damage. Long version for semi-integrated vehicles & alcoves, short version for panel vans. Available in white, chrome and black. 2 pcs each.

② Black: Short version	45813	76,30
Long version	45814	76,30
③ White: Short version	45815	76,30
Long version	45816	76,30
④ Chrome: Short version	45811	87,20
Long version	45812	87,20



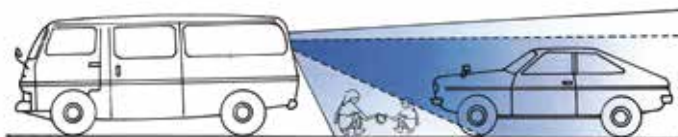
Wide angle lens for better rear view

- Increases the field of view
- People & obstacles behind vehicle are better visible
- Risk of collision when reversing decreases
- Easy to install

from 10,90



5,45



Moisten the smooth side of the lens, press it onto cleaned back window. Holds very well, can be easily removed again.

Vehicle length up to 3 m	15 x 20 cm	47105	10,90
Vehicle length up to 5 m	20 x 25 cm	47106	12,-
Vehicle length from 5m	27 x 35 cm	47107	19,10



Round wide angle mirror

- Improves visibility in blind spots
- For safety-conscious drivers
- To stick on the rear view mirror

Mounting: Back side self-adhesive, simply stick on rear view mirror. Diameter 75 mm. 47102 5,45

Double angle mirror to clip on the exterior mirror



- Improves the Rear view
- Clips onto the rear view mirror
- Mirror glasses can be adjusted independently
- Reduces the blind spot
- Universally applicable

Hercules Double View

Right	47126	14,20
Left	471261	14,20

You will find a wide selection of caravan mirrors in caravan technology section and www.reimo.com



Outsmart the blind spot

- Reduces the blind spot
- Improves the consideration
- Avoids accidents

Hercules top mirror

Mounting: Is placed on mirror. Mirror glass is removed and clamped by means of screws.

① Hercules mirror small (W15 x H7 x D6 cm)	47159	14,80
② Hercules mirror large (W15 x H12 x D7.5 cm)	47160	18,-






Manual steps series R
Anti-slip step made of aluminum. Operation is performed by hand from outside. Height retracted 135 mm.

Step width 440 mm,
weight app. 4.1 kg
923642 217,-

Step width 700 mm,
weight app. 4.7 kg
923644 240,-





T series Step width 500 mm,
weight app. 4.6 kg
923643 200,-







Manual step Single Step 550
Step height 180 mm, total width 552 mm.
Weight: app. 4.1 kg
912095 234,-

Electric Steps Slide-Out Step G2

- Best integrated on vehicle
- Easy removal of the running board w/o tools
- Anti-slip strips on the running board

Intelligent & stable installation, easy manual locking w/o any Tools in case of power failure. No sharp edges on the front. Patented cable outlet + hook for more protection & flexibility during installation. Integrated brushes, cable outlet, lip profile. A switch for connecting an optional warning lamp or relay in vehicle is provided as standard, so it is not possible to drive away with the step extended. Exceeds European load standard 2001/85/EC (RV DIN EN 1646-1).

<p>① For Fiat Ducato (also suitable for Ducato 8 >09 /2021), Citroën Jumper, Peugeot Boxer Euro 6D</p> <table border="0"> <tr><td>400 mm</td><td>912145</td><td>435,-</td></tr> <tr><td>550 mm</td><td>912146</td><td>501,-</td></tr> <tr><td>700 mm</td><td>912147</td><td>577,-</td></tr> </table> <p>Mounting kit for Fiat Ducato, Citroën Jumper, Peugeot Boxer 912148 108,-</p>	400 mm	912145	435,-	550 mm	912146	501,-	700 mm	912147	577,-	<p>② For Volkswagen Crafter and Mercedes-Benz Sprinter FWD >2017</p> <table border="0"> <tr><td>400 mm</td><td>912149</td><td>435,-</td></tr> <tr><td>550 mm</td><td>912150</td><td>501,-</td></tr> <tr><td>700 mm</td><td>912153</td><td>577,-</td></tr> </table> <p>Mounting kit for Volkswagen Crafter >2017 for G2 400/700 912154 111,- for G2 550 912155 111,-</p> <p>Mounting kit for Sprinter FWD >2017 for G2 550 912156 111,-</p>	400 mm	912149	435,-	550 mm	912150	501,-	700 mm	912153	577,-	<p>③ For MB Sprinter RWD/4WD & VW Crafter >05/2006-2017, Renault Master, Ford Transit</p> <table border="0"> <tr><td>400 mm</td><td>912157</td><td>425,-</td></tr> <tr><td>550 mm</td><td>912158</td><td>490,-</td></tr> <tr><td>700 mm</td><td>912159</td><td>566,-</td></tr> </table> <p>Order mounting kits for each vehicle type:</p> <table border="0"> <tr><td>For MB Sprinter RWD/4WD and VW Crafter >05/2006-2017</td><td>912160</td><td>111,-</td></tr> <tr><td>Für Renault Master</td><td>912161</td><td>108,-</td></tr> <tr><td>For Ford Transit >2015 FWD</td><td>912163</td><td>108,-</td></tr> <tr><td>4WD</td><td>912164</td><td>108,-</td></tr> </table>	400 mm	912157	425,-	550 mm	912158	490,-	700 mm	912159	566,-	For MB Sprinter RWD/4WD and VW Crafter >05/2006-2017	912160	111,-	Für Renault Master	912161	108,-	For Ford Transit >2015 FWD	912163	108,-	4WD	912164	108,-
400 mm	912145	435,-																																							
550 mm	912146	501,-																																							
700 mm	912147	577,-																																							
400 mm	912149	435,-																																							
550 mm	912150	501,-																																							
700 mm	912153	577,-																																							
400 mm	912157	425,-																																							
550 mm	912158	490,-																																							
700 mm	912159	566,-																																							
For MB Sprinter RWD/4WD and VW Crafter >05/2006-2017	912160	111,-																																							
Für Renault Master	912161	108,-																																							
For Ford Transit >2015 FWD	912163	108,-																																							
4WD	912164	108,-																																							

12V

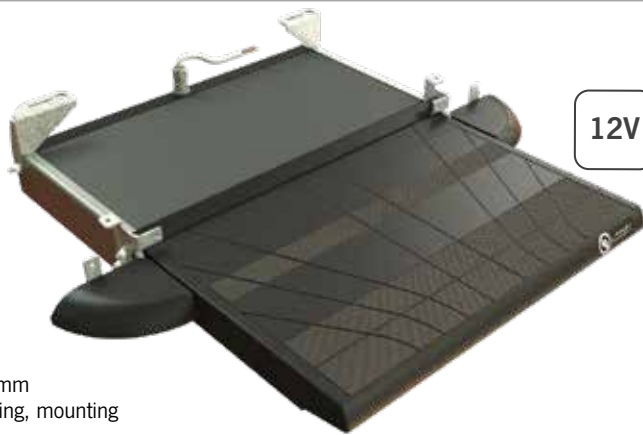
Suitable accessories for Slide-Out Step G2:

- ① **LED kit**
For a safe step even in the dark.
- | | | |
|---|--------|-------|
| For standard step | 923851 | 58,90 |
| For Slide-Out Step Fiat Ducato, Citroën Jumper, Peugeot Boxer, Volkswagen Crafter | 923856 | 62,20 |
- ② **Automatic retraction**
When vehicle engine is started, the step retracts automatically.
For all 12V OmniStep treads. 912121 19,70
- ③ **Thule Control Box** Automatically retracts and extends step when closing/opening door
912123 316,-

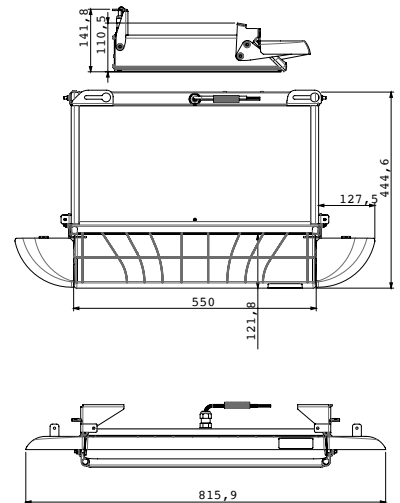


Electric steps Alanera
Electric step for Fiat Ducato

- Waterproof plastic step
- 200 kg maximum load cap.
- Modern and fresh design
- Lighter than conventional steps
- Automatic retraction & extension of step
- Patented motor system
- Quickly installed thanks to preassembled brackets



12V



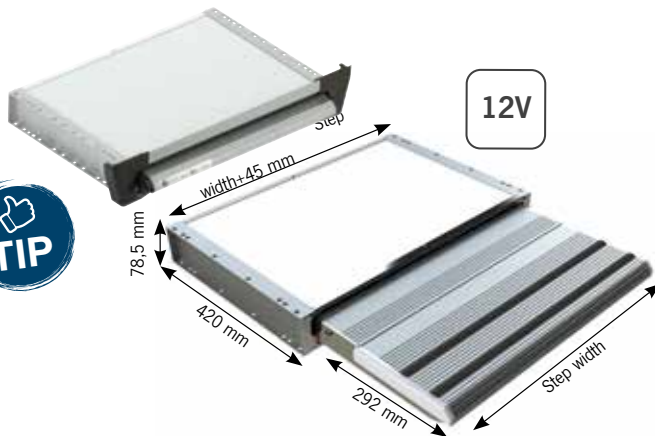
Dims.: Step depth 372 mm, Width 550 mm

Scope of delivery: KIT with step, side wing, mounting kit for Fiat Ducato chassis & switch.

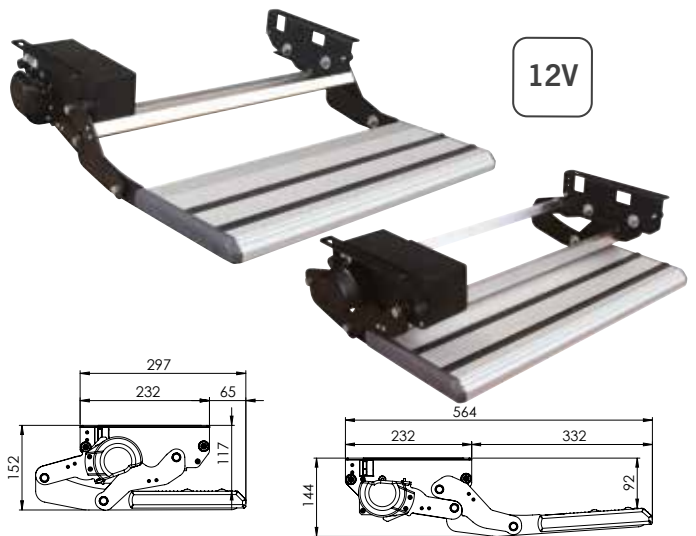
Step with mounting for X290 >2015

Step with mounting for X250 2006-2014

92324	664,-
92325	664,-



12V



12V

Electric steps for vans or motorhomes

- Also suitable for Volkswagen Transporter 6/5
- Aluminum antislip step
- Open/close by keystroke
- Warning lamp indicates that stage is extended
- Fast retraction & extension w/ emergency manual operation

Electric step in 4 widths

12 Volt, current consumption: 3 A

Scope of delivery: Step incl. wiring.

Step width 440 mm, weight: 6,85 kg	92386	481,-
Step width 550 mm, weight: 7,50 kg	92387	483,-
Step width 700 mm, weight: 8,38 kg	92388	507,-
Step width 1000 mm, weight: 9,77 kg	92358	571,-
Mounting kit for Fiat Ducato/Citroën Jumper/Peugeot Boxer	92402	95,90
Fastening kit for Mercedes-Benz Sprinter	92403	136,-

Electric steps with oscillating movement S series

- New structure made of steel and aluminum for greater stability
- Aluminum antislip step
- High-performance motor w/ thermal circuit breaker for excessive load
- Anti-shock coupling
- Manual release system for emergency

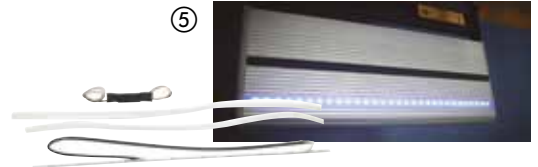
Electric step in 3 widths

12 Volt, current consumption: 3 A

Scope of delivery: Step w/ connection cable

Step width 460 mm, weight: 5,45 kg	92355	360,-
Step width 524 mm, weight: 5,96 kg	92356	349,-
Step width 695 mm, weight: 6,74 kg	92357	381,-

Accessories for Lippert steps



- ① **Switch box - retraction at button touch**
 for steps 92386, 92387, 92388, 92358
 923612 155,-
 for steps 92375, 923761 and 923772
 923613 167,-

- ② **Step switch**
 for extending / retracting step.
 92359 38,70

- ③ **Automatic switch**
 automatically retracts step when engine is started & prevents unintentional opening while driving.
 92373 44,10

- ④ **Wiring kit for switch box**
 6 m cable, operating & fuse switch, LED, indicator light, 15 amp connection diagram.
 923611 69,30

- ⑤ **Kit LED lighting for aluminum treads of steps**
 • 1 LED strip with blue LEDs
 • 1 transparent rubber anti-slip profile
 • 1 Timer
 92360 63,20

You can find more step switches in electrical section.

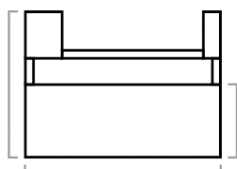


12V

Electric aluminum step R-Series

Scope of delivery: Complete wiring, app. 1.5 m cable & step switch. Please order automatic switch 92373 (s. next page) separately.

Wide	app. weight	itemNo.	Price
482 mm	5,5 kg	923761	381,-
522 mm	5,9 kg	923772	384,-

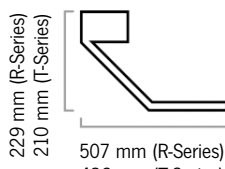


482/522 mm (R-Series)
482/517 mm (T-Series)

Electric aluminum step T-Series

Scope of delivery: Step w/ connection cable.

Wide	app. weight	itemNo.	Price
482 mm	5,5 kg	92372	326,-
517 mm	5,9 kg	923721	316,-



229 mm (R-Series)
210 mm (T-Series)
507 mm (R-Series)
486 mm (T-Series)



Electric steps for motorhomes, vans & caravans



12V

① Step Thule Single Step Compact

- 12 V step
- Material: Anodized structure aluminum
- Width: 500 mm
- Weight: 5.1 kg

Compact step under vehicle. Improved stability under light & heavy loads up to 300 kg.

Complies w/ EMC and CE standards. Exceeds European quality standards according to EN1646. A switch for connecting an optional warning light or relay is fitted as standard in the vehicle so that it is not possible to drive off with the step extended.

Optional accessories:

Thule Relay Kit for Step 12V, Thule Control box for Step 12 V.



912098 425,-

Single and Double Step

- With rubber pads
- Rounded running board profiles
- Corrugated anodized aluminum

② Single-step treads - Step height 178 mm

Single Step 460 , Total width 455 mm. Weight. 4,8 kg	912096	425,-
Single Step 550 , Total width 551 mm. Weight. 6,0 kg	912097	425,-

③ Two-step treads - Total step height 420 mm

Model	Step width	Total width	Weight app.	Item No.	Price
Double Step 380*	380 mm	435 mm	7,0 kg	912092	643,-
Double Step 440	446 mm	501 mm	7,3 kg	91209	643,-
Double Step 500	502 mm	557 mm	7,6 kg	912091	664,-

*Also fits older Hymer B-Class models.

Accessories for Single and Double Step:

① Automatic retraction relay set

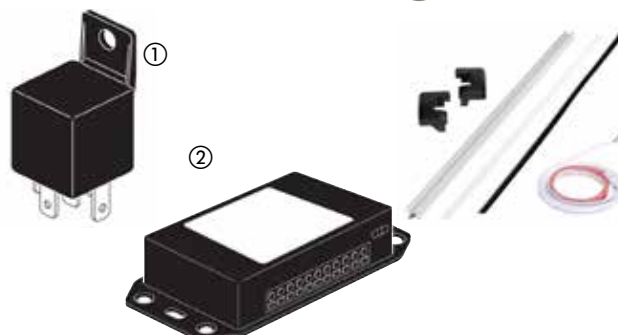
When vehicle engine is started, the step retracts automatically. Suitable for all 12 Volt OmniStep treads.

912121 19,70

② On/off automatic Electronic - Set

Step extends via a door contact switch. In addition, automatic retraction when starting engine. Suitable for all 12 Volt OmniStep treads.

912123 316,-



ELECTRIC TREADS

LIPPERT

588 mm

Particularly robust and stable

12V

Electric step

- Entry level with 2 steps
- Entry heights from 60 -75 cm
- Including wiring kit, 6 m cable, operating & fuse switch, LED signal when stage is open, 5 amp connection diagram

Scope of delivery: Step with cable set.
Total width w/ motor app. 720 mm, weight app. 16.9 kg
Step width app. 480 mm

923722 786,-

LIPPERT

12V

Electric step in light construction L series

- Anodized aluminum running board w/ anti-slip strip
- Galvanized and painted steel structure
- Opens and closes automatically
- Manual emergency release system
- Motor optionally left or right
- Warning light for "Open stage"

Step width 610 mm, weight app. 11 kg

92354 793,-

LIPPERT

646 mm

Particularly robust and stable

12V

Electric Step with 3 steps

- For large vehicles • Entry heights of 80 - 90 cm
- Including wiring kit, 6 m cable, operating & fuse switch, admission 5 amps

Scope of delivery: Step with cable set. Total width w/ motor app. 780 mm, weight app. 29 kg
Step width app. 530 mm

923723 1415,-

CARBEST

Step mat

For manual or electric steps from min. 38 x 40 cm to max. 45 x 40 cm.. Protects the vehicle from dust & dirt. Incl. 2 fixing springs. Cut to size. Material plastic.

Black	516100	16,40
-------	--------	-------

FIAMMA
home is everywhere.

Step mat

For manual or electric steps from min. 38 x 40 cm to max. 45 x 40 cm.. Easy to clean, fitted with springs as standard. Cut to size. Material plastic.

Green	51658	27,30
Black	51659	27,30

Access handle with integrated lighting

Made of metal (silver color/shiny chrome). Mounting from the front or rear. Hole spacing app. 26 cm. Light color 4,200 K.
Dims.: W 33x H 6,5 cm

832793 56,70

Rocker switch with control light

Rocker switch for switching on and off w/ red control illumination. Load cap.: 12 V-10 A/24 V-6 A, Hole: ø 29 mm

811217	3,20
Mounting frame 1-fold (o. Fig.)	
811221	1,65

Superstructure door set

- Door frame & door leaf outside aluminum
- For wall thicknesses from 30-43 mm
- Door leaf inside ABS
- Mounting material incl.
- Hinges right
- Color: White

Material: Door frame & door leaf outside aluminum Door leaf inside made of ABS.
 Radius: 83 mm. Door stop seen from the outside: Right.

① Cutout dim.:	525 x 1700 mm		
Clearance dim.:	475 x 1650 mm		
with round lock (Zadi)	37000	616,-	
② Cutout dim.:	525 x 1700 mm		
Clearance dim.:	475 x 1650 mm		
with white lock (Zadi-Edge)	37002	704,-	
② Cut-out dimension :	600 x 1900 mm		
Clearance dimension:	550 x 1850 mm		
with white lock (Zadi-Edge)	37003	780,-	



Superstructure door set

- Aluminum door frame
- GRP door leaf
- For wall thicknesses of 34 mm
- Including roller blind / darkening
- Doors in OEM quality with M1 door lock
- Windows with E1 standard



Material: Door frame made of aluminum powder coated, door leaf made of GRP. Wall thickness: 34 mm. Radius: 85 mm. Door hinge seen from the outside: Right. Frame technology: profile system Automotive 34 + 2 mm, powder coated (white), Automotiv hinges (black). Seal: surge water seal, main seal. Closing system: Inside: FAWO Ontop (black version), outside: FAWO Toplevel (black version). Inside: "Back in Black" design. Window cutout: 1140 x 220 mm. Including roller blind / blackout blind in beige. Weight: 21 kg.

Cutout dim.:	600 x 1731 mm		
Overall dimension:	620 x 1751 mm		
	35006	948,-	
Cutout dimension:	600 x 1920 mm		
Overall dimension:	620 x 1940 mm		
	35007	980,-	



Optional accessories to match doors:

Fly screen door

- Pleated insect screen
- One-hand operation possible at any height
- The tension bar remains in any position
- Perfect fit for the door opening
- Material: PVC plastic
- Weight 5 kg

Suitable for body door 35006:

Cut-out dim.:	600 x 1731 mm		
overall dimension:	651 x 1742 mm		
	350440	236,-	

Suitable for body door 35007:

Cut-out dim.:	600 x 1920 mm		
overall dimension:	651 x 1931 mm		
	350441	248,-	



Removable Waste garbage can

- Dim.: 32 x 17 x 23 cm
- Weight: 1 kg
- Color: Cream beige
- Material: ABS

Suitable for body door 35006, 35007.
 Scope of delivery: 1 body, 1 lid, 1 handle, 2 blind plugs.

	92112	50,10
--	--------------	--------------



EXCLUSIVE CONSTRUCTION DOORS



Superstructure door 1950 x 550 mm

- Door frame and door leaf made of aluminum w/ ABS inner shell
- For wall thicknesses from 31-33 mm
- Doors in OEM quality with M1 door lock
- Standard tested door appr. for motorhomes
- Incl. Mounting set

Body door w/ HSC II cylinder insert, radius 89 mm, door hinge on right when viewed from outside. W/ integrated window, for wall thicknesses of 31 - 33 mm, weight: 22 kg

35050 1516,-



Caravan - body door 1740 x 580 mm

- Door frame and door leaf made of aluminum w/ ABS inner shell
- For wall thicknesses from 31 - 33 mm
- Doors in OEM quality
- Standard tested door approved for caravans
- Incl. Mounting set

Body door w/ HSC II cylinder insert, radius 89 mm Door hinge on left when viewed from outside. W/ integrated window Standard, for wall thicknesses of 31 - 33 mm, weight: 20 kg

35055 1516,-



All motorhome doors have the M1 approval



Cylinder Ø: 13 mm, Cylinder length: 23 mm

Key HSC, 2 pieces	20,80	Locking cylinder HSC	20,80
Key no. 481	<i>52449L</i> 52449	Cylinder no. 481	<i>52452L</i> 52452
Key no. 482	<i>524491L</i> 524491	Cylinder no. 482	<i>524521L</i> 524521
Key no. 483	<i>524492L</i> 524492	Cylinder no. 483	<i>524522L</i> 524522
Key no. 484	<i>524493L</i> 524493	Cylinder no. 484	<i>524523L</i> 524523
Key no. 485	<i>524494L</i> 524494	Cylinder no. 485	<i>524524L</i> 524524

Nrs. in italics = retailer info for loose goods in packaging units

Customized Made-to-measure doors & trunk lids

Flap and door system 2000

The flap/door system 2000 consists of a powder-coated aluminum frame and a filling consisting of white smooth sheet metal (outside), Insulation made of blue Styrofoam foam & white decorative panel made of polystyrene 1.5 mm (inside). The aluminum frame can be made in two different colors & finishes each: Color white or silver / corners round (radius 82.5 mm).

Installation is always carried out using adhesive technology & can also be carried out w/ screw claws for wall thicknesses between 28 mm & 43 mm. Standard locking system STS/ZADI, FAWO/HSC on request. If the cut-out material of the motorhome/caravan wall is to be used, only an aluminum frame (= frame work) w/o filling can be ordered.



Toggle lock



Recessed handle lock



from 1020,-

Already prefabricated doors in System 2000

- Prefabricated doors with standard dimensions
- For wall thicknesses from 30-35 mm
- Different types for motorhome or caravan

Caravan door	1700 x 525 mm incl. caravan lock	35000	1020,-
Motorhome door	1900 x 600 mm incl. M1 lock	35004	1194,-
Motorhome door	1700 x 525 mm incl. M1 lock	35001	1347,-
Caravan door, 2-piece	1700 x 525 mm incl. caravan lock	35003	1198,-

*Delivery without mounting material (screw claws)



Here it goes to the order form

Service case flaps

- Radius 83 mm
- Hinges right
- With Zadi Push Lock
- Door leaf outside & frame made of aluminum
- Door leaf inside ABS
- Incl. Mounting material
- Flap thickness: 30 mm
- For wall thicknesses from 30-43 mm
- Color: White



Useful dimension WxH	Cutout dimension WxH	Code	Price
620 x 590 mm	670 x 640 mm	37006	355,-
750x 250 mm	800 x 300 mm	37007	289,-
590x 320 mm	640 x 370 mm	37008	447,-
410 x 410 mm	460 x 460 mm	37010	431,-

Gas cylinderCase flaps

- Radius 83 mm
- Hinges right
- With Zadi Push Lock
- With ventilation slots
- Material: Aluminum
- Flap thickness: 30 mm
- For wall thicknesses from 30 - 43 mm
- Incl. Mounting material



Useful dimension WxH	Cutout dimension WxH	Code	Price
350x625 mm	400x675 mm	37004	322,-
450x350 mm	500 x 400 mm	37005	278,-



Detailed view of the lock (inside)



Detailed view of the lock (exterior)



Fold-out Picnic table

- Space-saving & practical
- Simple & quick installation
- Made of stainless materials
- Large, additional usable space
- Without additional cylinders and keys
- Anodized aluminum inner surface
- Loadable up to 30 kg
- Incl. Mounting material

Material: plastic/anodized aluminum

Color: white

Outer dim.: 800 mm x 450 mm

Usable size (table surface): 715 mm x 365 mm

Load cap.: 30 kg

30009 217,-



CASE FLAPS / REVISION OPENINGS



Service flaps with lock

With 2 keys. UV resistant ABS.

Outer dim. L151 x H166 mm, Mounting dim. L107 x H122 mm	30002	10,80
Outer dim. L193 x H165 mm, Mounting dim. L149 x H120 mm	30003	11,90



from **34,40**

Inspection flaps with interlock

With one or two locking levers. Hinge opening 180°. UV resistant & corrosion free.

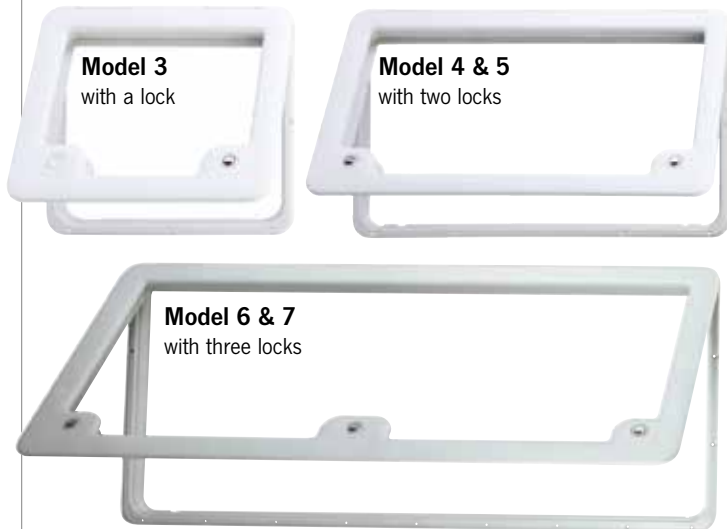
Outer dim L375x H270 mm, clear opening L295 x H195 mm	1 locking bolt	30004	34,40
Outer dim L440x H315 mm, clear opening L358 x H240 mm	2 locking latch	30005	38,70
Outer dim L606x H353 mm, clear opening L524 x H278 mm	2 locking latch	30006	49,60



Inspection openings with screw cap

Mounting rings made of ABS. The lid is screwed on w/ a coarse thread. UV resistant & corrosion free.

Outer Ø 198 mm, Clear opening Ø 151 mm	30007	10,40
Outer Ø 250 mm, Clear opening Ø 180 mm	30008	14,80



Model 3
with a lock

Model 4 & 5
with two locks

Model 6 & 7
with three locks



Replacement door seal for:

Model 3	66132	25,20
Model 4	66133	27,10
Model 5	AA0015	27,20
Model 6	661331	41,40
Model 7	661332	33,40

Replacement locks complete for:

Model 2	E3816	32,70
Model 3/4	66135	29,80

Case flaps - frame

- For all wall thicknesses
- With cutout template
- Vehicle optics remains intact
- With sturdy locks and Zadi cylinder
- Cut out sheet metal is inserted into flap frame
- Double sealing for optimal insulation



Type	Color	Outer dim. WxH	Cutout dim. WxH		
Model 3	White	385 x 335 mm	349 x 296 mm	661501	107,-
Model 3	Light gray	385 x 335 mm	349 x 296 mm	661510	107,-
Model 3	Black	385 x 335 mm	349 x 296 mm	661511	107,-
Model 4	White	700 x 395 mm	648 x 348 mm	661521	141,-
Model 4	Light gray	700 x 395 mm	648 x 348 mm	661530	141,-
Model 4	Black	700 x 395 mm	648 x 348 mm	661523	141,-
Model 5	White	785 x 340 mm	749 x 297 mm	661481	141,-
Model 5	Light gray	785 x 340 mm	749 x 297 mm	66149	141,-
Model 5	Black	785 x 340 mm	749 x 297 mm	661485	141,-
Model 6	White	1038 x 465 mm	997 x 419 mm	661563	217,-
Model 6	Light gray	1038 x 465 mm	997 x 419 mm	661567	217,-
Model 6	Black	1038 x 465 mm	997 x 419 mm	661564	217,-
Model 7	White	1108 x 346 mm	1069 x 299 mm	661568	217,-
Model 7	Light gray	1108 x 346 mm	1069 x 299 mm	661570	217,-
Model 7	Black	1108 x 346 mm	1069 x 299 mm	661569	217,-



SK 4

SK 5

Including 2 keys and lock cylinders

Case flaps - SK 4 and SK 5

- Frame made of resistant plastic ASA
- Color Fiat white from model 95 (Fiat bianco)
- Circumferential rubber seal, for horizontal & vertical installation
- Cut out sheet is used as a filling
- With sturdy lock
- Including 2 keys and FF lock cylinder



Case flap SK 4 w/ external hinges	Cut-out dimension	Outer dimension	Useful			
dimension	Wall thickness	Interlock				
375 x 305 mm	409 x 338 mm	335 x 265 mm	23-32 mm	Simply	30040	141,-
700 x 305 mm	734 x 338 mm	660 x 265 mm	23-32 mm	Multipoint	30048	207,-
700 x 405 mm	734 x 438 mm	660 x 365 mm	23-32 mm	Multipoint	30050	217,-
1000 x 405mm	1034 x 438 mm	960 x 365 mm	23-42 mm	Multipoint	30052	257,-

Case flap SK 5 with internal hinges

Cutout dim.	Outer dim.	Useful dim.	Wall thk.	Interlock	
360 x 310 mm	385 x 335 mm	337 x 288 mm	23-36 mm	Multipoint	30053 152,-

Case flaps - frame

- For all wall thicknesses
- Stable frame
- Cut out sheet is reused as filling
- Appearance of the vehicle is preserved
- Inner plastic frame provides good transition to interior
- Sturdy lock w/ 2 security keys

Cutout dim.	Outer dim. WxH	Useful dim. WxH		
365 x 296 mm	406 x 330 mm	360 x 293 mm	30045	106,-
552 x 277 mm	595 x 315 mm	530 x 252 mm	30046	108,-
800 x 300 mm	840 x 345 mm	780 x 280 mm	30047	119,-



Magnetic Door holder

2 magnets w/ a holding force of app. 10 kg secure open entrance door against unintentional slamming. Due to movable bearings, magnets adhere optimally.

Pair	52405	32,70
------	--------------	--------------



Magnet door catch

2 strong magnets hold entrance door on caravan / motorhome securely open, the built-in spring provides even better wind resistance. W/ angle compensation.

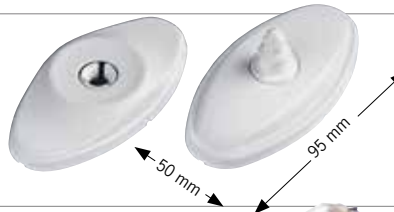
Black (not shown)	524672	31,10
White	52467	31,10



Door latch

Door stop made of plastic. Weight app. 53 g.

White	524674	14,10
	<i>524674L</i>	



Flap holder For hooking behind flaps / doors.
53314 **4,90**



Hold-open for doors and flaps

Door holder

2 pieces, plastic pure white **532503** **8,20**
532503L

Door holder, plastic white **52465** **3,60**
Shim, 1 cm high (not shown) **52466** **2,30**

Shim for Door holder
2 pieces, plastic 10 mm pure white **532504** **3,85**
532504L
Fiat bianco **532506** **3,85**
532506L

Numbers in italics = retailer information for loose goods in packaging units

Hold-open for doors and flaps

Protects against door slamming in windy conditions, keeps suitcase flaps open.

Dark gray	52450	3,50
	<i>52450L</i>	
White	524503	3,75
	<i>524503L</i>	
Black	524507	3,75
	<i>524507L</i>	
Beige	524501	3,75
	<i>524501L</i>	
Light gray	A0426110	2,15



Spacer plate

for elevated mounting. Height 10 mm.

Dark gray	524502	1,85
	<i>524502L</i>	
White	524504	1,85
	<i>524504L</i>	
Black	524505	1,85
	<i>524505L</i>	

Twist lock metal (sash lock)

Fuse for large flaps. Zinc die-cast chrome plated. Overlap 3 mm. Height base plate 5 mm

53253	16,40
	<i>53253L</i>

Overlap 6 mm. Height base plate 8 mm

53291	14,80
--------------	--------------



Plastic twist lock (sash lock)

Fuse for large flaps. Plastic, 3.5 mm base plate.

Brown	53254	5,70
	<i>53254L</i>	

White	532542	6,-
	<i>532542L</i>	

Light brown	A1382960	3,25
-------------	-----------------	-------------



ZADI LOCKS FOR MOTORHOMES AND CARAVANS



Door lock

- New Basic Black
- As a retrofit or new installation as a keyed alike system for motorhomes and caravans
- Delivery without cylinder and without key

Door Lock New Basic White

Dims.: app. L220 x W135 x H37 mm **52613 46,30**

Door lock interior part New Basic Black

Dims.: app. L238 x W117 x H60 mm
for wall thicknesses up to 37 mm **52615 88,20**
Spacer sleeve 7 mm **52683 4,90**

Matching inner part

- For 34 mm wall thickness
- As a retrofit or new installation as a keyed alike system
- Delivery without cylinder and without key

Outer mounting dim. 110 mm, inner part L119 x W56.5 mm

Outer part black / inner part black **52607 43,10**
Outer part white / inner part black **52608 43,10**



Recessed grip lock cube

- Can be used for wall thicknesses from 24 to 38 mm.
- Delivery without cylinder and without key

External and internal lock, for STS/ Zadi locking cylinders. Dims. 140 x 80 mm (WxH)

Black 52474 64,40
White 52590 59,50



Caravan lock

- For wall thicknesses of 26 mm
- As a retrofit or new installation as a keyed alike system for caravans
- Delivery without cylinder and without key

Dims. outer part app. L 220 x W 57 x H 37 mm

Left side, black 52612 42,40
Left side, white 52665 42,40
Right side, black 52604 42,40
Right side, white 52605 42,40

Dims. inner part L 118 x W 141 mm
Black 52606 21,30



Outdoor part motorhome-door lock

- As a retrofit or new installation as a keyed alike system for motorhomes and caravans
- Delivery without cylinder and without key

Dims. outer part app. L 220 x W 57 x H 37 mm

Black 52611 35,90



Caravan lock complete set

- In two colors
- For wall thicknesses from 20 to 35 mm
- Delivery w/o cylinder & w/o key

Dims. outer part app. L 220 x W 57 x H 37 mm
Dims. inner part L 132.5 x W 56.5 mm

Black 52601 51,10
White 52602 56,70
Spacer plate for small wall thicknesses 13 mm 52603 4,05



Suitcase flap lock "Eurogarage"

- For retrofitting or new installation as a keyed alike system for motorhomes and caravans
- Delivery without cylinder and key

Dims. inner part L118 x W141 mm, outer part L103 x W99 mm

For wall thickness 26-34 mm, white **52642 44,20**
For wall thickness 34-42 mm, white **52643 45,30**
For wall thickness 26-34 mm, Black **52645 45,30**
For wall thickness 34-42 mm, Black **52644 46,40**
Spacer plate(6 mm) for smaller wall thicknesses **52646 5,75**



ZADI

Suitcase flap lock "Standard"

- For wall thicknesses up to 35 mm
- For retrofitting or new installation as a keyed alike system for motorhomes and caravans
- Delivery without cylinder and key

Mounting hole Ø 24 mm Dims.: L 46 x W 36 x H 14 mm

Black	52649	17,50
White	52650	17,50
Black (without outer housing and lever)	52652	13,-
White (without outer housing and lever)	52653	13,-



ZADI

Suitcase flap lock "Square"

- For wall thicknesses up to 24 mm
- For retrofitting or new installation as a keyed alike system for motorhomes and caravans
- Supplied without cylinder and key

With dust cap.
Mounting hole Ø 24 mm,
Dims.: L 40.5 x W 40.5 x 6 mm

Black	52647	18,-
White	52648	18,-



STS Oberholz

Salino Turnbuckle

- Waterproof, corrosion-protected
- Suitable for wall thicknesses from 26 - 50 mm

Turnbuckle incl. bolt and mounting plate. No protruding edges when closed, as the handle is recessed flat in the handle shell. Can be used for wall thicknesses of 26 - 50 mm, including transom and mounting plate. Dims.: 150 x 70 mm suitable for STS/Zadi locking cylinders.

467300	48,50
---------------	--------------

Key and cylinder

- Retrofit or new installation
- Co-locking system for motorhomes & caravans

STS / ZADI



ZADI locking cylinder and key blank

	52626	6,-
1 cylinder and 2 keys	52628	21,70
2 cylinders and 2 keys	52629	22,80
3 cylinders and 2 keys	52630	25,-
4 cylinders and 2 keys	52631	27,20
5 cylinders and 2 keys	52632	29,40
6 cylinders and 2 keys	52633	31,60
7 cylinders and 2 keys	52634	33,70
8 cylinders and 2 keys	52635	35,90

STS / ZADI

Lock cylinder and key

with inner web key, suitable also for older STS and ZADI locking systems.

1 cylinder and 2 keys	52571	24,-
2 cylinders and 2 keys	52572	32,20
3 cylinders and 2 keys	52573	42,40
5 cylinders and 2 keys	52574	60,-



STS Oberholz

NEW
2024

Suitcase flap lock "Ellipse" small

- For wall thicknesses up to 40 mm
- For retrofitting or new installation as a keyed alike system for motorhomes and caravans
- Delivery without cylinder and key

Mounting hole Ø 24 mm, dims.: L 78 x W 41.5 x 16 mm

Black	52654	24,-
White	52655	24,-

Luggage flap lock "Ellipse" large

- For wall thicknesses up to 40 mm
- As retrofit or new installation as a keyed alike system for motorhomes and caravans

Elliptical flap lock with PUSH system (supplied without cylinder and key).
Mounting hole Ø 25 mm, dims.: L 110 x 42 x 16 mm

Black	52656	24,-
White	52666	24,-



STS Oberholz

NEW
2024

"Ellipse" twist lock, small

- For wall thicknesses up to 50 mm
- With latch and mounting plate

Waterproof and corrosion-protected for STS/Zadi locking cylinders (supplied without cylinder and key).
Dims.: (WxH): 78 x 42 mm.

Black	52599	35,50
White	52583	35,50

Twist lock "Ellipse" large

- For wall thicknesses up to 50 mm
- With latch and mounting plate

Waterproof & corrosion-protected for STS/Zadi locking cylinders. (Supplied without cylinder and key).
Dims. (WxH): 110 x 42 mm.

Black	52668	35,50
White	52667	35,50



STS Oberholz

NEW
2024

"Slim-Line" twist lock

- For wall thicknesses up to 50 mm
- With latch and mounting plate

Waterproof & corrosion-protected for STS/Zadi locking cylinders (supplied w/o cylinder and key). Dims. (WxH): 110 x 42 mm.

Black	52671	35,50
White	52670	35,50

ZADI

Luggage flap lock w/ handle

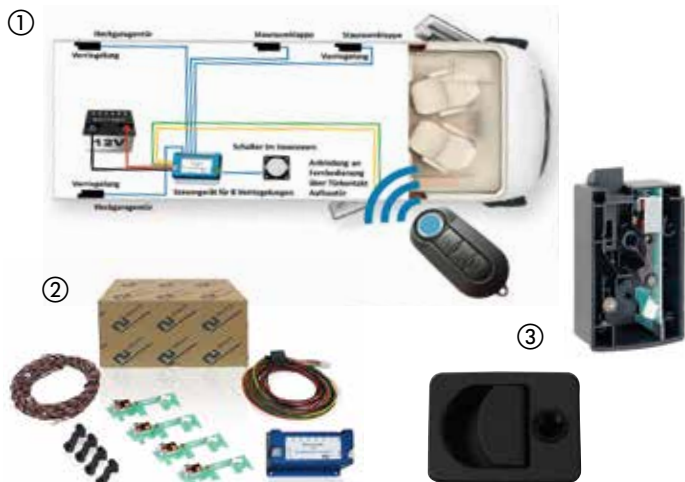
- For retrofitting or new installation as a keyed alike system for motorhomes and caravans
- Delivery without cylinder and key



With grip tab. Mounting hole Ø 24 mm.
Dim.: L 46.0 x W 36.0 x 4.0 mm

White	52657	16,30
Black	52651	16,30

LOCKS FOR MOTORHOMES AND CARAVANS



Central locking for up to 16 flap locks

- For Carthago, Concorde, Morelo, Phoenix, Bürstner and Dethleffs motorhomes as well as motorhomes w/ STS or Happich locks on outer flaps
- Easy to retrofit

W/ just one press of remote control or central switch in vehicle, you can unlock up to sixteen flaps on vehicle at the same time,

① **Starter set** 1 x central control unit, 4 x actuators/locks for locks, 4 x deflection levers, 4 x retaining clips, 4 x 4 meter connection cable for locks, 1 x connection cable for control unit incl. fuse, 1 x switch cable for switches in interior. **30000 520,-**

② **Accessories: Locking device for flap locks** (not shown) incl. accessories & connection cable 1 piece **30001 79,60**

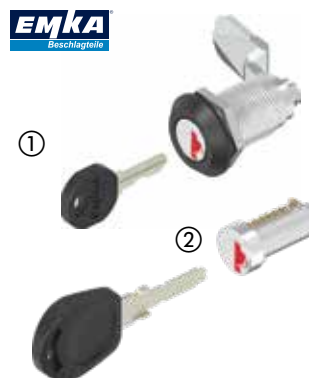
③ **Recessed grip lock Kubus** Ergonomic, w/ smooth operation, for STS and Zadi lock cylinders, for leaf thickness from 28 to 35 mm, black

Scope of delivery: Recessed grip lock incl. 4 screws (without lock cylinder) **52474 64,40**



Door and Flap locks

- ① **Caravan door lock complete** w/ 2 keys & lock cylinder, for wall thicknesses of 25 - 35 mm
Black 52475 43,60
- ② **Compensation panel** for thin walls, app. 11 mm thick **52479 4,60**
- ③ **Inside pull handle**
Makes it easier to close door from inside **52478 3,75**



① Sash lock for plug-in cylinders

Housing GD-Zn surface at choice; adapter GD-Zn raw; nut and bolt St galvanized **467185 10,70**

② Matching plug-in cylinder with 2 Keys

Same closure 8888 **467395 10,30**
Different locking **467396 13,20**



Double Red" twist-lock latch for storage box

Please separate key and lock cylinder order (467397 or 467396)

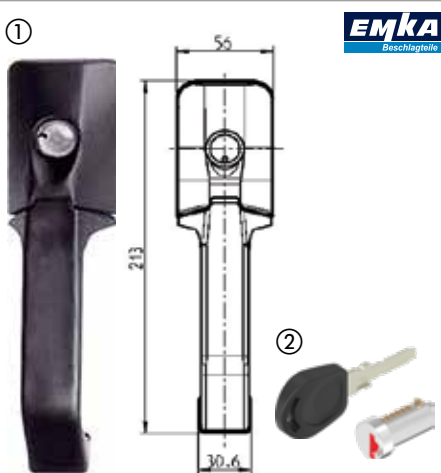
Material polyamide black, dims.: 44 x 82.5 mm

① **With double optical opening indicator 467390 15,10**

② **Basic version without opening indicator 467392 9,85**

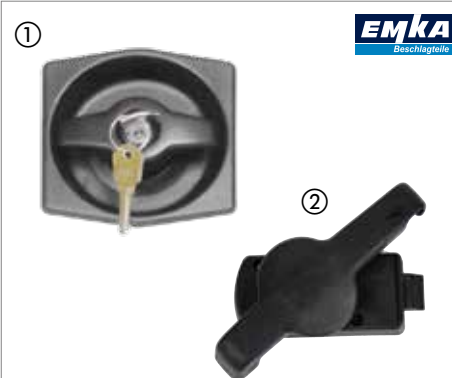
③ **Matching tongues**

HxL 35x45 mm	467389	1,15
HxL 28x45 mm	467385	0,85
HxL 16x45 mm	467386	0,75
HxL 13x45 mm	467387	0,60
HxL 6x45 mm	467388	1,05



① **Outside handle for doors,**
Material polyamide GF black, w/ bell crank, cap & handle bearing POM, bush GD-Zn galvanized. With seal & spring. Dims.: L 213 x W 56 **467397 22,90**

② **Matching plug-in cylinder w/ 2 keys**
Lock 8888 **467395 10,30**
different locking **467396 13,20**



① **External handle polyamide black w/ 2 keys**
Lockable in GX locks. Ball stainless steel, washer & screws galvanized. With spring. Dims.: 102 x 102 mm For door thickness 24-29 mm, left **467399 40,40**

For door thickness 24-29 mm, right **467400 40,40**

② **Matching interior lock**
For door thickness 35-29 mm right **467393 17,70**
For door thickness 32-36 mm left **467394 17,80**

Keyed alike lock systems HSC system

- The locks can be combined w/ each other if they are suitable for the same locking cylinder
- Select key & lock cylinder w/ same numbers
- You then only need 1 key for flaps and doors

- ① **Caravan door lock w/ internal locking system**
Black, w/ rubber seal. Dims.: outside H107 x W 107 mm, inside H56 x W120 mm. Required cut-out dim.: Ø 94 mm, door thickness from 32 - 40 mm.
For HSC cylinder + FF system ZWO **52439 25,10**
- ② **Compensation plate for caravan lock**
for small wall thicknesses, app. 11 mm thick **52479 4,60**
- ③ **Interior pull handle for caravan lock**
Facilitates closing door from the inside **52478 3,75**
- ④ **Motorhome door lock M1 w/ inside lock**
Black exterior / light gray interior. External dim.: H 121 x W 130 mm, Inside dim.: H 151 x W 143 mm. Required cutout dimension: H 105 x W 100 mm. Door thickness 32 - 40 mm. For HSC cylinders **52477 152,-**
- ⑤ **Flap closure**
for HSC cylinders, Mounting Ø 20 mm **52441 10,90**
- ⑥ **Toggle lock for HSC cylinder.**
White, transom straight **524466 17,-**
Light gray (RAL 7035), cranked bolt **A3311390 30,10**
- ⑦ **Stowage flap lock w/ inner part.**
For HSC cylinder, white **524346 43,60**
- ⑧ **Cover for filler neck for HSC cylinder**
Blue **652242L 652242 18,50**
White **65224L 65224 15,80**
Black **652241L 652241 17,40**
- ⑨ **Twist lock Olive S 78 mm**
for HSC cylinder, black **524461 19,60**
- ⑩ **Opera flap lock for HSC cylinders, w/ adjustable clamp locking for large case flaps w/ wall thicknesses of 25 - 45 mm. W 120 mm, H 112 mm, D 50 mm (w/o bracket), weight app. 270 g.**
Black **53345 29,20**



Key and Locking cylinder HSC system



Key HSC, 2 pieces	20,80
Key no. 481	52449L 52449
Key no. 482	524491L 524491
Key no. 483	524492L 524492
Key no. 484	524493L 524493
Key no. 485	524494L 524494



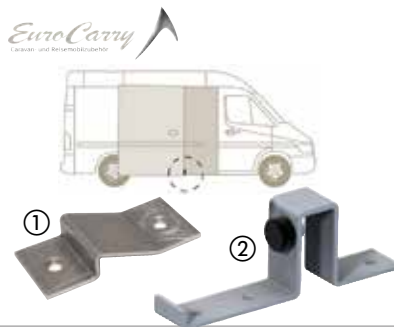
Cylinder Ø: 13 mm
Cylinder length: 23 mm

Locking cylinder HSC	20,80
Cylinder no. 481	52452L 52452
Cylinder no. 482	524521L 524521
Cylinder no. 483	524522L 524522
Cylinder no. 484	524523L 524523
Cylinder no. 485	524524L 524524

Stainless steel Sliding door lock for Fiat Ducato, Boxer & Citroën Jumper

Allows sliding door to be locked in half-open position. Especially convenient when kitchen unit in doorway. Mounting in the slide rail. Screws included.

- ① 1 steel angle, door is locked at mounting point, but can still be opened completely
from YOC. 07 **441892 8,75**
- ② 1 Steel angle w/ rubber buffer, door can only be opened by open to mounting position
from YOC. 07 **441891 36,60**



Caravan motorhome door lock

- Complete w/ sealing frame
- Pull handle on outside, lockable lever handle on inside
- Painted die-cast zinc

External dims.: 115 x 66 mm. Right/left mounting. Minimum door thickness 24 mm. With 2 keys **532381 107,-**

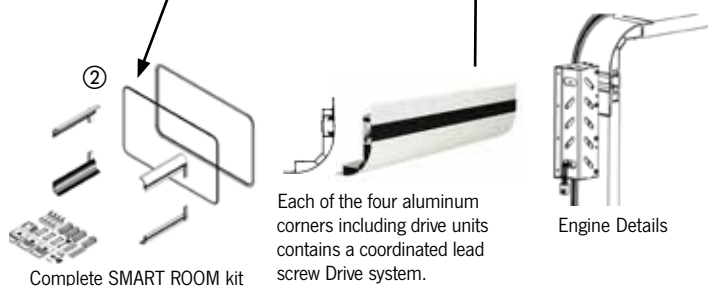


Suitcase flap lock Magic

(FF system ZWO/HSC)
W/ seal & zamak handle (painted black/silver). Complete w/ interior lock Black w/ silver handle.
53347 32,20



SLIDE OUT SYSTEM / XXL SLEEP ROOM CONCEPT



SMART ROOM - Widen or extend your vehicle

- Premium slide-out specially developed for Europe
- Manufactured by the world leader in slide-outs
- Modular system available from stock
- Other dimensions possible upon request
- Special waterproofing for rain etc. available.
- Select: 1. Extension length, 2. Size of pull-out cabin

Patented, space-saving design. The compact sliding mechanism integrated into wall is most effective sliding system in the world. Mechanism is fully integrated into wall and provides more living space than other sliding systems on the market.

① Select desired extension length of aluminum profiles:

Extension length 700 mm	41062	3946,-
Auszugslänge 1000 mm	41061	4867,-

Scope of delivery:

- 4 x aluminum corner profiles w/ integrated drive units
- 4 x drive motors
- 1 x control box
- 4 x cables for motors

Box/side panels not incl. in scope of delivery.

② Select size of pull-out cabin: Width x height:

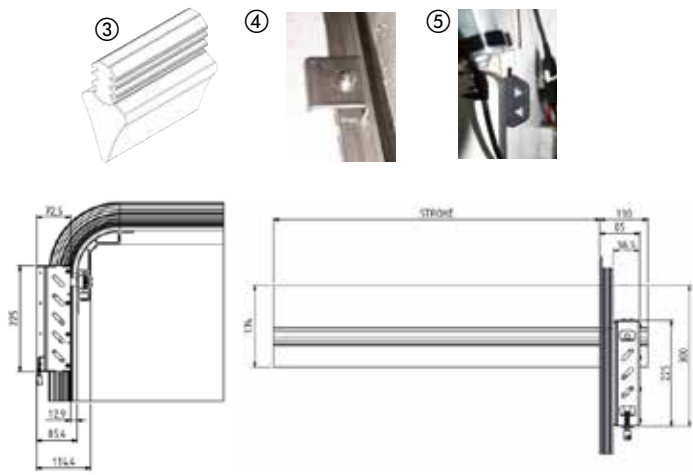
1600 x 1500 mm	41064	1068,-
2500 x 2000 mm	410641	1450,-
3500 x 2000 mm*	410642	1754,-

* Possible on order

Scope of delivery w/o box/side panels & V Seal rubber edging

Required accessories:

③ V Seal rubber profile 20 m	410644	311,-
④ Wall clip (connection wall to corner profile)		
1 piece	410645	3,20
⑤ Operating switch	410646	30,-



You can find suitable awnings for your Slide Out in the Awnings section.

Please note:



The side panels are not included in scope of delivery. You can make the matching cabin with your desired materials. Our specialist dealers will be happy to help you.

XXL Sleep - the new room concept for the panel van with transverse bed

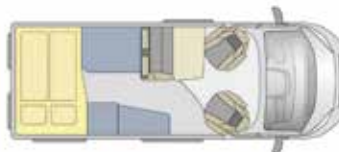
- From transverse bed to longitudinal bed in just 15 minutes
- Or additional sleeping places for the little ones
- Toolless assembly
- Bed size: WxL 150/190 x 210 cm
- Original bed is still available
- Rear windows in doors remain fully functional
- Suitable for all panel vans L1-L3, height H2
- Porthole and window sill for back wall included
- Access to the storage space remains

The innovation to change your bed in camper from transverse to Convert longitudinal bed. Without tools your sleeping comfort will be increased considerably. For a quick overnight stay on the way to your vacation destination, your original bed is of course still available. The basic assembly must be carried out in a specialist workshop.

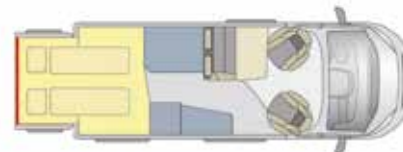
Scope of delivery for one XXL Sleep set:

Carrier system w/ rear walls, roof system, self-supporting w/ integrated tensioning device, add. cushions in manufacturer quality, lower strut + rear tarpaulin + rear floor, color silver-grey.

42190 2878,-



Panel van w/ transverse bed as standard version



XXL Sleep w/ longitudinal bed in king size format

For Mercedes-Benz Sprinter >2006 (NCV3, VS 30) length 593 mm and Volkswagen Crafter 1 and 2 / MAN TGE, length 593 cm or 599 cm

Fitting a body widener to Sprinter and Crafter extends bed width in the rear of the vehicle by app. 110 mm on the driver's side (left) and by app. 60 mm on the passenger side (right).

The widened space makes it easy to install a transverse bed in the rear of your maxi camper. Increase sleeping comfort by fitting both sides of the vehicle with a body extension.

The aerodynamic GRP shapes adapt very well to the vehicle contours and increase the vehicle width by only a few centimeters.

Assembly: The extensions are firmly bonded to the body and stably connected to the vehicle wall by means of additional rivets. Available for driver side (MB Sprinter, VW Crafter, MAN) & passenger side (VW Crafter, MAN).



Fig. shows widening left, MAN

Body extensions:

For Volkswagen Crafter > 2016 / MAN TGE

For Volkswagen Crafter 2 / MAN TGE >2016, vehicle length: 593 cm or 599 cm. Material: GRP, surface: gelcoat black, paintable.

Position: left, extends the interior space by app. 110 mm.
15095 577,-

Position: rechts hinter der Schiebetür.
Extends the interior space by app. 60 mm.
150951 577,-

For Volkswagen Crafter 2006 - 2016 / Mercedes-Benz Sprinter > 2006

For Volkswagen Crafter 1 / Mercedes-Benz Sprinter 2 >2006 (NCV3, VS 30), vehicle length: 593 cm. Material: GRP, Surface: Gelcoat. Color black (VW Crafter 1), color white (MB Sprinter), paintable.

Position: left, extends the interior by app. 80 mm.
15096 544,-

Optional accessories: Sliding door spacer kit for Volkswagen Crafter > 2016 / MAN TGE

Sliding door spacer kit is required if a body extension is fitted on the right-hand side. The kit extends the distance between the open sliding door and the vehicle body. This allows sliding door to be opened completely even when body extension is fitted.

28500 152,-



Fig. shows widening Volkswagen Crafter 2, right



Fig. shows widening Mercedes-Benz Sprinter 2, left



INSECT PROTECTION/CONSTRUCTION LIGHT

CARBEST 



from **13,10**

Handy outdoor Lights

- Chic design
- Practical & safe against mosquitoes
- All lights come uniformly in green / gray

① Small light with hook for loading for tents

IPX7 (waterproof up to 1 m), Ø 80 x 102 mm

930613 13,10

② Large light w/ mosquito protection

With USB port & power bank (2000 mAh), Ø 98 x 123 mm

930614 27,20

③ Foldable lamp with mosquito protection

Rainproof, Ø 94 x 52 mm

930615 18,50

④ Rechargeable camping light w/ insect killer

With 3.7V, 2000mAh Li-polymer battery. Charging via micro USB. Simply place on a table or hang w/ integrated hook. Material: ABS, dims.: 88 x 129 mm, weight: app. 205 g

83494 27,20

CARBEST 



230V



16,30

Insect protection also in front of vehicle

Maikrechargeable insect killer Insects are attracted by light and killed by electric shock when they touch the grid. With 4 watt fluorescent tube & 230 V charger. Battery charging time 9 / Battery running time 7 hrs.

Dims. 19 x 9x 27 cm. Weight 2,2 kg **903911 16,30**



4,35

AntiMosquito spiral



10 spirals and 2 holders. Use outdoors only. Smell of glowing scent spiral drives away insects. Glow time per coil 5 - 6 hrs.

10 spirals + 2 holders

90390 4,35

Danger: H411

CARBEST 



Fewer insects in the vehicle due to red light



12V 24V

E A ↑ G

LED surface mounted luminaire Dual Colour

- Warm white light for cozy ambient lighting
- Red light to avoid attracting insects
- Sturdy aluminum housing
- Easy assembly: screw or glue

40,30

The 12/24V dual color LED light equipped w/ 12 warm white SMD LEDs & additional 12 red SMD LEDs. Color change via switch. Dims.: 270 mm long, connection cable app. 30 cm. **83589 40,30**





Fly screen door w/ pleated insect screen gauze

- For almost all caravans & motorhome doors
- The gauze is pleated and folded
- The tension bar remains in any position
- Cassette including tension bar only 50 mm wide

Pleated insect gauze. Highly visible & very decorative. The bar can be operated at any height and fits well into the door opening. Color: Light gray.

W 650 mm (max.), H 1935
 35043 273,-

Aluminum cable guide threshold
 to carry out lines and cables. W 750 mm.
 Door becomes 36 mm higher.
 35044 45,80



Gauze pleated and folded



Cassette only 50 mm wide



Cable entry under of threshold possible



REMIcare II - Pleated blind Insect screen door

- Insect screen in elegant pleated design
- One-hand operation possible at any height
- Particularly smooth running
- Simple assembly
- Two body heights for caravans & motorhomes

No annoying insects: What good are protective blinds on windows if door is open? But on the other hand, you want a little fresh air in the living room in between. With REMIcare II, you no longer face this problem. No stuffy air & sleepless nights due to permanently buzzing mosquitoes - just open the door & close the pleated blind.

There are 2 frame depths available, 58 mm (mostly for caravan doors) and 92 mm (mostly used in motorhomes). Determine the appropriate height dimension inside, from the bottom edge of attachment to top edge of the upper door rubber + 25 mm. The width can be shortened individually.

Dims.:

Wide	Height	Depth		
650 mm	1800 mm	58 mm	35039	273,-
650 mm	2000 mm	58 mm	350391	298,-
650 mm	1850 mm	92 mm	35040	305,-
650 mm	2000 mm	92 mm	350401	316,-

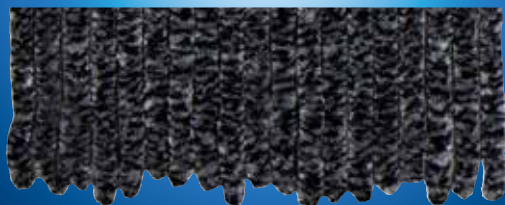
from 273,-



Gauze pleated and folded



NEW
2024



Extra dense chenille fleece curtains

- Narrow fleece tapes, therefore higher density
- Even better protection against insects & draughts
- Even better protection from prying eyes

Fleece tapes of the new fleece curtains from Carbest have a narrow diameter of 26 mm per strand. Due to higher density, they provide better protection against insects & draughts. They also ensure pleasant level of privacy & reliably prevent people from looking into vehicle.

Size W 56 x H 185

Black / gray	912641	27,20
White / gray (not shown)	912642	27,20
Size W 56 x H 205 Black / Gray	912643	32,70
White / gray (not shown)	912644	32,70

ChenilleFluffy curtains

- Protects effectively against insects
- Reduces the draught
- Keeps prying eyes away



The fluffy plastic straps are made of 100% polypropylene & have a diameter of 40 mm. Fleece curtains have plastic rail at the upper end, which is mounted above the vehicle door or the awning entrance. Length and width of curtains can be shortened individually.

For panel van sliding/rear doors

(W 120 x H 185 cm)

Suitable for Volkswagen, Mercedes Viano or Fiat. Length & width can be shortened if needed. (Individual installation required depending on vehicle type)

③ Gray / Black	912634	47,90
⑫ Grau / Weiß	912604	47,90
⑧ Gray / Dark blue	912606	47,90

For motorhome doors (W 56 x H 205 cm)

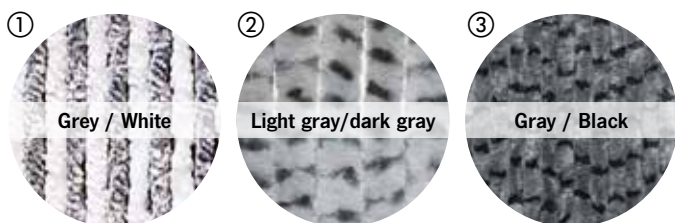
② Light gray / dark gray	912637	27,20
⑩ Taupe / White	912638	27,20
⑥ Gray / Dark green / White	912635	27,20
⑤ White / Gray / Black	912631	27,20
① Gray / White	91244	27,20
⑪ Brown / Beige	912440	27,20
⑦ Gray / Blue / White	912441	27,20
⑧ Gray / Dark blue	912447	27,20
④ Gray / Black / White	912608	27,20
③ Gray / Black	912609	27,20

For caravan doors (W 56 x H 185 cm)

② Light gray / Dark gray	912639	25,10
⑩ Taupe / Weiß	912640	22,95
⑥ Gray / Dark green / White	912636	25,10
③ Gray / Black	912633	22,95
⑤ White / Grey / Black	912632	25,10
① Gray / White	91263	25,10
⑪ Brown / Beige	912600	25,10
⑦ Gray / Blue / White	91260	25,10
⑧ Gray / Dark blue	912610	25,10
⑨ Gray / Red / White	91262	25,10

For awning & balcony doors (W 100 x H 200 cm)

① Gray / White	91243	43,60
----------------	--------------	--------------





**Mosquito net door curtain
4 pieces**

- 4 mosquito net slats provide effective protection
- Visually shield interior of caravan or motorhome
- For all motorhome doors (can be shortened)

This version is very suitable for use even in office or home. Material: 100% polychloride. W 95 x H 220 cm
912653 38,10

38,10



White / Blue



White / Black

Sara cord curtain

- Very decorative curtain in a beautiful design
- Elements washable
- Material: 100% PVC

Size: W 60 x H 190 cm.

White / Blue

95202 32,70

White / Black

952025 32,70

32,70

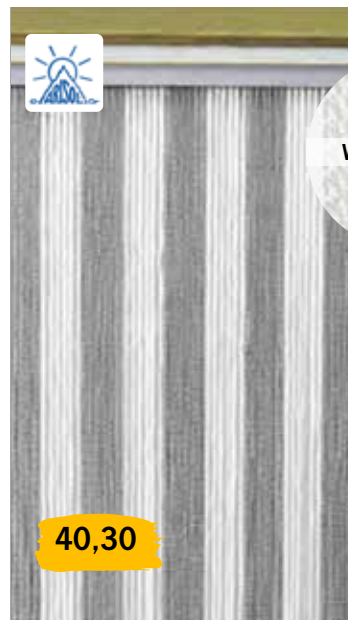


Mosquito net door curtain 2 parts

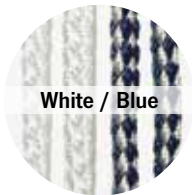
- 2 overlapping Mosquito net panels
- Good tension due to reinforced edge strips

Velcro strap holds the rolled up mosquito net. Height adjustable. Door curtain is mounted with a rail. Adjustable in height. Easy to attach and remove. 2 panels, width 35 cm each, height 230 cm.

912443 45,80



White / Grey



White / Blue

Korda cord curtain

- Elements washable
- Material: 100% polyester

Size: 60 x H 190 cm.

White / Grey

95203 40,30

White / Blue

952030 40,30

40,30



Vanscreen - Insect screen sliding door for Fiat Ducato X290, H2 high door cut-out, long wheelbase from YOC. 2015

- Aluminum frame for high resistance

Scope of delivery: Mosquito net, PVC frame & mounting material incl. screws. Dims.: 1204 x 1709 mm, weight: app. 4.5 kg

35008 382,-



Mosquito net for windows Suitable for VW T4 station wagon /bus YOC. until 2003 for original sliding windows

46134 60,-



Fly screens for bathroom windows

- Perfect fit for Adria Twin Supreme & Twin Plus from YOC. 2019

461300 163,-





VW Caddy



Citroën Spacetourer

Mosquito nets for VW Caddy & Citroën Spacetourer

- Easy attachment w/ elastic band or magnets
- Fine mesh flexible insect screen net
- No modification to the vehicle necessary
- Center door opening
- Zipper opening operable from inside & outside

For right or left sliding door w/ & without glazing. Easy to attach thanks to the integrated elastic band or magnets. The tailgate net with 2 zippers can be rolled up & fixed. Net closes reliably at the bottom of the sill w/ a lead tape.

For Volkswagen Caddy

Short wheelbase YCO. 2003-2020 Long wheelbase YOC. 2008-2020

Sliding door opening (w/ elastic band)	46283	196,-
Hecktür (mit Gummizug)	46284	196,-

Caddy Maxi 5 from YOC. 2021 (also suitable for Ford Connect 3)

Sliding door opening (with magnets)	461336	239,-
Hecktür (mit Gummizug)	461335	266,-

For Citroën Spactourer/Jumper & identical vehicle types

Peugeot Traveller/Expert, Toyota Proace Verso (all > 2016), Opel Zafira Life/Vivaro C (> 2019)

Sliding door opening (with magnets)	461334	203,-
Rear door (with elastic band)	461333	239,-

Mosquito nets for sliding doors, rear doors/flaps & driver's cab for Volkswagen Transporter

- Fastening w/ elastic or Velcro and press studs, depending on type
- Close-meshed mosquito net
- UV resistant polyester fabric
- Flexible and soft falling
- With zipper and lead tape



The mosquito net is stretched around tailgate or sliding door seal using a rubber cord or Velcro fastener or press studs & is tightly fitted at the bottom w/ lead tape. A large door with two-way zipper allows passage from the inside and outside without removing the net. The tailgate/sliding door can be closed easily. For the ride we recommend to remove the net.

For Volkswagen T5/T6

Station wagon, Startline up to model year. 2010 and California Beach without comfort trim

① Sliding door opening (w/ Velcro fastener)	461351	189,-
---	---------------	--------------

Multivan, Caravelle & Startline from YOC. 2010 with comfort cladding

① Sliding door opening (with Velcro fastener)	461350	207,-
---	---------------	--------------

California and California Beach from YOC. 2010 w/ comfort cladding

① Sliding door opening (w/ Velcro fastener)	461353	214,-
---	---------------	--------------

YOC. from 2003 estate, panel van, Multivan, California/California Beach, Caravelle w/ & w/o pop-up roof.

② Tailgate (w/ elastic band)	461331	214,-
③ Tailgate (with Velcro fastener)	46135	174,-

For Volkswagen T4 (w/o illustration) Until YOC. 2003

Sliding door opening (w/ Velcro fastener)	46132	158,-
---	--------------	--------------

Station wagon and panel van

Rear door (with Velcro fastener)	46133	179,-
----------------------------------	--------------	--------------

For Volkswagen T3 (w/o illustration)

YOC. 1980-1989

Sliding door opening (w/ Velcro fastener)	46130	174,-
---	--------------	--------------



Premium mosquito net for Volkswagen T5/T6 sliding door (right) & tailgate



- Fastening w/ Velcro fastener under rubber seal
- Velcro tape can remain permanently under rubber seal on vehicle
- Made from high-quality, robust & dense canvas fabric
- UV-resistant
- Roll-up and wide door
- Magnetic catch (sliding door) for quick entry & exit



For Volkswagen T5/T6

Sliding door opening (w/ rubber lip)	461360	197,-
Tailgate (with rubber lip)	461361	197,-

Insect screen for sliding and rear doors

- Held in place by Velcro & press studs / magnets or elastic band
- Close mesh mosquito net
- UV resistant polyester fabric
- Flexible and soft falling
- Center zipper and lead tape at the bottom
- Mounting material included with all nets

Thus, they effectively protect themselves against the little pests. Continue to enjoy the view. Good visibility is guaranteed. Another convenient feature is central zipper, which can be opened & closed from inside & outside. Fastening is done on the side and top w/ Velcro. The top press studs provide additional support. The bottom is weighted with lead tape. The high quality gauze is black.

For Mercedes-Benz Vito and Viano

Mercedes-Benz Vito YOC. < 2003

Sliding door opening (w/ Velcro)	46139	185,-
Rear door (with Velcro)	46142	234,-

Mercedes-Benz Vito/Viano YOC. 2004 - 2014

Sliding door opening (w/ Velcro)	46140	185,-
Rear door (with Velcro)	461401	185,-

Mercedes-Benz Vito/Viano YOC. > 2014

① Sliding door opening (w/ Velcro tape)	461402	185,-
Rear door (with Velcro)	461403	185,-
② Rear door, w/ blackout (w/elastic band)	461332	304,-

For Ford Transit/Ford Transit Custom

Fastening with Velcro tape.

Ford Transit 2000-6/2012

Sliding door	46451	196,-
Tailgate	46136	245,-

Ford Transit Custom >7/2012

③ Sliding door	461404	185,-
Tailgate	461405	185,-

For Renault Trafic, Opel Vivaro, Nissan NV300

Fastening with Velcro tape.

Sliding door opening YOC. 2007-2013	461411	196,-
④ Sliding door opening YOC. > 2014	461412	185,-
Rear door YOC. > 2014	461413	196,-



Fig. shows Ford Transit Custom





Mosquito nets w/ magnetic attachment

- Very simple & quick attachment w/ magnets
- UV resistant polyester fabric
- Mosquito nets for sliding doors suitable for Driver's side and passenger's side
- Zipper on both sides for opening from the inside & outside (mosquito net for sliding door & rear door)
- No modifications to vehicle necessary
- No additional tools required
- Scope of delivery mosquito nets cab windows: 2 pcs.



Cab window (2 mosquito nets included)



Sliding door



Tailgate



Vehicle type	Year of manufacture	Mounting	Item no.	Price
Citroën Dispatch/Jumpy/Spacetourer	>2017	Cab window	461301	70,80
Peugeot Expert/Traveler				
Toyota Proace/Proace Verso		Sliding door	461302	141,-
Fiat Scudo/Ulysse	>2022	Tailgate	461303	141,-
Opel Vivaro/Zafira Life	>2019			
Citroën Jumper	>2006	Cab window	461304	70,80
Fiat Ducato		Sliding door (H2/H3)	461305	141,-
Peugeot Boxer		Tailgate (H2)	461306	141,-
Ford Tourneo Custom/Transit Custom	>2013	Cab window	461307	70,80
		Sliding door	461308	141,-
		Tailgate	461309	141,-
Ford Transit	>2014	Cab window	461310	70,80
		Sliding door	461312	141,-
		Tailgate	461313	141,-
MB Sprinter	2006-2018	Cab window	461314	70,80
Volkswagen Crafter	2006-2017	Sliding door (H2/H3)	461315	141,-
		Tailgate (H2/H3)	461316	141,-
MB Sprinter	>2018	Cab window	461317	70,80
		Sliding door	461318	141,-
		Tailgate	461319	141,-
MB Viano/Vito	2003-2014	Cab window	461320	70,80
MB Vito	>2014	Sliding door	461321	141,-
		Tailgate	461322	141,-

Opel Movano	>2010	Cab window	461323	70,80
Renault Master	2010-2020	Sliding door	461324	141,-
		Tailgate	461325	141,-
Opel Vivaro	2014-2019	Cab window	461326	70,80
Renault Trafic	>2014	Sliding door	461327	141,-
		Tailgate	461328	141,-
Volkswagen Crafter	>2017	Cab window	461341	70,80
		Sliding door	461342	141,-
		Tailgate	461343	141,-
Volkswagen Caddy	2003-2020	Cab window	461329	70,80
		Sliding door	461330	141,-
		Tailgate	461337	141,-
Volkswagen Caddy V	>2021	Cab window	461338	70,80
		Sliding door	461339	141,-
		Tailgate	461340	141,-
Volkswagen T4 Caravelle/T4 Multivan/T4 Transporter	1990-2003	Cab window	461344	70,80
		Sliding door	461345	141,-
		Tailgate	461346	141,-
Volkswagen T5 Caravelle/T5 Multivan/T5 Transporter	2003-2015	Cab window	461347	70,80
		Sliding door	461348	141,-
Volkswagen T6 Caravelle/T6 Multivan/T6 Transporter	>2015	Tailgate	461349	141,-
Volkswagen Multivan	>2022	Cab window	461363	70,80
		Sliding door	461364	141,-
		Tailgate	461365	141,-
Volkswagen ID BUZZ	>2023	Cab window	461366	141,-
		Sliding door	461367	141,-
		Tailgate	461368	141,-



HINDERMANN

Insect screen for rear doors/tailgates

The insect screen curtains for the rear of the vehicle have two zippers. They are mounted using self-adhesive magnetic strips (incl. in scope of delivery).

Fiat Ducato 2007/2014 type 250/290, Citroën Jumper and Peugeot Boxer

Rear doors standard door cut-out	461735	316,-
Rear doors high door cut-out	461731	316,-
Hecktüren H3 variant (extra high)	461737	326,-
T5/T6 Heckklappe	461733	316,-
Ford Transit Heckklappe >7/2014		
high door cut-out, H3 roof	461738	326,-
Renault Master Hecktüren >2024	461739	322,-

REMIcare Van Insect screen door

- All around insect protection
- A rain deflector ensures a dry entrance area for the Fiat Ducato
- Ventilated camping trips, without mosquito or gnat visitation
- Light and air are provided
- Perfect closure

To complete the all-round comfort package, door must also be protected from insects in addition to insect protection on windows. So you can enjoy pleasant, ventilated camping trips, without mosquito or gnat visitation. Even at night, you can simply open vehicle door & close insect screen door directly and nothing will stand in the way of a restful night - w/ fresh air & without annoying mosquitoes.

For Fiat Ducato (models X250/X290)

Size: 1435 mm x 1080 mm

Low door cutout, short wheelbase	35066	482,-
Without table rail for left-hand drive	35061	585,-
With table rail for left-hand drive	35073	571,-

Size: 1710 mm x 1250 mm

High door cutout long wheelbase	35068	454,-
Without table rail for left-hand drive	35074	467,-

With table rail for left-hand drive	35075	518,-
With table rail for right-hand drive	35076	571,-

For Ford Transit Custom / Ford Nugget

Ford Transit Custom (Model V362) for left hand drive	35069	457,-
--	--------------	--------------

For Volkswagen Transporter 6/5

Volkswagen Transporter and Transporter Kombi in Startliner version for left hand drive	35062	585,-
--	--------------	--------------

Multivan and Caravelle for left hand drive	35063	588,-
--	--------------	--------------

For Mercedes-Benz Sprinter

(Identical in constr.: Volkswagen Crafter 2006-2016)

>2006: Size: 1650 x 1360 mm for left hand drive	35070	483,-
--	--------------	--------------

>2006: Size: 1960 x 1360 mm for left hand drive	35071	528,-
--	--------------	--------------



REMIcare Van Fiat Ducato



REMIcare Van Ford Transit Custom



REMIcare Van Volkswagen Transporter 6/5



REMIcare Van Mercedes-Benz Sprinter

Rain deflector for Fiat Ducato

Suitable for all sizes for left hand drive	46307	172,-
--	--------------	--------------





Mosquito nets for Fiat Ducato, Peugeot Boxer, Citroën Jumper

- Fastening with Velcro tape on side and top, additional support w/ snaps
- Tight mosquito net against even the smallest insects
- UV stable and flexible polyester fabric
- Flame retardant
- Durable and high quality
- Good visibility and air circulation
- Zippers to operate from inside and outside
- Lead tape for weighting at the bottom
- Soft fall and dark color
- High quality, no snagging with velcro tape

Mosquito net for the sliding door or rear wing door w/ convenient zipper entrance.

Scope of delivery: Black mosquito net and mounting hardware (snaps, velcro)

For years of construction from 2007

Suitable for roof height H2 & H3 (stand. high roof),
Vehicle length 541 cm, 599 cm and 636 cm and
Sliding door dims.: H 1755 x W 1250 mm

Adapted for vehicles w/ kitchen parts protruding into sliding door cut-out. With practical J-shape zipper.

① Front entry **464522** **207,-**

Suitable for large-capacity box or Adria Twin 640 SHX e.g.

② Rear entry **464520** **201,-**

Mosquito net for rear door, standard high roof from YOC. 2007

Door height: 1760 mm

(without illustration) Center entry **46452** **201,-**

Suitable for roof height H 1 (flat roof)

Vehicle length: 496 cm & sliding door dims.:
H 1480 mm x W 1075 mm

③ Front access **46240** **217,-**

For rear wing doors: H 1790 mm

suitable for roof height H2 (high roof)
(not shown) Center entry

464521 **201,-**

④ **For rear door: H1 (flat roof)**

w/ 2-way zipper, allows only upper part of net to be opened.

461730 **217,-**

For years of construction 1994 - 2006

Suitable for roof height H2 and H3 (high roof)

Mosquito net for sliding door opening.

With center zipper

⑤ Central access **46435** **188,-**

MB Sprinter 1996-2006 Roof height H1

(not suitable for standard high roof)

Sliding door opening (with Velcro tape) **46143** **185,-**

MB Sprinter/Crafter >2007 Roof height H1 from L2 (from vehicle length 5261 mm)

(not suitable for stand. high roof)

Sliding door opening (w/ Velcro strip) **46450** **207,-**

Rear door (with Velcro) **464501** **207,-**

MB Sprinter w/ standard high roof (H3), >2006 & VW Crafter with standard high roof (H3) 2006 - 2016

Sliding door right (with magnet) **464524** **234,-**

Rear doors (with elastic band) **461736** **326,-**

VW Crafter YOC. > 2017 with high roof H3 and H4

Rear door (w/ elastic band) **464502** **240,-**

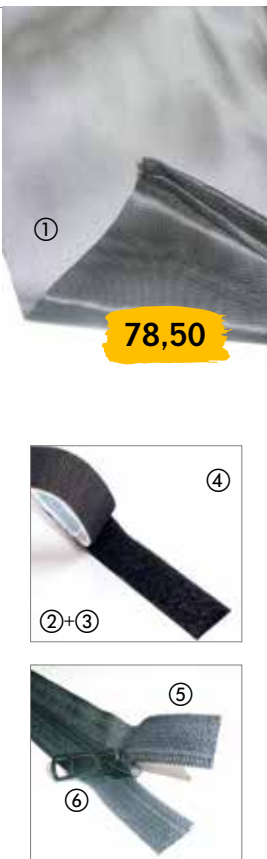
Sliding door on the right (with magnet) **464523** **234,-**

For Mercedes-Benz Sprinter / Volkswagen Crafter

Fine-mesh insect screen net w/ 2-way zipper. Reliable fastening w/ elastic, magnet or Velcro tape on body panel, sealing at the bottom w/ lead tape. Rear doors can be closed with net. For the ride we recommend to remove the net.

Make mosquito nets yourself

- ① **Mosquito net**, close meshed, soft falling.
TOP quality for doors and windows, flame retardant. Width 145 cm
5 m Black. GP* 9,92/1qm **56019 78,50**
10 m Black.GP* 8,27/1 qm **560241 131,-**
- ② **Velcro tape (fleece & adhesive tape)**
heat-resistant, up to 120°C, self-adhesive back. 20 mm wide, 5 m roll
Black GP* 4,39/1 m **56319 24,-**
- ③ **Velcro tape (fleece & adhesive tape)**
self-adhesive, 20 mm wide, 5 m roll.
Black GP* 3,39/1 m **56317 18,50**
White GP* 3,39/1 m **56305 18,50**
- ④ **Adhesive tape 5 m**
Black GP* 2,39/1 m **56324 13,10**
Lead tape (not shown), for weighting mosquito nets, hangs securely in doorway. 5 meters GP* 1,39/1 m **560250 7,60**
10 Meter GP* 1,10/1 m **560251 12,-**
- ⑤ **Zipper** especially for mosquito nets. 32mm wide.
5 meters GP* 1,99/1 m **550560 10,90**
- ⑥ **Zipper (double slider)** for zipper 55056
55057 2,15



78,50



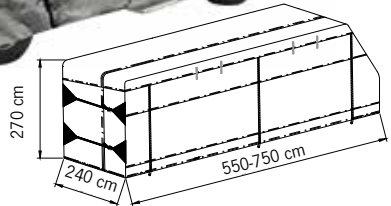
Insect screen curtains for rear of the vehicle

The insect screen curtains for the rear of the vehicle have two zippers. They are mounted using self-adhesive magnetic strips (incl. in scope of delivery).

Volkswagen Transporter 5/6 tailgate	461733	316,-
Ford Transit Heckklappe >7/2014 hoher Türausschnitt, H3-Dach	461738	326,-
Renault Master Hecktüren >2024	461739	322,-



from **264,-**



Motorhome protective covers

- Reliable, water repellent weather protection
- Roof made of Tyvek-like breathable material in white for optimum UV protection
- Good ventilation, reduction of mold risk
- Made of tear-resistant 3-ply SFS fabric: roof 125 g/m², Sides 100 g/m²

Breathable & weatherproof protective cover maintains value of your motorhome. The side wall is easily opened by zipper & allows access to the motorhome.

L 500 - 550 x W 240 x H 270 cm	928091	264,-
L 550 - 600 x W 240 x H 270 cm	928092	278,-
L 600 - 650 x W 240 x H 270 cm	928093	289,-
L 650 - 700 x W 240 x H 270 cm	928094	305,-
L 700 - 750 x W 240 x H 270 cm	928095	321,-
L 750- 800 x W 240 x H 270 cm	928096	308,-



Vehicle cover "Wintertime" for partially integrated & alcove motorhomes

- Breathable, 3-layer SFS-3 NONWOVEN material
- Good tear strength and light weight
- Access to entrance door or storage boxes on both sides of vehicle
- 4 zippers for easier putting on and taking off the cover
- An eyelet strip on both sides as well as tensioning straps on front & rear sides
- All around via triangular tabs for bracing

Scope of delivery: Vehicle cover, clamping material, generously sized storage bag & repair kit.

Length bottom (cm)	Length top (cm)	Width (cm)	Item no:	Price
610	537	235	928171	540,-
650	577	235	928170	562,-
710	637	235	92817	584,-
750	677	235	92807	616,-
810	737	235	928172	638,-
860	787	235	928173	660,-

BP* = Base price per specified unit

RAIN CHANNELS / DRAINAGE PROFILE



Rain gutter for Fiat Ducato sliding door

REMIcare Van

Automatically retractable rain gutter for Fiat Ducato & vehicles of same construction. Newly developed REMIcare Van rain gutter is firmly installed on upper edge of door cutout and directs water drops away from vehicle. Protects your interior from annoying dripping water.

46307 172,-



Rain gutter w/ integrated lighting

For Fiat Ducato & similar, Renault Master, Opel Mavano, Nissan NV300. 12 V, 7 W, 450 lumen, light color warm white 4000 K, beam angle 130°. Material: Aluminum, Black. Lamp provides a pleasant light in front of the vehicle and at the same time drains rainwater. Mounting takes place under the upper column of the sliding door.

Fiat Ducato	834511	128,-
Mercedes-Benz Sprinter from 2018	834512	128,-



Universal rain gutter

- Self-adhesive
- No more rain showers when opening the door: water is drained away
- Can also be mounted in conjunction w/ Multirail

Special EPDM rubber profile for outdoor use in motor vehicles (automotive supplier quality), w/ self-adhesive 6 mm 3M tape on the back. Permanently elastic and dimensionally stable. Length (150 cm) is sufficient for most vehicles.

46299 42,-



Self adhesive rain gutters

Do not let rainwater drip inside.
Easy to assemble.
Available in different lengths.
Color: White

75 cm for doors,	GP* 23,07 / 100 ml	91272	18,90
300 cm for walls,	GP* 11,65 / 1 m	91273	38,10
1000 cm, for walls	GP* 12,10 / 1 m	912731	132,-

Drip Stop - Self-adhesive rain gutters



Protects against weather

Prevents formation of black dirt streaks on vehicle. Rail made of flexible polyvinyl of highest quality. Aluminum strips, great adhesion to vehicle wall - long service life.

Self-adhesive UV-resistant. Color: Black.

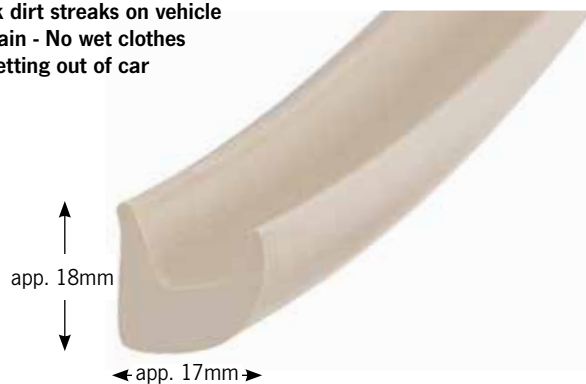
Length 75 cm for doors, black	GP* 23,07 / 1 ml	44434	18,90
Length 200 cm for walls, black	GP* 17,00 / 1 m	44435	37,10
Length 500 cm for walls, black	GP* 14,00 / 1 m	44436	76,30



Self adhesive rain gutters



- Rain guard prevents formation of black dirt streaks on vehicle
- Rain drain - No wet clothes when getting out of car



Thule Gutter rain gutter

Multifunctional self-adhesive rain gutter.

Length 350 cm	GP* 17,71 / 1 m	432806	67,60
Length 450 cm	GP* 16,00 / 1 m	43031	78,50
Length 10 m	GP* 11,90 / 1 m	432798	130,-

Aluminum profiles

① Clamping profile

Lateral termination of roof trim, facilitates installation. Stable end profile for cladding panels. Suitable for panel thicknesses of 3 - 4 mm. Length 2,54 m

Silver anodized 51210 19,60
GP* 7,07 / 1 m

② U-profile

for protection of 15 mm wooden edges. Length 2 m, 20 x 20 x 2 mm,

Silver anodized 58820 24,-
GP* 10,97 / 1 m

Aluminum angle profiles

e.g. as a finishing strip for floor panels, construction of bed supports or mounting of solar panels. Length 2 m

③ 20 x 20 x 2 mm

Alu nature 51201 15,80
GP* 7,25 / 1 m

④ 30 x 20 x 2 mm

Alu nature 51202 20,-
GP* 9,15 / 1 m 13,40

⑤ 30 x 30 x 2 mm

Alu nature 51203 24,10
GP* 11,05 / 1 m

70 x 30 x 2 mm (not shown)

Alu nature 51205 40,70
GP* 18,65 / 1 m

⑥ Floor end strip aluminum

Beveled on the flooring side for easier sweeping of your mobile. Tread area ribbed for high slip resistance. Corner rounded. 3 m rod, 25 x 14 x 1.5 mm, Black anodized

51220 29,40
GP* 8,98 / 1 m



Body - aluminum profiles silver anodized

Aluminum strips for bodywork construction for motorhomes & caravans, partly w/ keder rails for 7.5 mm pull-in keder, for pulling in tents, awnings or windbreaks. Please note the freight flat rates (🚚) from a length of 2.10 m

V25 28,30

① Cover strip

for connections, dims. 30 x 4 mm
2,4 m GP* 10,81 / 1 m

90190 28,30

② Edge trim

Leg dim. 27 x 11 mm

2 m GP* 9,97 / 1 m **901962 21,80**

3 m GP* 9,65 / 1 m **901963 31,60**

③ Gasket 27 x 11 mm

10 m GP* 3,70 / 1 m **901988 40,30**

④ Feed rail, Height 43 mm

3 m GP* 13,98 / 1 m **901943 45,80**

⑤ Gasket for 901943

3 m GP* 4,98 / 1 m **901996 16,30**

End caps for 901943

left **901946 1,55**

right **901947 1,55**

⑥ Cover rubber

Filler profile/cover rubber for the screw channel on the keder rail. Width 12 mm.

Roll with 10 m

Silver GP* 0,70 / 1 m **90124 7,65**

Black GP* 0,70 / 1 m **90122 7,65**

Red GP* 0,70 / 1 m **901191 7,65**

Roll w/ 200 m

Silver GP* 0,33 / 1 m **901240 71,90**

Black GP* 0,33 / 1 m **90123 71,90**

Red GP* 0,33 / 1 m **90119 71,90**



You can find more aluminum profiles in tent acc. on pg. 100

BP* = Base price per specified unit

Parcel shipping only up to 170 cm possible, above 171 cm freight flat rate

Sealing profiles/Edge protection

Edge protection profiles

Are pushed onto the edge of the sheet. Clamps due to incorporated metal profile.

① small Clamping range 0.5-1.5 mm

5 m Black GP* 2,98/1 m **294559 16,30**

10 m Black GP* 2,99/1 m **294551 32,60**

50 m Black GP* 2,98/1 m **294552 163,-**

100 m Black GP* 2,69/1 m **294553 294,-**

5 m light gray GP* 2,98/1 m **294639 16,30**

10 m light gray GP* 2,99/1 m **294642 32,60**

50 m light gray GP* 2,98/1 m **294643 163,-**

② large Clamping range 1.5- 4.0 mm

10 m Black GP* 7,99/1 m **294560 87,10**

40 m Black GP* 7,97/1 m **294561 348,-**

100 m Black GP* 7,69/1 m **294562 839,-**

10 m light gray GP* 8,40/1 m **294640 91,60**

40 m light gray GP* 8,18/1 m **294641 357,-**

Sealing profiles lateral bead - Clamping range 1.0 - 4.0 mm.

for sleeping roofs, cabin doors or windows. Universally applicable.

③ 10 x 5 mm Bead diameter

5 m GP* 6,39/1 m **29388 34,90**

10 m GP* 6,20/1 m **29389 67,60**

50 m GP* 6,38/1 m **29393 348,-**

④ 15 mm Bead diameter

5 m GP* 12,59/1 m **29386 68,70**

10 m GP* 12,50/1 m **29387 137,-**

50 m GP* 12,38/1 m **29449 675,-**

⑤ Lip profile - Clamping range 1.0 - 4.0 mm,

e.g. for T4 Dreamline cladding on cab cutout for sleeper or high roof instal.

10 m GP* 12,07/1 m **294502 132,-**

50 m GP* 12,00/1 m **294503 654,-**

Easy-Fit T5 Profile

5 m GP* 17,98/1 m **294504 98,-**

10 m GP* 17,90/1 m **294505 196,-**

50 m GP* 17,90/1 m **294542 976,-**

⑥ Rubber sealing profile for curtain-type windows

For a wall thickness of app. 28 mm. Self-adhesive for quick & easier installation.

4 m GP* 14,99/1 m **322704 65,40**

40 m GP* 13,97/1 m **3227040 610,-**

Sealing profiles w/ sealing bead - clamping range 1.0 - 4.0 mm

Sealing profile e.g. for windows & various sleeping roofs.

⑦ 17 mm sealing bead

10 m bead top GP* 11,20/1 m **294506 123,-**

20 m bead top GP* 11,10/1 m **294507 242,-**

50 m bead top GP* 5,38/1 m **294517 294,-**

10 m Bead app. 30° GP* 9,90/1 m **294508 108,-**

20 m Bead app. 30° GP* 9,95/1 m **294509 217,-**

50 m Bead app. 30° GP* 9,78/1 m **294510 533,-**

⑧ 10 mm sealing bead

10 m GP* 9,99/1 m **294512 109,-**

20 m GP* 10,00/1 m **294513 218,-**

50 m GP* 6,98/1 m **294518 381,-**

⑨ Caravan door seal, ivory/black

PVC edge protector w/ long cover lip,

5 m GP* 16,98/1 m **294514 92,60**

10 m GP* 16,99/1 m **294515 186,-**

50 m GP* 12,98/1 m **294516 708,-**

⑩ Rubber seal

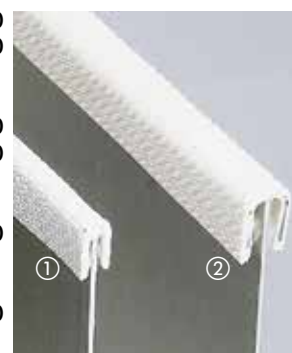
Sealing rubber between side wall &

Cabin door/flap light gray WS 30 mm

5 m GP* 11,18/1 m **35010 61,-**

10 m GP* 11,29/1 m **35011 124,-**

15 m GP* 11,27/1 m **35012 185,-**





Pretreatment for high adhesion



- ① **Sika Primer-207** for glass, ABS, steel, aluminum & other materials. Pigmented, solvent-based primer for many substrates for pre-treatment of bonding surfaces in combination w/ Sikaflex® adhesives.

Can 30 ml	GP* 76,00 / 100 ml	294448	24,90
Can 100 ml		294449	39,20

 Hazard: H225, H317, H319, H336, EUH066, EUH206, EUH205
- ② **Sika Primer-210** for aluminum (raw), glass fiber reinforced plastics, ABS & others. For adhesive preparation of bonding surfaces.

Can 30 ml	GP* 56,50 / 100 m	294453	18,50
Can 250 ml	GP* 195,80 / 1 Liter	294451	53,40

 Hazard: H225, H317, H319, H336, H412, EUH066, EUH208
- ③ **Sika Activator-100** is a solvent-based, colorless adhesive cleaner for pre-treatment of bonding surfaces in combination w/ Sikaflex® Adhesives.

Can 250 ml	GP* 119,80 / 1 Liter	29477	32,70
------------	----------------------	--------------	--------------

 Hazard: H225, H315, H317, H318, H336, H304, H411
- ④ **Sika Activator-205** is a solvent-based, colorless adhesive cleaner that reacts w/ moisture & leaves behind adhesive compounds on surface. These act as a link between substrate & primer or adhesive. Specially developed for pretreatment of bonding surfaces in combination w/ Sikaflex® & Sikasil® adhesives/sealants.

Can 30 ml	GP* 43,17 / 100 m	294100	14,20
Can 250 ml only for specialized trade	GP* 107,80 / 1 Liter	29415	29,40

 Danger: H225, H319, H336

Auxiliary means



- ① **Sika Smoothing agent** for smoothing fresh Sikaflex joints.

1000 ml	29422	15,20
---------	--------------	--------------
- ② **Sika Remover-208** Sika Remover-208 is a colorless, clear, solvent-based cleaning agent for e.g. painted substrates

400 ml		
GP* 68,75/1 Liter	294161	30,-
1000 ml	294163	34,80

 Hazard: H412, H336, H222, H229, EUH066
- ③ **Sika MultiSeal BT** Self-adhesive multipurpose butyl-based sealing tape
 For sealing & quick repairs against moisture & draughts. Can also be used in visible areas.

10 x 300 cm	294708	20,20
-------------	---------------	--------------

 GP* 61,67 / 1 qm
- ④ **Sika Cleaner G+P** Aqueous cleaning agent for glass & plastics
 Removes fingerprints, residues & general soiling.

500 ml	294709	6,90
--------	---------------	-------------

 GP* 12,60 / 1 Liter
- ⑤ **Sika PowerClean** Moist cleaning wipes
 For interior & exterior joints. Designed for daily use in workshop or on construction site.

100 wipes	294710	20,40
-----------	---------------	--------------

PROFI TIP
Cleans quickly
Hands and tools

Bonding + sealing without primer

Adhesive sealant Sikaflex-522

- UV and aging resistant, mold resistant
- Suitable for mounting high roofs
- Indoor and outdoor application

- ① **Sikaflex-522 cartridge**
 Universal STP adhesive sealant with high Resistance to aging, mold and UV. Can be used on many substrates w/o primer.

White, 300 ml	GP* 47,33 / 1 Liter	294104	15,50
Black, 300 ml	GP* 48,33 / 1 Liter	294105	15,80
Gray, 300 ml	GP* 48,30 / 1 Liter	294106	15,80
- ② **Sikaflex-522 mini bag with grommet**

White, 100 ml	GP* 119,50 / 1 Liter	294107	13,10
---------------	----------------------	---------------	--------------

 Warning: H317, H412, EUH211, EUH 210



Sikaflex-554 assembly adhesive

- For mounting solar panels, satellite systems, awnings w/ adhesive adapters & Reimo Multirail
- Suitable for bonding aluminum sheets to steel or sandwich panels in frame profiles

UV- and aging-stable, primerless assembly adhesive. Assembly adhesive can be painted over.

- | | | | |
|--------------|---------------------|---------------|--------------|
| White 300 ml | GP* 66,63 / 1 Liter | 294111 | 21,80 |
| Black 300 ml | GP* 66,63 / 1 Liter | 294113 | 21,80 |
- Danger: EUH240, H211, H208



PROFI TIP
For bonding solar-modules and satellite systems

Bonding & Repair from plastics



SikaPower-2955 Plastic repair kit EasyBox

- Repair plastic, glue brackets, close holes, replicate clips, fix sensor brackets. Scope of delivery:
 3 x 50 ml SikaPower-2955 + 9 mixers
 1 x 50 ml SikaPower-2950 + 3 mixers
 1 x 100 ml Sika Cleaner G+P
 1 x 200 ml SikaPower-2900 Primer
 1 x Sika reinforcing film, contour film, plastic filler, instructions.

Black	294144	191,-
-------	---------------	--------------

Bonding insulation boards

SikaBoom-562 Foam Fix Plus

- Professional gun foam adhesive for bonding insulation boards
 1-component polyurethane foam adhesive w/ low expansion & good adhesion to many different substrates. Ideal for economical and durable bonding of insulation/gypsum boards.

750 ml	294714	32,60
--------	---------------	--------------

 GP* 39,87 / 1 Liter



Hazard: H222, H229, H315, H317, H319, H334, H351, H335, H373

Bonding/sealing glass and windows
Sikaflex-265

- Suitable for bonding safety glass / glass panes viewing windows

Windshield adhesive for bus and commercial vehicle windshields.

Black 300 ml

GP* 109,67 / 1 Liter **29479 35,90**

H317, H334a



35,90


SikaTack Pro

- Assembly set for glazing

SikaTack Pro is a cold processable windshield adhesive for passenger car replacement glazing w/ a safe drive away time of 30 min. System is suitable for mobile & stationary use all year round and has been tested according to FMVSS 212. W/ 1x Sika Primer-207, 2x Sika Cleaner PCA, 1 nozzle.

Black 300 ml

GP* 143,00/ 1 Liter **294841 46,80**

H334


SikaLastomer 710

- For sealing windows, roof hoods and flaps

Plastic butyl sealant for re-releasable seals on windows, roof hoods or flaps. Butyl sealant is used for mounting windows, roof hoods & all other built-in elements w/ frames or sealing surfaces. This does not harden excessively under UV radiation & thus remains elastic & dense for a long time.

White, 310 ml 38062 15,80

GP* 46,77 / 1 Liter

Black, 310 ml 38060 15,80

GP* 46,77 / 1 Liter

Gray, 310 ml 38061 15,80

GP* 46,77 / 1 Liter


More about bonding & sealing
Sikaflex 521 FC Transparent, UV-stable sealant

is a transparent, weather-resistant, one-component sealant. Product shows good adhesion to a variety of substrates such as metals, plastics & wood. Normally no or only a simple surface pre-treatment is required.

Cartridge 290 ml

GP* 63,79 / 1 Liter **294701 20,20**


Sikaflex-111 Stick & Seal

Adhesive and sealant, particularly suitable for insulating materials

Universal adhesive for use on many substrates, e.g. concrete, masonry, stone, ceramics, wood, metal, PVC. Bonding of insulation materials such as Styropor®, Styrodur® & other EPS & XPS polystyrene insulation.

290 ml 294712 21,70

GP* 68,62 / 1 Liter


Industry Sikasil-N plus

- Very elastic
- Suitable for indoor & outdoor

Sikasil® N Plus is a fungicidal, elastic 1-component sealant based on neutral silicone rubber. 300 ml.

Clear **29414 14,20**

GP* 43,17 / 1 Liter

White **294141 14,20**

GP* 43,17 / 1 Liter

Black **294142 14,20**

GP* 43,17 / 1 Liter

Grey **294143 14,20**

GP* 43,17 / 1 Liter


Sikaflex® Elastic, one-component adhesives & sealants

Product	Description DIN 53479	Hardness Shore A	Skin image time in minutes	Through-hardening- Speed	Vol. change DIN 52451	Elongation at break DIN 53504	Tear-away- resistance DIN 53515	Tensile strength DIN 53504	Zugscher- strength 1456 EN	Processing- temperature	Continuous temp. (abbrev. 8 h)
Sikaflex-522	Adhesive sealant	40	30	2 mm/24 h	- 2 %	400 %	7.5 N/mm	1.8 N/mm ²	-	5 to 40 °C	-50 °C to 90 °C - short - at same time 4 h up to 140 °C
Sikaflex-554	Assembly adhesive	55	app. 25	4 mm/24 h	- 2 %	< 500 %	app. 20 N/m	3.5 N/mm ²	2.5 N/mm ²	-50 to 90 °C	-
Sikaflex-265	Bus & commercial vehicle- Disc adhesive	45	app. 45	3 mm/24 h	< - 10 %	> 450 %	app. 10 N/m	6.5 N/mm ²	4.5 N/mm ²	10 to 30 °C	-40 - +90 °C (120 °C)
Sikaflex-111	Adhesive & sealant for many substrates	36	app. 35	3 mm/24 h	- 2 %	app. 250 %	app. 4.5 N/m	1.5 N/mm ²	-	-10 to 35 °C	-
SikaTack®	Elastic, one-component, cold-applied polyurethane adhesives & sealants										
SikaTack Pro	Premium disc - adhesive/universal- adhesive	60	10	4 mm/24 h	-	app. 300 %	app. 10 N/m	7 N/mm ²	4.5 N/mm ²	Ambient: +10 to 35 °C	-

All data w/o guarantee. Safety data sheets can be found at www.reimo.com or www.sika.de/caravan. We reserve the right to use adhesives from another manufacturer provided that they are technically equivalent. **Prescribed safety advice:** When purchasing these products, take the required application advice and, in addition, always observe the printed instructions for use and the technical data sheet supplied.

CLEAN

BONDING AND SEALING

BONDING AND SEALING



DEKACLEAN Ultra cleaner
Residue-free universal cleaner

Ideal for cleaning and degreasing surfaces before bonding and sealing, specially formulated for DEKALIN products. For removing uncured MS adhesive

1000 ml **50075 27,60**

Danger: H225, H319, H336



Danger



DEKAVATOR 22 NF
Bonding of solar corner profiles

An adhesion promoter that improves adhesion of the various DEKALIN adhesives, such as the DEKASYL MS series, on surfaces w/ low surface tension.

30ml **50111 19,60**

GP* 596,67 / 1 Liter

250ml **50112 54,40**

GP* 199,60 / 1 liter

Danger: H361d, H411, H226, H304, H315, H318, H336



Danger



DEKAFINISHER

Smoothing agent for perfect visible seams

Serves as an aid for smoothing the surface of MS polymer adhesives and sealants. Can also be used diluted in a mixing ratio of 2:1. (2 parts finisher, 1 part water). 500 ml.

500321 28,30

GP* 51,80 / 1 Liter

DEKARUST Remover

high performance rust remover

Premium rust remover perfect for loosening rusted nuts & bolts & for removing rust from all corroded surfaces. Free from silicone, mineral oil & paint wetting impairment substances (LABS). 250 ml.

96075 25,10

GP* 91,80 / 1 Liter

Hazard: H229, H224, EUH208



Danger



DEKASYL MS-1

Strongly adhesive sealant

Silicone-like, universal sealant & adhesive, perfect for joints in and around caravans as well as in kitchens & bathrooms.

White, 290 ml **50071 16,90**

GP* 53,45 / 1 Liter

Gray, 290 ml **50072 16,90**

GP* 53,45 / 1 Liter

Black, 290 ml **50073 16,90**

GP* 53,45 / 1 Liter

23,-



DEKASYL MS-2

Universal MS adhesive

Multifunctional adhesive & sealing compound. Good compromise between adhesive & sealant. Suitable for creating elastic connections between components where a high adhesive strength is also required.

Gray, 290 ml **50063 23,-**

GP* 72,72 / 1 Liter

Black, 290 ml **500631 23,90**

GP* 75,52 / 1 Liter

White, 290 ml **500303 23,90**

GP* 75,52 / 1 Liter



DEKASYL MS-5

Power adhesive

Adhesive w/ high adhesion & high initial strength for structural bonding of brackets, side skirts, frames & wheel trims, air conditioning boxes, solar or SAT systems. Due to the high strength, fixing times can be significantly reduced.

Black, 290 ml **500304 29,40**

GP* 92,76 / 1 Liter

White, 290 ml **500305 28,30**

GP* 89,31 / 1 Liter



DEKASYL MS-6 High adhesion sealant & adhesive

Versatile, elastic MS polymer-based adhesive & sealant that offers excellent adhesion to many materials w/o the need for special pre-treatment.

Black, 310 ml **500323 22,90**

White, 310 ml **500322 22,90**

GP* 67,58 / 1 Liter



DEKASYL MS-7

Transparent sealant

Versatile MS polymer-based adhesive & sealant, ideal for transparent, elastic joints. Perfect for interior areas such as kitchens or bathrooms, adheres w/o primer to materials such as Plexiglas, glass, enamel & painted wood.

290 ml **500310 24,80**

GP* 78,28 / 1 Liter



DEKASYL MS-8

Window adhesive

MS polymer windshield adhesive w/ strong initial adhesion, fast strength build-up & primerless application on glass, including printed windshields. Ideal for installation in motorhomes, cars, trucks & buses.

Black, 290 ml **500324 29,20**

GP* 92,07 / 1 Liter

Black, 600 ml **500325 45,70**

GP* 69,83 / 1 Liter



DEKASYL 240 2-component MS polymer

Elastic 2-component MS polymer, offers fast curing and is ideal for elastic joints. Regardless of humidity, it hardens due to second component.

Gray 250 ml **50078 76,20**

GP* 279,60/1 Liter



DEKASYL MS Power Adhesive

Power adhesive Adhesive w/ high adhesion & high initial strength for structural bonding of brackets, side skirts, frames & wheel covers, air conditioning boxes, solar or SAT systems.

White, 100 ml. **50067 15,80**

GP* 145,00/ 1 Liter



Dekalin adhesive set

All-round bonding set The DEKALIN adhesive set is everything you need for bonding solar module spoilers, semi-flexible solar modules or roof ducts

Scope of delivery: 1 x 290 ml adhesive color: white, 1 x decavator, 1x cleaning cloth set (1x cloth wet, 1x cloth dry)

500791 56,70

Hazard: H225, H315, H318, H319, H361d, H336 H304, H411, EUH210

GP* = base price per specified unit

GLUE AND REPAIR



DEKAPREN 3649/2

Contact adhesive For bonding profiled rubber, leather, artificial leather w/ fabric backing made of natural fibers & felt to metal, painted metal, wood, plastics such as rigid PVC, ABS and PA. With short open time, high initial strength & good ageing resistance. 660 g.

500308 39,20

GP* 54,39 / 1 kg

Hazard: H225, H315, H319, H336, H411, EUH208



Danger



DEKAPREN Plastikum 77
Special PVC adhesive

For soft and hard PVC. Ageing-resistant, plasticizer-resistant & non-discolouring. For repairs to awnings, tarpaulins or inflatable boats e.g.

200 ml. **500309 32,70**

GP* 149,75 / 1 kg

Hazard: H225, H316, H319, H336, EUH066



Danger



DEKABOT

SEAL



DEKASEAL 1512

Sealant overpaintable Plastic-elastic sealing compound based on butyl & free of aromatic solvents, w/ a higher initial strength. Paintable.

Black, 310 ml **50082 25,-**
White, 310 ml **50081 25,-**

GP* 73,87 / 1 Liter

Caution: H412, EUH066



Attention



DEKASEAL 8936

Dab-on sealant

Non-hardening, permanently adhesive butyl-based sealant. Ideal for roof hatches, flaps, sockets, side windows and many other applications. Adheres to paint, aluminum, ABS, PMMA & wood. Not overpaintable.

Anthracite
cartridge, 310 ml

50030 20,60

GP* 60,97 / 1 Liter

Tubular bag, 560 ml

500328 27,20

GP* 44,46 / 1 Liter

Light gray
cartridge, 310ml

500306 20,60

GP* 60,97 / 1 Liter

Schlauchbeutel, 560 ml

500326 27,20

GP* 44,46 / 1 Liter

Black cartridge, 310 ml

500314 20,60

GP* 60,97 / 1 Liter

Schlauchbeutel, 560 ml

500327 27,20

GP* 44,46 / 1 Liter

Danger: H315, H412



Danger

PROTECT



DEKAPHON 9735

Underbody protection in spray can
Provides a robust, corrosion-resistant underbody protection, ideal for wooden floors, GRP & metal in caravans & motorhomes. Effectively dampens noise & protects vehicle underbodies of all kinds. Remains semi-permeable. 500 ml.

Black **500302 26,80**

GP* 49,00 / 1 Liter

Hazard: H222, H229, H319, H336, H304, H411



Danger



DEKAPHON 958

Paintable underbody protection
Robust, corrosion-resistant underbody protection, ideal for wooden floors, GRP & metal in caravans & motorhomes. Effectively dampens noise & protects vehicle underbodies of all kinds. Remains semi-permeable. 500 ml.

Black **50074 37,10**

GP* 67,90 / 1 Liter



DEKAPHON Pro-Wax
Cavity & UBS wax

Underbody protection, transparent. Protects new & old parts & reduces corrosion. Can also be used as a cavity sealer at the same time. High creeping ability, low odor. Does not attack paints. Application without special pre-treatment. 500 ml.

Transparent **50106 20,70**

GP* 37,90 / 1 Liter



GP* = base price per specified unit



Solvent-free 1-component PUR adhesive especially for motorhome and caravan repairs

- Thixotrope (non-expiring)
- For work on vertical caravan walls
- Filling joints, does not foam up
- Moisture curing

For bonding aluminum sheets to rigid foam & wood. Ready to use in cartridge. Working time without/with water app. 30/5 min. Curing time: Initial strength after app. 3 hrs., final strength after several days. Consumption app. 250 - 350g/m² (strongly dependent on substrate). 310 ml cartridge

500291 32,40

GP* 95,81 / 1 Liter

Hazard: H334, H351, H373, H332, H315, H319, H317, H335

Delivery only to specialized trade!



Terostat sealant 2759

Sealant for caravans, motorhomes or bodywork. Suitable for professional use. Aluminum cartridge w/ spray nozzle. Permanently plastic, weather & ageing resistant one-component sealant based on butyl rubber. Low solvent content. Dab off excess material directly. Ideal for caravan / motorhome area.

Gray, 310 ml **50055 20,70**

GP* 61,13 / 1 Liter



Bonding & sealing without primer

Simson ISR 70-03

Elastic adhesive sealant on Silyl Modified Polymer (SMP), for elastic joints w/ high strength. Bonding & sealing w/o primer on clean, dry surfaces (e.g. aluminium, stainless steel, steel, galvanized, powder-coated steel, non-ferrous metals, paint, PVC, wood, etc.). UV & weather resistant).

Gray, 290 ml **294851 29,40**

GP* 92,93 / 1 Liter

Black, 290 ml **294852 29,40**

GP* 92,93 / 1 Liter



TEROSON MS 9221 Power adhesive

- Hard elastic bonding of steel sheet, aluminium, wood, GRP, glass, ceramics, etc.
- Solvent-free
- Overpaintable • Salt water resistant • Skin forming time: 5 min.

Black **500316 38,10**

White **500317 38,10**

310 ml GP* 112,58 / 1 Liter



Neutral, colorless Silicone

- For sealing inside
- Remains soft and flexible
- Adheres also to plastic

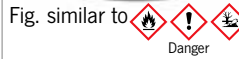
11,40

Processed material remains flexible. For sealing e.g. sealing joints in shower room. 310 ml.

clea **294191 11,40**

GP* 33,55 / 1 Liter

Contact adhesive



Terason B 2168 One-component adhesive

- For larger areas X-trem
- Only for specialized trade

Application possible w/ brush or notched trowel. Sale only to specialized trade or against proof of suitability.

4 kg **500370 126,-**

GP* 28,73 / 1 kg

Terason thinner

1 liter **500361 92,60**

Hazard: H225, H315, H319, H336, H410



Dispersion adhesive without solvent

Synthetic resin dispersion adhesive 8/A 1728 heat resistant up to 100°C

Environmentally friendly dispersion adhesive. For bonding velour fabrics or carpet (without foam backing) to GRP or body sheet. For nonwovens, textiles, leather, imitation leather & many more. Synthetic resin dispersion mixed w/ natural resins. No organic solvents. 10.5 kg

50048 370,-

GP* 32,29 / 1 kg

Warning: H301, H311, H314, H317, H331, H400, H410

Special adhesive for plastics



① **Oarsman L530 adhesive**

Crystal clear adhesive for bonding various plastics like PS, PSB, SAN, ABS, Plexiglas, rigid PVC to each other & to glass or ceramics.

20 g tube **52711 5,90**

GP* 27,00 / 1 kg

Hazard: H225, H319, H336

② **Tube adhesive for edge banding**

For bonding in the groove, shrinkage is avoided.

85 g tube **52713 10,70**

GP* 11,53 / 1 kg

Hazard: H225, H319, H336



16,30

Work equipment

Cartridge gun

for all 310 ml cartridges.

29418 16,30

① **Grommet for Sika bag**

29482 4,75

② **Standard cartridge nozzle**

Sika standard nozzle enables processing of Sika adhesive & sealant cartridges. 12 pieces per package

E5096 3,85

Wool felt swab

This wool felt applicator allows convenient, clean & precise application of Sika primers. 24 pieces per package

294731 38,10

Spray adhesive



Super spray adhesive heat resistant up to 80°C
Heat resistant up to 80°C w/ high instant tack. Adheres to wood, metal and plastics.
500 ml **50013** **18,50**
GP* 33,90/ 1 Liter
Hazard: H222, H229, H315, H336, H411



Danger



Power Spray Adhesive Plus
• For X-trem isolator & fabrics
• Heat resistant up to 110°C
Adheres to wood, metal and plastics.
400 ml **500130** **18,50**
GP* 42,37/ 1 Liter
Hazard: H222, H229, H315, H336, H411



Danger

14,80



Multi Glue spray adhesive
Reliably bonds styrofoam, foam rubber, felt, paper, cardboard, wood, metal & many plastics together & to each other. Working time: 5 to 15 min. The adhesive reaches its final strength after app. 24 hours.
500 ml **50011** **14,80**
GP* 27,00/ 1 Liter
Hazard: H222, H229, H315, H336, H411



Danger

Caravan & motorhome repair adhesive



from 9,70

Butyl sealant tape

Permanently elastic sealing tape for processing profiles. Excellent adhesion, self-adhesive, non-shrinking, weather-resistant, high-yield, easy to apply. Color: Black.

20x3,0 mm, 9,1 m **50038** **14,40**
GP* 1,45/ 1 m

Butyl sealing compound tape

20x2.0 mm, 3.0 m **500381** **9,70**
GP* 2,97/ 1 m

35x2,0 mm, 10 m **500382** **19,70**
GP* 1,80/ 1 m



Sponge rubber band 20 x 3 mm

Back side self-adhesive

2 m **294599** **7,10**
GP* 3,25/ 1 m

5 m **294600** **15,80**
GP* 2,90/ 1 m

10 m **294601** **24,60**
GP* 2,25/ 1 m



Teroson RB 81 Sealing tape

Flexible, strongly adhesive sealing tape for overlap sealing using the contact bonding method. Secure, permanent bonding. Self-welding. Adhesive on both sides. Resistant to aging. It is a high quality, strongly adhesive butyl rubber based sealing tape w/ plastoelastic properties. Excellent adhesion to cleaned surfaces of metallic and non-metallic materials.

35x2,5 mm, 24 m **500612** **104,-**
GP* 3,96/ 1 m

30x2 mm, 30 m **500613** **108,-**
GP* 3,30/ 1 m

60x2 mm, 20 m **500614** **106,-**
GP* 4,85/ 1 m



Teroson VII sealing tape white

For all overlaps & screwed joints on car body, sticky, extra soft. Without corrosive components.

20x2 mm, 3 m **50107** **15,20**
GP* 4,65/ 1 m

20x2 mm, 40 m roll **50058** **163,-**
GP* 3,73/ 1 m

30x2 mm, 64 m roll **50059** **283,-**
GP* 4,05/ 1 m



DEKA profiled butyl tape

Non-aging, solvent-free, permanently plastic & suitable for mechanically fixed sealing of overlaps & spacing between metal, wood, stone & plastic. Resistant to water, road salt, weathering, dilute acids & bases.

20 x 2 mm, 3 m **500300** **17,40**
GP* 5,32/ 1 m



Differences between the various sealants and adhesives

PU adhesives

Polyurethane-based sealants & adhesives cure in moist air, releasing carbon dioxide. They are used for sealants in the automotive industry, in motorhome & caravan repair & in metal construction. In addition to sealing effect, they can also be used as permanently elastic adhesives, e.g. to bond solar panels to caravan roofs. Unfortunately, yellowing is possible w/ light-colored PU adhesives due to sunlight. Pretreatment of sealing surfaces w/ primer may be necessary under certain circumstances.

SMP or MS polymer adhesives

These adhesives based on silane-modified polymers are offered in cartridge form. They are often used in construction of vehicles & caravans. The elastic adhesive cures w/ the humidity of air w/ elimination of alcohol. In general, these adhesives adhere w/o primer to clean, grease-free & dry substrates. They are UV resistant & do not tend to yellow.

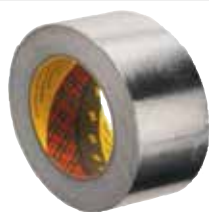
Butyl sealants

Based on butyl rubber & are more or less permanently elastic or permanently tacky. Butyl sealants are available in cartridges or as tapes & cords. Products are used in metal construction, ventilation construction or heating construction. In motorhome and car-

van sector, they are used in installation of roof hoods & windows, for sealing edge trims & in all applications where a sealing surface brings with it the possibility of sealing. Since butyl sealants are permanently elastic & do not adhere, the two sealing surfaces must be mechanically pressed together mechanically. Different materials of sealing surfaces hardly play a role, since, on the one hand, no firm bond is formed and, on the other hand, different thermal & cold expansions hardly play a role due to permanent elasticity. Pretreatment of sealing surfaces is usually not necessary.

ADHESIVE BANDS

Adhesive tapes for sealing



Soft aluminum adhesive tape
For sealing & insulation. Temperature resistant from -25 to +70°C. 100 mm wide.
50 m **99017** **65,30**
GP* 1,20 / 1 m

High performance Sealing tape
Single-sided Acrylic Foam-Adhesive sealing tape for interior and Exterior for e.g. gutters or roof hoods. 38 mm wide.
1,5 m **99011** **21,-**
GP* 12,80 / 1 m

General purpose adhesive tapes



Packaging tape
50 mm wide.
66 m **99019** **6,-**
GP* 0,08 / 1 m

Fabric adhesive tapes



High adhesive strength
For repair on their vehicle.
50 mm wide. Silver
50 m **990163** **17,40**
GP* 0,32/1 m



- **Waterproof**
- **Temp. resistant from - 20°C to + 90°C**
- **For indoor and outdoor**

Very strong, easy to tear off.
10 m long, 50 mm wide.
silver **500383** **6,65** GP* 0,61/ 1 m
black **500384** **6,65** GP* 0,61/ 1 m



Double sided adhesive tapes



- **High adhesive strength**
- **Minor repairs done quickly** w/ high adhesive strength from both sides. 50 mm wide.

10 m **99002** **129,-**
GP* 11,75/ m



Double sided adhesive tape

- **Safe and fast bonding.**
- **High temperature resistant**
- **Permanent sealing against water, moisture, etc.**

Adhesive on both sides. Can replace conventional mechanical jointing methods (riveting, welding, screwing) or liquid adhesives. 19 mm wide.
11 m **99027** **28,40**
GP* 2,36/ 1 m

Up to **3,3 kg/ m** resilient



Mounting Tape
Strong removable adhesive-tape for inside & outside from pure acrylic adhesive. Thickness: 0.8 mm. Quick, safe and invisible
Fastening. Replaces screws, Rivets and nails. For indoor & outdoor use. Good UV resistance. Temp. resistant: -40 °C to +80 °C. Waterproof. 19 mm wide.
5 m **99008** **33,50**
GP* 6,14/1 m

Velcro tapes



6,55

Universal hook & loop binder
12 mm wide, black / gray. Length can be individually cut to size. For bundling cables, fastening plants, etc. High resistance to weathering. For indoor and outdoor
3 m **99009** **6,55**
GP* 2,00/1 m



High-tech pressure cap
In industry, the 3M™ Dual Lock™ pressure lock system has been successfully used by professionals for years. The one-component pressure seal can be opened & closed up to 1000 times. 25 mm wide. Self-adhesive. For indoor & outdoor applications. For invisible fastenings
1,25 m **99007** **36,20**
GP* 26,56/1 m



7,-

Velcro power strip
Self-adhesive backing, 10 times stronger than conventional Velcro. Waterproof. For indoor & outdoor use for fixing kitchen utensils. 4 strips each 10 cm x 1.9 cm.
99015 **7,-**
GP* 16,00 / 1 m

Vehicle protection



TEROSON WX 980
Black wax Underbody protection spray

- For aftertreatment of standard underbody protection
- To supplement protective coverings based on PVC or rubber resin
- Ideal spray pattern, low mist during application
- Bitumen-free coating material
- Quick drying

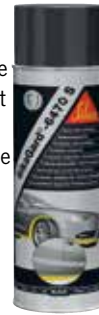
500 ml spray
Color black 500318 24,-
GP* 43,90 /1 Liter
Hazard: H222, H229, H317, H336, H412



Stone chip protection from the spray can

Sikagard®-6470S is a durable protective coating from spray can w/ excellent rust protection & anti-drumming properties. Effective stone chip protection for vehicle body. Very good recoatability. 500 ml

Color black 294140 25,70
GP* 47,00/1 Liter
Hazard: H225, H315, H336, H411



Screw lock



- LOCTITE 243**
- Suitable for all metals
 - Connections can be disassembled w/ hand tools
 - Universally applicable
 - Connections can be disassembled for maintenance w/ hand tools

10 ml
500319 28,30
GP* 259,50/1 liter
Danger: H317, H411



Car body repair

TEROSON WX 990
Transparent wax Corrosion spray

Sprayable corrosion protection agent on Wax base. Particularly suitable for protection of folds & surfaces on motor vehicles, construction machinery & garden equipment. Due to the high temperature no run-off or dripping in the engine compartment.

- Transparent
- Adhesive free drying
- Firmly adherent
- Water repellent
- Temperature resistance up to 100°C
- Protection of folds and surfaces

500 ml spray GP* 37,90/1 Liter 500313 20,70
1 liter 500315 29,-
Hazard: H222, H229, H317, H336, H412



- LOCTITE 270**
- Ideal for permanently securing stud bolts on engine blocks & pump housings
 - For systems that do not have to be regularly dismantled for maintenance

10 ml
500320 27,20
GP* 249,50/1 liter
Danger: H317, H411



Sealing

Solutions All tight Spray plastic

- Sprayable plastic with strong adhesive force
- Adheres to almost all surfaces: Masonry, metal, plastic, wood, enamel, etc.
- Highly elastic, even with strong Temperature fluctuations
- Waterproof, weather & UV-resistant
- Suitable for indoor & outdoor use
- Can be painted

SOLUTIONS Alles Dicht is a sprayable plastic w/ strong adhesive power for sealing leaks in all areas. The spray was developed for both indoor & outdoor use. It reliably and quickly seals existing leaks or cracks. The sprayable plastic adheres to almost all surfaces & can therefore be used universally. Only use outdoors or in well-ventilated rooms. 400 ml spray.

Color white 50108 18,50
Color grey 50109 18,50

GP* 42,37/1 Liter
Hazard: H225, H315, H336, H411



Professional cleaning products for motorhomes, caravans & boats

Clean



Citrus Shampoo & Wax

Strong, concentrated cleaner & protection in one product. Easily removes stubborn dirt, stains, streaks, soot, oil, salt, tar & grease. At the same time creates protective wax layer that prevents

new dirt build-up & gives the surface a shine.



Danger

Content 500 ml

For FI, SE, NO **616202** 13,70
GP* 25,00/1 Liter

Hazard: H315, H317, H318, H412



Ultimate Xtreme Clean

Ultimate cleaning agent for any purpose & any surface. Removes even stubborn dirt and smudges, even on hard-to-clean porous surfaces.

Phosphate-free, harmless on or near the water. For cleaning fiberglass, vinyl, plastic, metal and even inflatable boats.



Danger

Content 650 ml

For DE, GB, DK **616190** 13,10
 For ES, IT, FR **616191** 13,10
 For FI, SE, NO **616192** 13,10
GP* 18,38/1 Liter

Danger: H290, H318



Danger

Black streaks remover

Eliminates black streaks. Quick and easy cleaning. Streaks & contamination from rainwater are removed.

Capacity 650 ml

For ES, IT, FR **616031** 13,-
 For FI, SE, NO **616032** 13,-
GP* 18,31/1 Liter

Danger: H318



Awning and awning cleaner

Special cleaner for awnings and awnings. Removes dirt and stains. Refreshes faded colors.

Content 650 ml

For DE, GB, DK **61604** 13,-
 For ES, IT, FR **616041** 13,-
 For FI, SE, NO **616042** 13,-
GP* 18,31/1 Liter

Danger: H318

Polish & Protect



Premium cleaner and wax with PTEF

Cleaning and care for motorhome and caravan. Gives shine and enhances the vehicle. Coats the surface with a protective layer. Ideal after long standing time. Suitable for GRP, aluminum & metal surfaces.



Attention

Content 500 ml

For DE, GB, DK **61606** 18,50
 For ES, IT, FR **616061** 18,50
 For FI, SE, NO **616062** 18,50
GP* 33,90/1 Liter

Content 1000 ml

For DE, GB, DK **616064** 28,30
 For ES, IT, FR **616065** 28,30
 For FI, SE, NO **616066** 28,30
GP* 25,95/1 Liter

Warning: H315, H412, EUH208



Premium surfaces Sealing with PTEF

Protects the valuable paint. Coats it w/ a protective layer & makes it resistant. Suitable for GRP, aluminum & metal surfaces.



Danger

Content 500 ml

For DE, GB, DK **61607** 25,10
 For ES, IT, FR **616071** 25,10
 For FI, SE, NO **616072** 25,10
GP* 45,90/1 Liter

Content 1000 ml

For DE, GB, DK **616074** 41,40
 For ES, IT, FR **616075** 41,40
 For FI, SE, NO **616076** 41,40
GP* 37,95/1 Liter

Danger: H317, H373, H412



Premium spray wax with PTEF

Wax spray protects valuable paint of caravan & motorhome. For GRP, aluminum and metal surfaces. Ideal for walls with hammered effect. PTEF coats the surface w/ a protective layer.

Content 650 ml

For DE, GB, DK **61608** 16,30
 For ES, IT, FR **616081** 16,30
 For FI, SE, NO **616082** 16,30
GP* 22,92/1 Liter



Waterproofing spray with PTEF

Impregnates tents and awnings. Makes the fabric water repellent. Protects material from wind and weather. PTEF coats the surface w/ a protective layer.



Danger

Content 650 ml

For DE, GB, DK **61605** 24,-
 For FI, SE, NO **616052** 24,-
GP* 33,77/1 Liter

Danger: H304, H373, EUH066

Starbrite® is the marine industry's leading manufacturer of waxes, polishes, cleaners & more. Especially on boats are used only the latest technologies & ingredients of highest quality. This also benefits vehicle care. For this reason, all Starbrite® products are as good as possible, rather than "just good enough".

Window cleaning & protection



Step 1: Acrylglas cleaning and refreshing

For cleaning and refreshing of plastic windows. Removes light scratches, prevents static charge & dust attraction, Reduces blind spots.

Contents 250 ml

For ES, IT, FR **616001** 10,90
 For FI, SE, NO **616002** 10,90
GP* 39,96/1 Liter

Warning: H315, H412



Attention



Step 2: Acrylic glass sealing

With UV blocker to protect against yellowing and dulling of plastic windows. Gloss and clarity are preserved.



Attention

Contents 250 ml

For ES, IT, FR **616011** 10,90
 For FI, SE, NO **616012** 10,90
GP* 39,96/1 Liter

Warning: H319, H412



Rain deflector for windshields & windows

Makes water simply roll off and improves visibility through the windshield.

Content 250 ml

For DE, GB, DK **61602** 11,90
 For ES, IT, FR **616021** 11,90
 For FI, SE, NO **616022** 11,90
GP* 43,60/1 Liter

Danger: H225, H319, H336



Danger



Sanitary liquid

Breaks down waste materials in dirty water tank & in transportable cassettes & avoids unpleasant odors in the toilet room. Gives up to 665 liters.

Content 650 ml

For DE, GB, DK	616100	20,70
For ES, IT, FR	616101	20,70
For FI, SE, NO	616102	20,70

GP* 18,95/1 Liter

Danger: H314, H400



WC cleaner

Frees toilet bowls from stains & lime deposits without scrubbing. Suitable for all plastic & porcelain toilet bowls. Does not contain strong chemicals.

Content 650 ml

For DE, GB, DK	616110	11,50
For ES, IT, FR	616111	11,50
For FI, SE, NO	616112	11,50

GP*22,18/1 Liter

Danger: H318



Bird and spider droppings remover

Removes dirt w/o damaging paintwork. Safe for GRP, aluminum, metal, plastic & textile.

Content 650 ml

For DE, GB, DK	616170	18,50
For ES, IT, FR	616171	18,50
For FI, SE, NO	616172	18,50

GP* 26,08/1 Liter

Danger: H318



Carpet cleaner with PTEF

Dissolves dirt, oil and grease stains.

Content 950 ml

For DE, GB, DK	616180	15,20
For ES, IT, FR	616181	15,20
For FI, SE, NO	616182	15,20

GP* 14,68/1 Liter

Danger: H318



StarTron diesel additive

Saves fuel & stabilizes diesel for up to 2 yrs. Engines start easier and run smoother. Reduces exhaust gases, particulate matter & soot emissions. Reduces fuel system maintenance intervals, eliminates & prevents carbon deposits.

Content 650 ml

For DE, GB, DK	616140	19,60
For ES, IT, FR	616141	19,60
For FI, SE, NO	616142	19,60

GP* 71,80/1 Liter

Danger: H304, H412

30 ml is enough for up to 120 l



Flexible scrubber with soft pad

Large, soft scrub pad, fits Starbrite® handles w/ snap-in system. Smooth to move. Adapts to the contours of the surface.

61634 30,50



Microfiber Mop

Super absorbent microfiber strips. Suitable for Starbrite® telescopic rod. Mop can be easily removed for wringing.

61629 29,40



Clean, care, protect



Interior cleaning

Caravan interior cleaner

Versatile spray cleaner with odor eliminator. Binds cigarette smoke, animal & other irritating odors. Gently cleanses and brings fresh scent. For plastics, leather, wood, aluminum, stainless steel & painted or laminated surfaces.

750 ml. **61522 13,10**

GP* 15,99/1 Liter



Exterior cleaning

Caravan shampoo

Cleaning concentrate with wax components. Gently dissolves dirt and seals. With high quality carnauba wax. Suitable for all surfaces on caravan/bus/camper/caravan, also for acrylic glass windows.

1000 ml. **61520 12,-**



Danger: H319, H317



Acrylic + Glass cleaning

Caravan Acrylic + Glass Cleaner

Window cleaner for inside and outside. Cleans gently & brings streak-free cleanliness. For glass or acrylic windows & touch screen displays. Does not cause stress cracks or blind spots on acrylic+plexiglass. Compatible with all plastics

1000 ml. **61524 10,90**



Rain streak remover

Caravan rain streak remover

Intensive cleaner containing abrasives for the removal of rain streaks on paint and GRP. Chemical-mechanical active principle, also acts against grease, oil, diesel, road & environmental dirt. Suitable for hammered walls & gelcoat.

500 ml. **61521 17,50**

GP* 31,98/1 Liter



Seal

Caravan Quick Sealer

Spray sealant w/ high material compatibility for all exterior surfaces on caravan/bus/motorhome. Intensifies the colors and shine. Protects against resoiling and rain streaks. Playfully simple application even on large surfaces.

750 ml. **61523 18,60**

GP* 22,65/1 Liter



Danger: H317



Polishing

Caravan polish

Highly effective polish for smoothing weathered surfaces & refreshing dull colors. For coatings & GRP. With waxy base preservative. Can also be used w/ a polishing machine.

500 ml. **61519 16,40**

GP* 29,98/1 Liter

VEHICLE EXTERIOR CLEANING / RAIN STRIPE REMOVER / PAINT CARE

Exterior cleaning



Berlin Caravan Elixir
Concentrate for thorough exterior & interior cleaning of motorhomes or caravans. add 25 to 50 ml to 1 liter of water (depending on contamination). In case of heavy soiling, also apply undiluted. Rinse with plenty of water.

500 ml **61428** **10,30**

GP* 18,80/ 1 Liter

Danger: H315, H318



Yachticon

Caravan Motorhome elixir
In case of extreme contamination. High-yield concentrate, for all surfaces.

1000 ml **61403** **21,30**

Danger: H319



Yachticon

Caravan Super Cleaner
for plastics, synthetic leather, rubber, paint, metal, for stubborn dirt. Beading effect.

500 ml **61400** **16,90**

GP* 31,00 / 1 Liter

Danger: H315



Yachticon

Motorhome & Caravan Cleaner

Removes even stubborn contaminants, such as tar & soot. For all paints and metals. No acrylic.

500 ml **61460** **15,80**

GP* 29,00 / 1 Liter

Danger: H318



Yachticon

Polishing stone boat & caravan

Cleans, polishes & seals all surfaces in one operation. Incl. Sponge

500 g **61459** **21,30**

GP* 39,00 / 1 kg



Multiman Rim clean

Gentle cleaner for all light metal rims. Removes heavy contamination from brake dust & road dirt. W/ corrosion protection.

500 ml **61369** **18,50**

GP* 33,90 / 1 Liter

1000 ml **61370** **28,40**

Danger: H315



Rain streak remover



MULTIMAN

Intensive cleaning concentrate

For heavier soiling. Cleans deep into the pores.

500 ml GP* 31,00/ 1 Liter **61374** **16,90**

1000 ml **61375** **24,60**

Danger: H315, H318



Yachticon

Rain streak remover

Cleans heavily soiled surfaces. For all materials, in particular also GRP, metal & paint. Ready for use. 500 ml

GP* 31,00 / 1 Liter **61401** **16,90**

Danger: H290, H314



REIMO
16,90



KATADYN

Rain Strip Ex Concentrate

Special cleaner w/ depth effect for caravan & boat. The powerful, environmentally friendly cleaner for the heaviest soiling removes rain streaks, oil, grease and tar, road & environmental dirt on smooth wall, hammered plate & Gelcoat.

1000 ml **61330** **24,-**

Danger: H315, H318



Paint care

KATADYN

Yachticon

Yachticon

KATADYN

Yachticon



①



① **NanoTec Seal Polish**

Paint care with nanotechnology. Polish, care & surface sealing in one operation. 1000 ml

613292 **38,20**

② **Premium Polish w/ Teflon®** Cleans, polishes & seals in one step using high-quality waxes & PTFE. With UV protection, for high-gloss, protective surface. 500 ml

GP*43,90 / 1 Liter **614061** **24,-**

②



③



③ **Premium Hard Wax**

With Teflon Surface Protector. High gloss sealant w/ UV protection against fading. 500 ml

GP* 51,90/ 1 Liter **61448** **28,30**

Hazard: H226, H304, H336, H412, EUH066

④ **Rubbing abrasive polish**

w/o silicone. Removes dirt & small scratches. For polishing up matt surfaces. 500 ml

GP* 37,00/ 1 Liter **61454** **20,20**

④



Danger

⑤



⑤ **shampoo & wax - 2 in 1**

For thorough, paint-friendly & caring cleaning. Cleans painted surfaces & gives shine & protection with carnauba wax.

1000 ml **613295** **27,30**

Danger: H315, H318

⑥ **Grinding polish**

w/ fine abrasive particles, removes stubborn dirt. Provides a new shine to weathered plastic surfaces. 500 ml

GP* 41,00/ 1 Liter **61449** **22,40**

⑥



Danger

BP* = Base price per specified unit

Interior cleaning



Stain spray

Removes stains & soiling from all carpet & upholstery materials. Attacks factory anti-soiling finishes, such as e.g. Scotchgard®, Teflon® & antistatic finishes. Eliminates odor molecules at the same time. Fast acting (no contact time). Productivity increase due to extremely fast drying

250ml **92426** **18,50**
GP* 67,80 / 1 Liter



Yachticon

Carpet and Upholstery cleaner

Thoroughly removes stains from all fabrics and Carpets. Simply spray on, dry leave and vacuum.

500 ml **61452** **15,20**
GP* 27,90 / 1 Liter



Yachticon

Stain Away Magic Sponge

Cleans only w/ water without detergent. Removes all stubborn stains such as rain streaks, lime, flash rust, pen marks, tea & coffee stains. Ideal for all plastic & metal surfaces.

4 piece **61499** **15,20**



17,40

Yachticon

Rubber care

For cleaning rubber surfaces. Also suitable as a cockpit cleaner.

250 ml **61455** **17,40**
GP* 63,80 / 1 Liter

Plastic cleaner / all-purpose cleaner

① **Plastic cleaner**

Active foam for interior and exterior. Removes limescale stains for shine & hygiene.

500 ml **61477** **8,70**
GP* 15,90 / 1 Liter
Danger: H319

② **Plastic cleaner**

1000 ml **61470** **20,20**

③ **Plastic and sink cleaner**

Seals & cleans all plastics such as GRP, gelcoat, ABS, PU, PVC etc. Especially for washbasins & tables, kitchen worktops, interior cladding, cupboards, etc. Refreshes faded colors. Removes small scratches, dull spots & discolorations.

250 ml **61439** **26,20**
GP* 95,80 / 1 Liter

④ **Orange Intensive Cleaner**

The intensive cleaner w/ the power of orange. Environmentally friendly & pleasant smell. Removes stubborn dirt, grease & many other stains.

500 ml **66397** **15,50**
GP* 28,40 / 1 Liter
Danger: H226, H318, EUH208

THETFORD



Yachticon



③



④



BP* = Base price per specified unit



Yachticon

Acrylic scratch remover

Removes scratches from acrylic glass or polycarbonate, makes dull panes transparent again. Removes stubborn stains & discolorations. With long-term protection against dirt & cracking. Lets rain roll off.

250 ml **61443 18,50**
GP* 67,80/ 1 Liter



Yachticon

Acrylic care

Removes all types of soiling from acrylic glass or polycarbonate particularly gently. Makes dull slices smooth again. Prevents stress cracks.

Pump spray bottle
500 ml **61444 16,70**
GP*330,60/ 1 Liter



Quixx Polishing paste for acrylic glass

- Reliably removes scratches in caravan / motorhome windows
- Suitable for uncoated acrylic parts on motorhomes, caravans, boats, airplanes
- Non-toxic, odorless, water soluble
- Suitable for polishing machines

Scope of delivery: 50 g polishing paste and 1 grinding stone for deep scratches.

38051 15,20
GP* 279,00 1 kg



MULTIMAN

AcrylicClean 500

Clear view & new shine for plastic windows. Road and environmental dirt on plastic windows of motorhomes and caravans is removed effectively yet gently, as are soot, grease and streaks. Pump spray bottle

500 ml **61498 21,30**
GP* 39,00 / 1 Liter

REICH
THE QUALITY EXPERIENCE



Attention

mycleanhome
Complete set for care and cleaning

Care set for motorhomes & caravans.
Scope of delivery:
2x 500 ml intensive cleaner
1x 250 ml acrylic glass cleaner
1x 100 ml rubber care
2x cleaning cloth

61467 **42,-**
Warning: H319



Attention

Attention

Attention

mycleanhomesingle products

① 500 ml intensive cleaner
61480 **12,-**
GP* 21,90/ 1 Liter

Warning: H319
② 250 ml Acrylic glass cleaner
61481 **8,70**
GP* 31,80/ 1 Liter

③ 100 ml rubber care
61482 **9,40**
GP* 86,00/ 1 Liter



Danger

④ **mycleantank**

So that the vacation w/ the motorhome or caravan is not clouded by dirty pipes & tanks: the water system cleaner easydriver mycleantank. It makes tired pipes & tanks lively again. Look forward to your vacation instead of scrubbing: the test winner mycleantank does the work. 1000 ml tank cleaner
61483 **16,10**
Danger: H319



Biodegradable

⑤ **myfreshtank for tanks & pipes**

The microbiological waste water tank fresher easydriver myfreshtank ensures more freshness in home on wheels. It keeps tanks & pipelines sustainably clean by effectively preventing dirt & grease deposits and effectively neutralizing odors.
1000 ml **61484** **16,30**

CARAVANING
Testurteil Ausgabe 05/2019
TESTSIEGER
Sehr empfehlenswert
easydriver / REICH
easydriver mycleantank



Danger

Yachticon
Anti spider spray

Quickly & reliably repels all spiders & relatives. Natural scents prevent new settlement for a long time. Simply spray and let it work.
500 ml **61441** **20,70**
GP* 37,90 / 1 Liter

Warning: H225, H317, H319, H410



TIP

Danger

Yachticon
Special remover

Resin, graffiti & adhesive residue remover Removes sticky residue from stickers, lettering & graffiti. Also suitable for all types of fabric.
200 ml **61451** **18,50**
GP* 84,75/ 1 Liter

Warning: H222, H229, H315, H317, H336, H361F, H411



Danger

Grill cleaner

Removes grease & soot from the grill grate. For cast iron, stainless steel, porcelain, ceramics & glass.
Spray bottle
650 ml **61642** **19,60**
GP* 27,62 / 1 Liter

Warning: H290, H314



Danger

Cadac Cleaner

For cleaning all black enameled parts (not for Teflon-coated surfaces!)
400 ml **91443** **6,50**
GP* 14,88/ 1 Liter

Warning: H222, H229, H314, H318

TENT, AWNING, FABRIC CLEANING AND CARE

Cleaning



Yachticon



Awning cleaner

For natural & synthetic fabrics.

1000 ml **61417** **22,90**

Danger: H315, H319



THULE

PVC cleaner

for cleaning awning cloths.

Practical pump spray bottle.

500 ml **E6100** **10,90**

GP* 19,98 / 1 Liter



14,80

Yachticon



Mold Remover

Thoroughly & automatically removes mold & mildew stains from all types of fabrics. Eliminates musty odor at the same time & protects against new infestation.

500 ml **61440** **14,80**

GP* 27,00 / 1 Liter

Hazard: H290, H314, H400, H412, EUH031, EUH206

Impregnation/sealing



11,50



① Impregnating concentrate

4-fold impregnation concentrate for all canopies, sun sails, awnings, tents, parasols & similar fabrics. Simply dilute w/ four times the amount of water & impregnate the fabric. Prevents mildew stains and mold. Solvent free.

1000 ml **61445** **30,90**

② Tent cleaner and Impregnator

Also for parasols and clothing; breathable. Against electrostatic charging.

1000 ml **61409** **27,20**

Hazard: H225, H315, H319, H304, H336, H411, EUH066

Seam tight

Seals water repellent & weather resistant, makes leaking seams in tents, awnings, tarpaulins or clothing waterproof again. Durable, with long effect

100 ml **61446** **11,50**

GP* 105,00 / 1 Liter

Danger: H225, H319, H336

Seam sealant with brush

Ready-to-use seam sealer in a practical brush can. Seals all seams & makes leaking seams waterproof again.

100 ml **61447** **16,80**

GP* 154,00 / 1 Liter

Hazard: H225, H315, H319, H335, H336, H411, EUH066

Care



THETFORD

Sealing spray and care product in one

Suitable for rubbers, locks, hinges, bicycles.

200 ml **61425** **6,55**

GP* 29,95 / 1 Liter

Danger: H222, H229



Yachticon

Zipper-/ Keder pull-in spray

Make zippers run smoothly or make it easier to pull in piping (awnings). Prevents squeaking of moving parts. Makes stuck parts common again.

200 ml **61450** **13,80**

GP* 63,00 / 1 Liter

Hazard: H222, H229, H315, H326, H411



Yachticon

Lubricant spray with Teflon

For zippers and everything that squeaks.

300 ml **96038** **17,30**

GP* 52,67 / 1 Liter

Danger: H222, H229



Silicone spray

For easier running of zippers, to protect plastic & rubber parts.

300 ml **29421** **11,50**

GP* 35,00 / 1 Liter

Hazard: H225, H317, H319, H410

Airtune Air filter for Truma heaters

- Filters dust, pollen and other particles
- For Truma heaters in motorhomes

Filters dust, pollen & other particles at the air outlet of the Truma heater & ensures that they do not get into room air. Air filter short 85 mm/long 95 mm. (measured from outer edge of the piece of furniture) Simply attach the filter to the back of the end piece/outlet of the Truma heater.

AIRTUNE AIR Air filter bundle 3:3 - advantage set

Contents: 1 starter set 3:3 with 3 air filters (long) + 3 air filters (short) and 1 refill pack 3:3 with 3 air filters (long) + 3 air filters (short)

924295 142,-

AIRTUNE AIR air filter starter set 3:3

Contents: 3 air filters (long) + 3 air filters (short)

924293 98,10

AIRTUNE AIR Refill pack 3:3

Contents: 3 air filters (long) + 3 air filters (short). Important: without adapter ring for attachment to the Truma heater outlet

924294 76,30

AIRTUNE AIR Refill pack 5:1

Contents: 5 air filters (long) + 1 air filter (short) Important: w/o adapter ring for attachment to the Truma heater air vent

924291 76,30



**1 kg for
app. 35 m²**

**Multy Dry Room
dehumidifier**

Protects fabrics, leather, clothing, electronic equipment & household accessories from corrosion, rotting, mold, mildew, but also odors. Absorbs up to 600 g of water. Can be regenerated in the oven. 1 kg for room size of app. 35 m² for app. 2-4 months.



92406 18,50

Yachticon

10,30

**Dehumidifier
Antihumedad**

Practical dehumidifier w/ tablet, provides reliable protection against moisture damage. 450 g for app. 20 m², shelf life 3-4 months.



92410 10,30

Replacement tablet for 92410

450 g **924101 6,50**
GP* 13,22/1 kg

Dehumidification for motorhomes & caravans

① Dehumidifier including 1 kg granules

Reduces humidity in closed caravan, motor home, boat, etc.. Protection against mold, corrosion & moisture damage. Effective up to 3 months. For rooms from 50-70 m.

92404 26,20

② Granules for dehumidifier 2 x 1 kg

92405 8,20
GP* 3,75/1 kg



2x 1 kg