



LIVING COMFORT



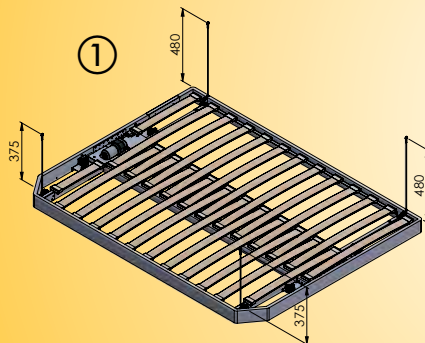
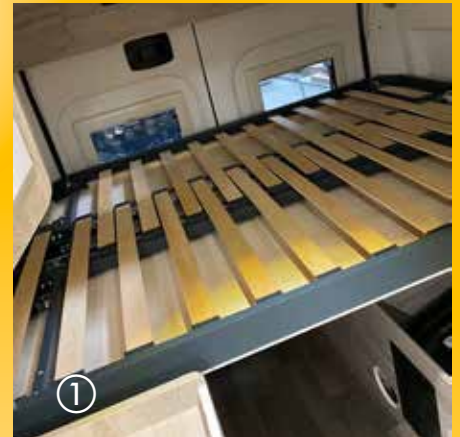
Electric drop-down beds for Fiat Ducato, Peugeot Boxer, Citroën Jumper & Mercedes Sprinter

- Space saving sleeping option
- Extra light alu profiles (weight app. 35 kg)
- Loadable up to max. 400 kg
- Max. 6-7 amps, operational consumption 12 V
- No adjustment necessary, lengths balance out automatically
- Infinitely height adjustable
- Mechanism under slatted frame integrated in frame
- Maintenance-free
- Slatted frame w/ slat caps, minimizes noise while driving

New Carbest electric drop-down bed is characterized by its high-quality workmanship & intuitive assembly. It is infinitely height-adjustable. Extra light weight (app. 35 kg) is achieved using stable aluminum profiles. Static load capacity: 400 kg. Operating speed: 33 mm/second, with a consumption of only 7 A, input 12 V. Maximum stroke (run): 900 mm.

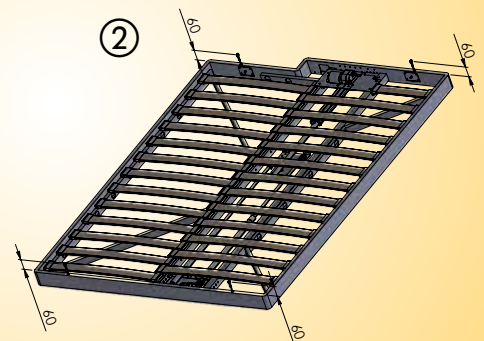
The product is maintenance-free. Includes slat caps for the slatted frame for optimum reduction of mechanical noise while driving.

All information on page 505



For Fiat Ducato, Peugeot Boxer, Citroën Jumper

Lifting bed w/ cable pull 1760x1325 mm
 Frame color black 93957 2070,-



For Mercedes Sprinter

Lifting bed w/ rails 1853/1761x1400 mm
 93958 2092,-

Universal brackets.....	490	Organizer/backrest cushion for cab seats.....	498
Cup holders/cabin fans.....	491	Window pockets/window panels.....	499
Shelves/storage nets.....	492	Extra beds / cribs / toppers.....	500 – 501
Dashboard shelves/storage space sliding door.....	493	Bed kit/sleeping systems.....	502 – 503
Cab floor mats.....	494 – 496	Safety nets.....	504
Heating foil /heating carpets.....	497	Lifting beds can be retrofitted.....	504 – 505

UNIVERSAL MOUNTS



Usage horizontal & vertical

① **Universal navigation & mobile holder** w/ suction cup attachment, 360° rotatable, material: ABS+PU, color black, dim.: 12x10x7.5 cm. Weight 0,1 kg 46238 8,70

② **Universal tablet / mobile holder** For tablets w/ maximum width of app. 10-17.7 cm, 360° rotatable, for headrests, bicycles, tent poles, etc. For tubes w/ Ø 18-34 mm. Material: aluminum & plastic Weight 0,3 kg 462381 25,10

SCANSTRUT® Universal fasteners for free combination



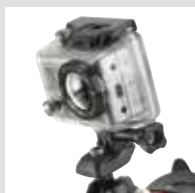
Tablet holder
493466

43,60



Smartphone holder
493467

40,30



Action camera mount
493468

25,10



1/4" camera mount
493469

25,10



- Extremely stable and high quality brackets
- Simple locking with just one hand movement
- A wide range of mounting options
- Waterproof & corrosion resistant (stainless steel screws)
- Base with quick release



ROKK™ | mini

Adjustable support arm
493460 61,-



Retaining system for screwing
493461

22,90



Holding system with suction cup
493465

40,30



Holding system self-adhesive
493464

28,30



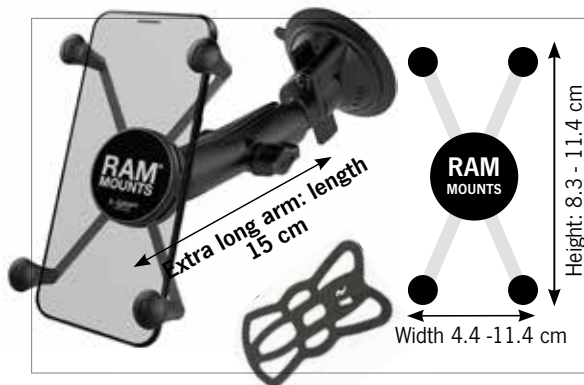
Round tubes retaining system (e.g. bike handlebars)
493462

38,10



Thick round tube holding system & poles
493463

25,10



X-Grip universal mobile holder w/ extra long arm



- Secure hold on windshield due to strong suction base
- Extra long holding arm for comfy device operation
- X-shaped clamp securely fixes even large mobiles

The universal mobile holder for windshield with spring-loaded X-Grip retaining clip. Flexible retaining clip adapts to dimensions of smartphone. Extra-long arm makes it easy to operate the device even from a greater distance. Scope of delivery: Suction cup, base, extra-long connecting arm, X-Grip for large smartphones

462382 115,-





Can holder Ben

For transporting open beverage cans or bottles. Can be mounted on vertical surfaces or simply hung up. Variable clamp system - collapsible.

Grey	462190	5,40
Black	462210	5,40



CUP-IN Cupholder for Volkswagen T5/T6 & Mercedes-Benz V-Class

Stable due to ceramic-coated metal & polyamide. Ideal for containers w/ Ø 65 - 80 mm & minimum height 95 mm. Installation w/o tools. Titanium silver & matt black color.

① **For wide armrests:** Not suitable for original armrests in Volkswagen commercial vehicles > 5/2003. Dim.: 88 x 164 x 96 mm. Weight 220 g. 1 piece

46220	33,80
--------------	--------------

② **For narrow armrests:** w/ a min. height of 45 mm & max. width of 58 mm. Ideal on armrests of VW T5/T6 seats or e.g. Mercedes Viano/V-Class. Dim.: 88 x 148 x 96 mm. Weight 210 g. 1 piece

46206	41,40
--------------	--------------



Sun visor extension - For cars & motorhomes

Vertical and horizontal extension possible. Material: Plastic (ABS). Dim.: W 11 x L 27 x D 1.5 cm. Color: gray, weight: about 0.25 kg

462068	32,20
---------------	--------------

High-quality fans for a fresh breeze on the road, in your motorhome or caravan.



Sirocco II - 12/24V premium cabin fanr

- Ultra quiet motor w/ low power consumption
- Long motor life of 20,000 hours
- 3 speed settings and 4 timer settings possible
- 360° ventilation
- Premium design w/ stainless steel protective grille

Dim.: Ø 18cm, W 35 x H 27.3 x D 14 cm. Weight app. 0.82 kg.

Color: White	462887	217,-
Farbe: Schwarz	462892	217,-



12V
24V



12V

Bora - 12V cabin fan

- 3-stage touch control
- Adjustable angle
- Long life 5000+ motor with low power consumption
- Compact design
- Easy to install
- Mounting laterally upright or downward

Newly developed high-performance blade with high efficiency. Maximum airflow with minimum noise level, fan speed adjustment to suit the application. Fully protected on front and rear. Locking cam bracket.

App. dim.: Ø15 cm x W16.5 x H 24.1 x D 7.6 cm. Weight app. 0.58 kg.

Color: White	462882	157,-
--------------	---------------	--------------



12V

Maestro - 12V fan incl. LED light

- Integrated LED light, switchable white to red
- Operation via wired remote control
- Adjustable speeds
- Whisper quiet operation

W 16.5 x H 21.5 x D 8 cm. Weight app. 0.8 kg.

Color: White	462884	179,-
Farbe: Schwarz	462893	179,-

12V

Ultimate - One of the quietest and most powerful 12 V fans in its class

- Two speeds possible
- Low power consumption
- Without guard grille, w/ FingerSafe
- Two mounting options: Permanent or with removable suction cup
- Long life of the motor
- Adjustable tilt head
- With adapter for cigarette lighter

Quiet, reliable operation. Direct air flow in all directions. Easy to install. Easy to clean. App. dim.: Ø18 cm, W 13.34 x H 20.3 x D 6.3 cm. Weight app. 0.48 kg.

Color: White	462885	112,-
Color: Black	462886	112,-

FILING COMPARTMENTS & STORAGE NETS



Pocket trays

Multifunctional shelves are suitable for installation throughout the vehicle, from cabin to garage, from toilet to kitchen. Made of durable plastic. Fitted w/ supplied screws.

- ① **Pocket tray M, white:**
Weight: 0.1 kg, dim.: W26 x D8 x H8.5 cm. **SA1086 9,50**
- ② **Pocket tray L, white:**
Weight: 0.1 kg, dim.: W26 x D8 x H16.5 cm. **E662 11,70**
- ③ **Pocket Tray XL, gray:** Weight: 0.3 kg, Dim.: W38 x D10 x H16 cm. **46213 18,20**

Pocket Plus trays

Material: polymer, Scope of delivery: tray, screws & spacers.

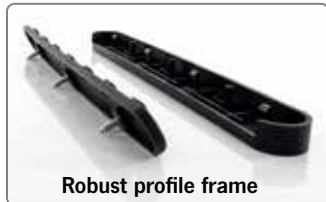
- ④ **Pocket Plus Tray M, capacity 1.2 liters, cream white:**
Weight: 0.1 kg, dim.: W 26 x H 9 x D 8.5 cm. **46271 14,-**
- ⑤ **Pocket Plus tray L, capacity 4.4 liters, cream white:**
Weight: 0.4 kg, dimensions: W 38 x H 14 x D 11.5 cm. **46041 21,80**



Storage nets in 4 sizes

- Wide range of applications
- Elastic mesh
- Quickly and easily attached

Storage nets provide firm hold for utensils. 4 sizes available. Scope of delivery: Storage net, profile frame, mounting material. Color black.



Robust profile frame

Storage net S , W 20 x H 26.5 cm	461945	14,20
Ablagenetz M , W 27 x H 26.5 cm	461946	16,30
Storage net L , W 35 x H 26.5 cm	461947	18,50
Storage net XL , W 45 x H 26.5 cm	461948	20,70



3 sizes available: S, M and L

Aluminum storage compartments incl. elastic net

- Stable aluminum frame and elastic mesh
- Shelves are pre-assembled & can be attached directly
- 6 holes in aluminum profile for easy wall mounting

Create additional storage space in vehicle for utensils. Storage compartments available in 3 sizes w/ pre-mounted mesh. (Supplied without mounting material). Color aluminum frame & net: black.

Storage compartment S , W 33.5 x H 18.5 x D 8 cm	461942	27,20
Ablagefach M , W 39 x H 20 x D 8 cm	461943	32,70
Storage compartment L , W 45 x H 22.5 x D 8 cm	461944	38,10

Storage compartments



Fig. shows compilation of net and aluminum frame.

① Storage nets for aluminum frames (supplied w/o frame)

Size S, 302 x 169 mm	46196	13,10
Size M, 366 x 180 mm	46194	19,40
Size L, 415 x 210 mm	46195	25,10

② Alu frame for storage nets (supplied w/o net)

Size S, 325 x 180 x 80 mm, for net 46196	461960	39,20
Size M, 390 x 200 x 80 mm, for net 46194	461940	45,80
Size L, 440 x 225 x 80 mm, for net 46195	461950	47,90

Kiiper storage nets

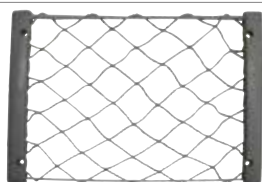
Kiiper nets are open at the bottom. For motorhomes, caravans or camper vans. Can be mounted horizontally or vertically on the wall, ceiling or floor. Elastic black nets are available in 8 sizes.



L 200 x H 250 mm	47510	20,70
L 270 x H 250 mm	47511	22,90
L 350 x H 250 mm	47512	28,30
L 450 x H 250 mm	47513	34,90

Mini version

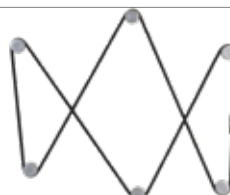
L 200 x H 40 mm	47519	12,-
L 400 x H 40 mm	47520	15,20
L 200 x H 130 mm	47521	16,30
L 400 x H 130 mm	47522	18,50



Storage net for door

Sturdy holding frame. Dim.: app. 315 x 215 mm.

Gray plastic, incl. 4 screws and covers. **461941 8,20**



Storage & clamping system set

Consisting of: 2 m round cord, 6 fastening knobs with screw caps and connector. **919261 18,50**

Delivery of all items without decoration



Induction charging cradle for Fiat Ducato, Peugeot Boxer & Citroën Jumper ≥ '06

- Is precisely integrated into vehicle cockpit
- For wireless charging of all mobiles that allow inductive charging

Insert your mobile and charge it wirelessly. Charging process can be controlled via integrated on/off switch. Lockable cover prevents mobile from slipping out or out of place. Quick & uncomplicated installation: the original stand is simply replaced with charging cradle & connected to the vehicle electrical system via plug & play. All connection cables are included in the scope of delivery.

2 more ports for additional devices are installed in the charging cradle.

Charging cradle w/ USB & HDMI port < 2021 81763 169,-
 Charging cradle w/ USB & jack/AUX connector < 2021 81764 169,-



Glove compartment tray - for mobile phone/tablet including cup holder

Suitable for Fiat Ducato, Peugeot Boxer, Citroën Jumper & RAM Promaster, ≥ 2006, if center glove box is installed.

Storage compartment w/ 2 cup holders & the option to safely place mobiles or tablet (cell phone can be placed at an angle to read the navigation). Opening for charging cable in mobile compartment if required. With additional bumpers & anti-slip inserts to prevent noise. Glove compartment remains completely intact: simply insert into the open glove compartment.

462031 113,-

Volkswagen Transporter 2 / 3 storage console

For all Volkswagen commercial vehicles built 1979 - 1990. L 60xW17xH8cm. Black.

46190 36,-



Volkswagen Transporter 4 Storage console

For model years 1990 to 2003 w/ unpadded dashboard (no airbag). Elegant design w/ universally usable layout. Color grey. L 37 x W 20 x H 5 cm.

46200 32,70



Storage Fiat Ducato > 1994

With space for 2 cans/bottles 0.33 l, pens, sunglasses, coins & much more as well as a universal compartment. Color anthracite. L 470 x W 225 x H 12 mm.

46203 45,30



Practical center trays

- Poplar plywood coated w/ anthracite leather design
- Anthracite lipping
- Base plate with anti-slip coating

① For Volkswagen Transporter 6 / 5, Multivan Startline & Transporter w/ storage compartment flap in middle of dashboard > 05/2003 & 2015. Not for Multivan Comfortline.

46395 172,-

② For Fiat Ducato ≥ 2006 and 2013 suitable for vehicles w/ pleated blind for darkening the windshield. Material: poplar plywood coated w/ imitation leather in black, black edging, base plate w/ anti-slip coating.

46394 123,-



DOOR STORE - More storage space in Volkswagen Transporter 6 / 5 sliding doors

- Quickly installed
- 3 separate compartments
- Easy to clean
- Made in UK
- Including 20 mounting clips for installation

Use hollow spaces in your VW T5/T6 sliding doors. After installation, check carefully that there is no contact between door store and vehicle when door is opened. Please note: The shelf cannot be used if the door release cable is routed through the hole in the center cavity.



Left sliding door  461990 362,-
 Right-hand sliding door 461991 362,-

DOORMATS / CARPETS



8,20

Doormat for indoor use Material: 100% coconut, Dim.: 50 x 25 cm

Decor "Motorhome" **51649 9,30**
 Caravan" decor **51651 9,30**
 Decor "Holiday Travel" **51657 10,40**

Doormat 40 years Reimo Derby

Flock for indoor use Material: 100% polypropylene, dim.: 50 x 25 cm. Weight: 0.6 kg.

51676 8,20



Coco Brush doormat Material: 100% coconut fiber, base: vinyl. Dim.: 30 x 35 x 3 cm

17,40

516792 17,40



Master Camp - living room rugs, 50 cm wide

Fresh and cheerful design as a carpet for motorhomes or caravans. Washable at 30°. Material: Polypropylene/TPR

Grey **150 x 50 cm 516482 24,-**



Living room carpet Runner Kamper

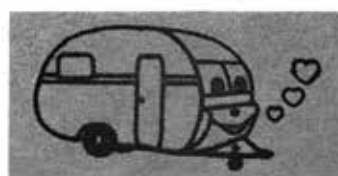
Caravan motif. Simply adjust size w/ scissors. Washable at 30°. Material: 55% cotton, 45% polyester **50x150 cm in gray 516480 26,80**



Velour floor mats

- High quality, and resistant
- Upgrading the cab with a homely character
- Insulating coating against cold and heat
- Color medium gray

80 x 50 cm 51645 17,40
100 x 50 cm 51646 21,80
150 x 50 cm 51647 28,30



Doormat DERBY FLOCK indoor use

Material: 100% Polypropylene, Dim.: 50 x 25 cm

Decor "Camper" **51660 9,30**

Caravan" decor **51661 9,30**



Kera Kamp doormat Dim.: 40 x 60 cm, motif: motorhomes & caravans.

Material: PP/rubber

Black **51668 10,40**

Gray **51669 10,40**



Green Flock doormat Dim.: 40 x 60 cm, motif: Caravan. Material: PP/rubber

Caravan **51671 12,-**

Motorhome **51675 12,-**



Doormat Life is a Journey

Robust doormat, black w/ colorful emblem print. The rubberized back prevents slipping. Perfect for living area in the vehicle, for the awning or at home. Size: 60 x 40 cm **516431 21,80**



Doormat Camper Dimensions: 40 x 60 cm, Motif: Motorhomes Material: PP/Rubber

Black **51667 10,40**



Doormat Nevada

Dim.: 60 x 40 cm. For entrance area

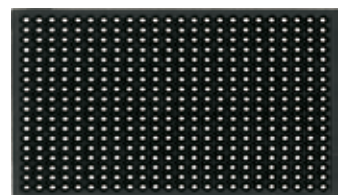
Color grey **51643 12,60**



Rubber doormat Love Knot

Dim.: 47x62cm, material: 100% rubber, hand washable max. 30°C

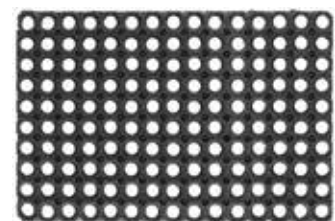
Black **516642 21,80**



Rubber doormat Twin Dim.:

47x62cm, material: 100% rubber, hand washable max. 30°C

Black **516641 21,80**

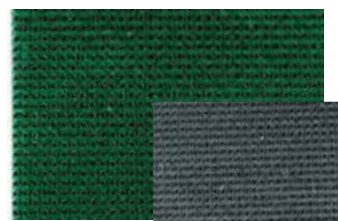


Doormat rubber

Material: 100% rubber Dim.: 60 x 40 x 2 cm

Mat **51664 11,50**

Connection set **516640 2,75**



Doormat artificial grass

Material: 100% polyethylene Dim.: 60 x 40 cm

Color green **51663 10,90**

Color Grey **51662 10,90**

RUBBER FLOOR MATS
Solid rubber


Top side / bottom side

- Top with grid structure
- Perfectly protects the interior from moisture
- Nubbed underside prevents slipping
- Color: Black

BASIC FLOOR MATS
Needlefelt carpet


Top side / bottom side

- Needle fleece top
- Edges hemmed - no fraying
- Back with non-slip plastic structure
- Color: Anthracite

PREMIUM-FOOTMATS
Soft PVC


Top side / bottom side

- 10 mm thickness
- Hygienic
- Easy to clean
- 100% PVC, recyclable
- Anti-slip back
- Antistatic
- Color: Black

PLUS FLOOR MATS
Needlefelt velour carpet


Top side / bottom side

- Top made of dense needlefelt velour
- Back with non-slip rubber granules
- Edges bordered - no fraying possible
- Color: anthracite mottled

EXQUISITE FLOOR MATS
Velour carpet


Top side / bottom side

- High quality top made of soft velour w/ noble look
- High quality edging
- Non-slip rubber back
- PU back coating for even more insulation
- Color: Black

Vehicle type	Year of manufacture	Rubber mats (solid rubber)		BASIC Floor mats		Premium floor mats		PLUS Floor mats		EXQUISIT Floor mats	
Fiat Ducato/PeugeotBoxer/CitroënJumper	1994 - 2002					515803	58,90	51561	85,-	516018	150,-
Fiat Ducato/PeugeotBoxer/CitroënJumper	2002 - 2006	51680	49,-	51622	36,-	515802	49,10	51567	85,-	516017	150,-
Fiat Ducato/PeugeotBoxer/CitroënJumper	2006 - 2014	51681	50,10	51673	43,60	515801	43,60	515711	85,-	516051	150,-
Fiat Ducato/PeugeotBoxer/CitroënJumper	> 2014	51681	50,10	51674	43,60	515800	43,60	515711	85,-	516051	150,-
Opel Movano	> 2021										
Volkswagen Caddy/ Volkswagen Caddy Maxi	2008 - 2020	516802	37,10					515712	78,50		
Volkswagen Caddy/ Volkswagen Caddy Maxi	> 2020	516814	32,70					516019	78,50		
Volkswagen Transporter 4	> 9/1995	516803	42,50	51625	44,70			51557	85,-	516022	150,-
Volkswagen Transporter 5	> 2003	516804	49,-	51626	44,70	515804	58,90	51579	85,-	516025	150,-
Volkswagen Transporter 6.1 / 6	> 2015	516805	49,-	51578	32,70	515805	40,40	51579	85,-	516025	150,-
Volkswagen Transporter 7 Multivan	> 2021	516816	46,90	516357	43,60			515713	85,-	516053	159,-
Volkswagen Crafter/MAN TGE	> 2018	516811	50,10					516026	85,-	516027	150,-
Mercedes-Benz Sprinter/ Volkswagen Crafter	2006 - 2018	51683	54,50	51634	44,70	515806	58,90	516030	91,60	51606	150,-
Mercedes-Benz Sprinter/Volkswagen LT	1996 - 2006	51683	54,50					516031	91,60	51602	150,-
Mercedes-Benz Sprinter	> 2018	516812	54,50	516039	43,60			516028	85,-	516029	150,-
Iveco Daily	> 2014	516806	40,30								
Renault Trafic / Nissan NV 300 / Fiat Talento	> 2014	516801	47,90					51581	85,-	516032	150,-
Opel Vivaro B	2014-2019										
Mercedes-Benz Vito / Viano	2003-2014	516809	38,10								
Mercedes-Benz Vito / V-Class / Pössl Campstar / Vanstar	> 2014	516810	38,10	516341	39,20			516033	85,-	516021	150,-
Ford Transit	2000-2013	516808	29,40	51627	44,70						
Ford Transit (handbrake left)	2004 - 2006			51629	44,70						
Ford Transit (handbrake left)	2006 - 2013			516351	43,60			515731	85,-	516034	150,-
Ford Transit Custom	> 2014	78098	42,50	516352	43,60			516035	85,-	516036	150,-
CitroënSpacetourer/Jumpy/Peugeot Traveller/Expert/Toyota Proace Verso/Pössl Campster/Vanster	> 2016	516800	37,10	516353	43,60			516037	85,-	516038	150,-
Opel Vivaro C/Zafira Life	> 2020										
Fiat Scudo/Ulyssee	> 2022										

NOTE: Dimensions are adjusted for 2 single seats in the cab, not suitable for double bench seats.

ENTRANCE MATS / FLOOR MATS

CARBEST 




Access mat sets

High-quality entrance mat sets to protect the vehicle interior from moisture and dirt.

set of 2 = 2 cab mats

set of 3 = 2 mats cab + 1 mat sliding door

set of 4 = 2 mats cab + 2 mats sliding door

Vehicle type	① Color grey with black border		② Color anthracite striped	
 Volkswagen ID Buzz			51815 (set of 2)	16,30
Volkswagen Caddy/ Caddy Maxi from 2020			51812 (set of 2)	17,40
Volkswagen Transporter 4			51801 (set of 2)	17,40
Volkswagen Transporter 6.1 / 5	516010 (set of 3)	65,40	51802 (set of 2)	17,40
Volkswagen Transporter 7			51804 (set of 2)	17,40
Mercedes-Benz Vito/Viano > 2014	516013 (set of 3)	65,40	51813 (set of 2)	17,40
Citroën Spacetourer > 2016	516012 (set of 4)	76,30	51689 (set of 2)	17,40
Fiat Ducato > 2006	516016 (set of 2)	54,50	51806 (set of 2)	17,40
Fiat Ducato > 2014	516016 (set of 2)	54,50	51808 (set of 2)	17,40
Volkswagen Crafter > 2018	516011 (set of 2)	54,50	51800 (set of 2)	17,40
Mercedes-Benz Sprinter 2014-18			51811 (set of 2)	17,40
Mercedes-Benz Sprinter > 2018	516014 (set of 2)	54,50	51800 (set of 2)	17,40
Ford Transit > 2014			51809 (set of 2)	17,40
Ford Transit Custom > 2016	516015 (set of 2)	54,50	51810 (set of 2)	17,40



from **31,60**

HEOSdoor mat®

Doormat for cab entrances

- Use without additional fastening, precisely adapted to the entrance of the vehicle
- Contents: 2 cab mats
- 100% polypropylene, color: anthracite

Volkswagen Transporter 6 / 5 (set of 3 = 2 mats cab + 1 mat sliding door)	51670	64,30
Ford Transit, Ford Nugget > 2000	516075	31,60
Renault Master, Opel Movano, Nissan NV 400 > 2010	516077	31,60
Renault Master, Opel Movano y. 2000-2010, Iveco Daily y. 2000-2014	516076	31,60
Duc. 230/244, Boxer, Jumper y. 1994-2006	51607	31,60
Duc. 230/290, Boxer Jumper y. 2006-2019	516072	31,60
Fiat Ducato > 09/2019	516079	31,60
Mercedes Sprinter Year 2006-2018	516074	31,60
Mercedes-Benz Sprinter > 2018	516070	31,60



ADRIA
Freizeit mit noch mehr Komfort

Entrance mat especially for Adria motorhomes


Size 45 x 21 cm, color anthracite

51616 14,20



Floor mats/carpets for Campster/Vanster/Campstar/Vanstar by Pössl, Citroën Spacetourer, Peugeot Traveller, Mercedes Vito & similar

Mats for the footwell under the dashboard, entrance, trunk & living area. Material: Synthetic fiber 1900 g/m² in gray & anthracite, each w/ black stripes.

CARBEST 	For Pössl Campster			For Pössl Vanster			For Pössl Campstar			For Pössl Vanstar		
	Color grey	Color anthracite	Price	Color grey	Color anthracite	Price	Color grey	Color anthracite	Price	Color grey	Color anthracite	Price
① Cab	51686	51687	58,90	51032	51033	56,70	51700	51701	58,90	51714	51715	58,90
② cab access (2 pcs.)	51688	51689	17,40	51688	51689	17,40	51702	51703	17,40	51702	51703	17,40
③ Living space entry	51698	51699	21,80	51698	51699	21,80	51704	51705	21,80	51704	51705	21,80
Living space o. rails	51690	51691	58,90	516000	516001	56,70	51706	51707	58,90	51720	51721	58,90
④ Living space w. rails	51692	51693	67,60	516002	516003	65,40	51708	51709	67,60	51722	51723	68,70
Trunk or rails	51694	51695	51,20	516004	516005	50,10	51710	51711	51,20	51724	51725	51,20
⑤ Trunk w. rails	51696	51697	62,10	516006	516007	61,-	51712	51713	62,10	51726	51727	62,10

Underfloor heating for caravans & motorhomes

- Safe operation via 230 V transformer (foil 48 volts)
- Ultra-thin film, only 0.3 mm thick
- Easy subsequent installation (foil is placed on floor and fixed w/ adhesive tape 870131)
- Perfect adaptation to floor surface possible
- Top heat distribution & high heat output: 80 watts /m²

① Heating foil, W: 43 cm, 5 meters	870110	113,-
① Heating foil, W: 53 cm, 5 meters	870112	145,-
20 meters	870113	581,-
① Heating foil, W: 69 cm, 5 meters	870114	210,-
20 meters	870115	839,-

Conversion from 230 V to safety extra-low voltage (48 V):

② Crimping pliers (for assembly)	870125	83,90
③ Connection terminals - for connecting the installation cables to foil. Dim.: 27.2 x 12.5mm, 10 pieces	870134	21,80
Cable for the heating foil, 10 meters	870116	32,70

Adhesive tape for heating foil transparent, 20 mm, 20 m roll GP* 0,30 / 1 m 870131 6,50

Accessory set for installation (Contents: double-insulated RTK cable 6.25m, 16 connection terminals, insulating tape, sealing tape, yellow label, sticker & install instructions) 870135 65,40

④ Transformer 250 VA	870123	217,-
④ Transformer 350 VA	870124	212,-
④ Transformer 500 VA. Secondary voltage 34 - 42 - 48V.		
Dimensions 23x17x9 cm	870119	392,-



Heated cab floor mat for Fiat Ducato 230 V

- Insulated against cold from below
- For Fiat Ducato, Peugeot Boxer, Citroën Jumper from model year 7/2006
Luxury version. 230 Volt. 71 watts.
1-piece for the entire cab

51609 394,-

230V



from 394,-

PRO CAR
AUTO- UND MOTORHAUSEN

12V



12 Volt floor heating

- Short warm up time
- Low power consumption
- Cost-effective to purchase and operate (use)
- Flexible & easy to install Maintenance-free & silent
- No dust swirling

Less than 1 mm thick, flexible material. Glass fiber fabric consists of heat-conducting carbon fibers that generate a pleasant heat in just a few minutes.

Technical data: Voltage: 12 Volt, Power: app. 160 Watt /m², Connecting cable: app. 2 m w/ universal plug

Size 50 x 100 cm	87040	138,-
Size 50 x 150 cm	87041	196,-

PRO CAR
AUTO- UND MOTORHAUSEN

12V



230V



from 103,-

12 V and 230 V heating carpets

- Underside with anti-slip mat
- High quality
- Short start-up time approx. 10 minutes
- Comfy temperature up to about 30 degrees

12 volt heating carpets:

Power: from app. 35 watts to app. 90 watts, connecting cable: app. 2 m with universal plug

① Light brown 60 x 40 cm	87042	103,-
① Light brown 60 x 70 cm	87043	148,-
② Orange brown 60 x 70 cm	87013	148,-

230 volt heating carpets 230 V

③ Silver 60x70cm, app. 60 W	87050	148,-
③ Silver 60x100cm, app. 90 W	87051	174,-
④ Brown 60x70cm, app. 50 W	87023	148,-
④ Brown 60x100cm, app. 70 W	87022	174,-

230 V felt heating carpets

230V

- Surface material felt, color gray
- Surface temperature: 40° C - 50° C
- Overheating protection
- Voltage: 230 Volt, 50 Hz
- Protection type/class IP 20 / II

60 x 45 cm 230 V / 65 W, weight 1.5 kg	87054	167,-
100 x 60 cm 230 V / 170 W, weight 2.5 kg	87055	239,-



from 167,-

BP* = Base price per specified unit

ORGANIZER FOR CAB SEATS / BACKREST UPHOLSTERY

CARBEST 

Felt seat organizer universal

- For driver or passenger seat
- With retaining strap (elastic) on armrests & hook for fastening under seat
- Large bag also suitable for laptop

Material felt, color anthracite
Dim.: W42 x H76 cm.

919172 21,80



21,80



← Stretchable 33 to 66 cm →



With 3 pockets



CARBEST 

Utensilo set for front passenger seat

- With 3 pockets including attachment for back of front seats

The utensil set keeps vehicle tidy. Pockets are firmly sewn to the retaining mat and offer quick access to travel utensils thanks to Velcro fastener and mesh pocket. Retaining mat is attached to seats w/ metal eyelets. Consisting of: Holding mat, 1 x bag (dim.: 36 x 20 x 5 cm) & 2 x bags (dim.: 45 x 25 x 6 cm)

919165 217,-



①



②



Bag for cab seats

- Retaining mat w/ 5 pockets for driver & passenger seat rear
- Secure hold due to attachment w/ eyelets (on headrest) & 4 elastic bands
- Universal use, thanks to adjustable attachment to armrest, seat and headrest
- Chic faux leather look in black-grey and black

Holding mat with 5 pockets. Dim.: 1 pocket: 32 x 20 cm, 2 pockets: 21 x 19 cm, 1 pocket: 44 x 28 cm. Pockets are closed w/ Velcro. Weight app. 0.8 kg.

① Color black - gray

919167

41,40

② Color black

919180

41,40



Active back cushion for Fiat Ducato cockpit seat

- Perfect fit for Fiat Ducato cockpit seats
- Ergonomically shaped for high riding comfort
- Breathable 3D AirMesh cover with side zipper
- Washable up to 60°

Active back cushion is simply slipped over the headrest and fastened at the lower end using the integrated Velcro fastener. Side zipper for replacing the plastic slats. Color grey.

930090

64,30



frolli

Active back cushion

- For healthy mobility
- Easy to attach due to practical fastening system
- Breathable 3D AirMesh cover with side zipper
- Washable up to 60°



Backrest cushion with slatted spring core for more ventilation & relief. For use in all touring vehicles, including seats with side airbags. Also suitable for office chairs. App. dim.: L60 x W30 cm. Color black.

93009

44,60



98,10

Volkswagen Transporter 6 / 5 window bag

- For Volkswagen Transporter 6/5 California Ocean, Coast & Beach from 2003, rear right side window
- Large storage vol. w/ 2 interior compartments
- 1 mesh outer pocket & 1 closed outer pocket for mobile, glasses, watch, reading stuff etc.
- Very easy installation without tools and without modification to vehicle

Blackout function, with carrying handle. Material: imitation leather (robust, easy-care and odorless). Dimensions: approx. 80 x 46.5 x 12 cm

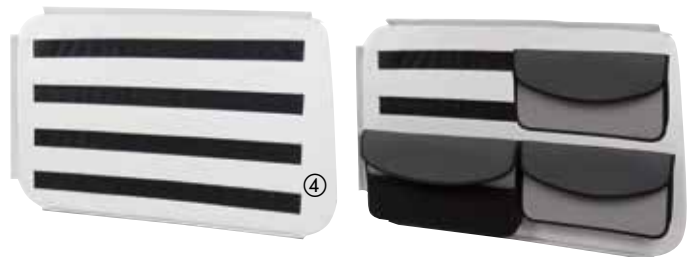
919169 98,10



Utensil pocket system as window covering

Window pockets For attaching to sturdy window panels using Velcro tape. Pockets for window panels can be combined well:

① small pocket, 36 x 20 x 5 cm (not shown)	919160	29,40
② medium bag, 45 x 26 x 6 cm	919161	46,90
③ large bag, w/ thermo inner pocket 28 x 48 x 9 cm	919162	59,90



④ Window panels

For darkening & holding window pockets

All Volkswagen Transporter 6/5 KR station wagons w/o comfort trim & California Beach/Multivan Startline KR up to 2009.

Left	9191680	79,60
Right	9191681	79,60

For Mercedes-Benz Vito "long" without Comfort cladding, glazed

Left	9191684	79,60
Right	9191685	79,60

For Renault Traffic KR and identical vehicles such as Opel Vivaro, Nissan NV 300, Fiat Talento glazed, without comfort paneling

Left	9191686	79,60
Right	9191687	79,60

Window pockets for Pössl Campster / Citroën Spacetourer

- Attachment without screws
- Removable at any time
- Extra storage space
- Blackout function
- Robust, durable material



Side window pocket left & right for Pössl Campster, Citroën Spacetourer & similar (Peugeot Traveller, Opel Zafira Life, Toyota Proace Verso), all length M (L2).

Offers more storage volume in interior. W/ 2 mesh outer pockets, carrying handle & blackout function. Material: 100% polyester, Dim.: 66 cm x 41 cm x 18 cm
Load capacity: max. 5 kg

Left side	919175	65,40
Right side	919176	65,40



65,40

CAB ADDITIONAL BEDS



Additional cab beds

- 7 cm cold foam mattress + 1 cm MDF board
- Cover (polyester) removable and washable
- 2-fold foldable (weight approx. 11 kg)
- Color: Grey



Illustration shows item 421743

Fiat Ducato (also Ducato 8), Peugeot Boxer,

Citroën Jumper > 2002	421742	239,-
Volkswagen Transporter 6.1 / 6 / 5 / 4	421743	239,-
Volkswagen Crafter, MAN TGE > 2017	421744	250,-
Mercedes-Benz V-Class, Vito Tourer > 2014	421745	250,-
Mercedes-Benz Sprinter > 2018	421746	250,-
Renault Trafic, Fiat Talento, Nissan NV300,		
Opel Vivaro > 2002	421747	250,-
Ford Transit Custom > 2013	421748	250,-
Citroën Spacetourer/Jumpy, Peugeot Expert/Traveller,		
Toyota Proace, Opel Zafira, Fiat Scudo > 2015	421749	250,-
Carrying bag (suitable for all beds)	421750	54,50



CampSleep - extra bed for the cab

- Stabilization by a belt from bed to handle (passenger)
- Durable fabric, removable and washable
- Lateral wooden plate reinforcement for upper body
- Mattress thickness 10 cm
- Option: protective bag against pollution

Suitable for the following vehicles:

Cab in motorhomes (2-seater) > 2005, e.g.: Ducato / Sprinter / Transit / Crafter / Boxer / Master / Jumper / Daily / Movano > 2021

CampSleep folds out in 2 sections. Total length door to door app. 160 cm. Depth to glove compartment app. 74 cm, to steering wheel app. 44 cm.

Weight app. 7 kg.

- ① CampSleep, left-hand drive 42173 435,-
- ② CampSleep, right-hand drive 42175 446,-
- ③ CampSleep Small - additional bed for driver's cab in small commercial vehicles

The comfortable additional bed for the cab of the smaller commercial vehicle class, e.g. VW T6/T5, Mercedes Vito, etc. The bed is simply folded out twice. This makes it easy to create an additional sleeping area on the seats in the driver's cab. Dimensions: 148 x 64 x 10 cm. Weight only approx. 6 kg.

- CampSleep Small, left-hand drive 42174 326,-
- CampSleep Small, Rechtslenker 421741 381,-

Protective bag for CampSleep extra beds (not shown)

Practical protective bag. Protects against dirt and dust.

Dim.: 85 x 86 x 25 cm 421731 39,20



Cabbunk
Patented
HOLD YOUR SEAT - DON'T HOLD IT AGAIN - COMPROMISE

Mounting kit included
Storage bag included

Patented cab crib system for cab swivel seats

- For additional sleeping places in driver's cab
- Lying surface: app. 174 x 55 cm
- Load capacity up to max. 70 kg per bed
- Easy assembly & disassembly under 1 minute
- Robust, double-walled telescopic aluminum rod
- Robust and abrasion resistant nylon fabric
- Compact pack size when not in use & storage
- Weight: single bed 3.5 kg, double bed 7 kg
- Washable up to 30 °C

	VW Caddy, VW T4/T5/T6, Mercedes Viano/Vito/Metris, Ford Transit Custom, Renault Trafic	VW Transporter w/ double seat*		Ford Transit < 2014		Renault Master/ Opel Movano < 21		Mercedes-Benz Sprinter, VW Crafter, Fiat Ducato, Peugeot Boxer, Ford Transit(> 2015)		3-fold seat all vehicles		
Single bed	42193	321,-	42188	268,-	42197	321,-	42195	321,-	42191	321,-	—	—
Double bed	42194	577,-	—	—	42198	577,-	42196	577,-	42192	577,-	42199	577,-

*Order mounting kit 42180

Foldable topper

Mattress pads for sleeping bench, foldable

- Evens out unevenness
- High sleeping comfort
- Comfortable fabric
- Light weight and + small pack size
- Includes practical transport bag

The foldable topper, tailor-made for Volkswagen Transporter 6 / 5, Marco Polo (Horizon and Activity) and Pössl Campster.

Used to compensate for unevenness caused by sleeping bench. Sleeping comfort is increased enormously by additional mattress topper. Folding function makes it easy to store and transport, so there is always a place for foldable topper. Material: fabric cover made of polyester, mattress made of cold foam.



Picture shows topper in Pössl Campster

Folding topper for Volkswagen Transporter 6 /5, California Beach, Multivan KR, w/ 3-seater bench seat	59013	196,-
Comfort wedge for Volkswagen T6/T5 (for 59013)	590130	75,30
Foldable topper Marco Polo Horizon / Activity	59014	196,-
Foldable topper Marco Polo (w/ furniture line)	59015	185,-
Foldable topper Pössl Campster	59016	185,-



Comfort wedge for VW T5/T6



Gel foam mattress topper

- Protects mattress, offers high sleeping comfort
- Memory foam adapts exactly to shape of body and returns to its original state after pressure is applied
- Soft memory foam with integrated gel particles for temperature regulation
- Perfect for travel and home



Gel head cushion with memory foam

- Cooling gel pad on one side
- Memory foam on the other side
- Memory foam adapts to the shape of the body
- Removable, washable cover

Non-slip effect & elastic bands on the underside hold topper in place on the mattress for a secure fit. Easy to roll up w/ 2 elastic bands.

Material: Outer cover 100% Jaquard fabric (removable & washable up to 40°C). Filling: 45D memory foam w/ integrated blue gel particles. Certified according to OEKO-TEX Standard 100 (Note: after opening and unrolling, leave to rest until fully unfolded)

Topper L195 x W80 x H4 cm, Weight 3,1 kg	59031	65,40
Topper L195 x W120 x H4 cm, Weight 4,8 kg	59032	87,20

Pillow ensures a relaxing night's sleep. Reversible function: Cooling gel pad (45x27cm) for summer months on one side, memory foam on the other. Material: outer cover 100% poly-mesh fabric, filling: memory foam 850 g + 360 g gel (certified to OEKO-TEX Standard 100) Dim.: L60 x W40 x H12 cm, weight: 1.3 kg. Transport bag included.

59030 27,20



Stand inflatable separately and removable



Rear seat air mattress for cars, SUV, sedans

- Mattress & stand separately inflatable & separable
- can also be used w/o stand as mattress for camping in a tent or at home
- Includes 2 inflatable cushions
- Includes 12 V air pump with 3 adapters
- Includes pannier and repair kit



Dim. L 137 x W 84 x H 8cm / foot 30cm high
Material: PVC + velour, color grey, weight app. 2 kg

93088 54,50

12 V air pump included



239,-

7 cm thick

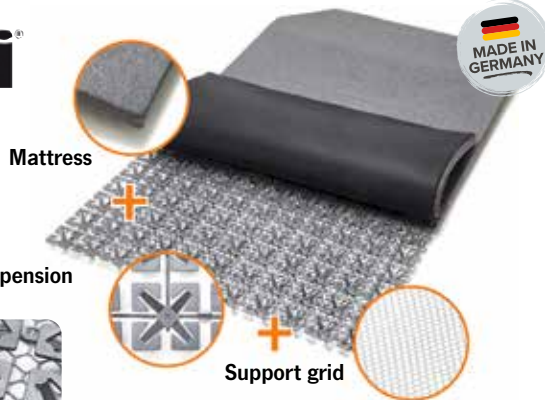
Even- Comfortable reclining & sleeping mat for Volkswagen Multivan & California Beach

- More sleeping comfort in the Multivan and California Beach
- Compensates for different heights in seat bench
- Consisting of two chambers

Dim.: 198 x 152 x 7cm (LxWxH), pack size: Ø28 x 70 cm Weight app. 4.5 kg

93075 239,-

froli



Mattress

Suspension

Support grid

Under-springing prevents tension & relieves pressure.



Scan QR code and watch product video

Retrofit sleeping set for Volkswagen Transporter 6 / 5 California

- Sleeping set consists of mattress, slat base & support grid
- Higher sleeping comfort due to comfort slatted base
- Quality mattress w/ 48kg/cbm density
- Has a pressure-relieving effect & prevents tension
- Mattress cover: top side made of double cloth, bottom side made of breathable Airmesh fabric, washable at 30 ° C

Slatted frame in vehicle serves as basis for new bed system and does not need to be removed. Simply remove old mattress, roll out support grid and slatted base, attach it and place new mattress on top. That's it! Support grid prevents springs from slipping through the slatted frame. Spring mat provides pressure-relieving support. This prevents tension & one-sided strain. The open, air-permeable cells ensure perfect ventilation & an optimum sleeping climate. Total height only 7 cm. High-quality PUR cold foam core mattress, firmness level: medium firm. Scope of delivery: 1 support grid, 1 spring mat (height 3 cm), 1 mattress (thickness 4 cm), 25 Velcro fasteners, weight: 10.9 kg.

93083

610,-



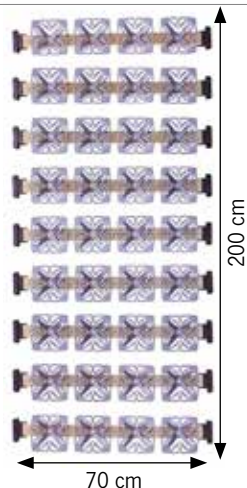
Sleeping pad for Ford Nugget

- For lower sleeping area of following models: Ford Nugget, Nugget Plus, Nugget Active and Nugget Trail
- Breathable, ventilated underside thanks to air mesh
- Cover is removable (zipper) & washable at 30 °C
- Easy to stow in the vehicle, dust protection w/ duffel bag

Optimum fit, high-quality appearance & workmanship adapt perfectly to vehicle. Unfolded in just a few seconds, lower sleeping area of Ford Nugget motorhome (not for Big Nugget XL (LR)) becomes a comfortable place to sleep. Material polyester cover, top + sides: Double fabric, unquilted, underside: Air mesh fabric. Dim.: app. H 4.5 x L 90 x W 102/124 cm, pack size: app. L 102 x Ø 40 cm Weight: app. 5.6 kg w/ duffel bag, density 40 kg/m³, compression hardness: 4.0 kPa.

590245

479,-



Stepped design possible



High quality suspension elements

DIY Travelfix Camper - The bed kit for do-it-yourselfers

- Complete bed kit for do-it-yourselfers
- Delivery includes 44 comfortable spring elements
- Maximum bed size: 70x200 cm

The set contains all the components needed to make a slatted frame with spring elements.

Scope of delivery: 44 spring elements, 22 slat mounts, 11 curved spring slats, mounting material, mounting instructions and mounting video.



Scan QR code and watch product video

930122

266,-

CARBEST



Mattress pad

- Avoids condensation
- High elastic fabric from PE threads
- Provides good air conditioning under mattress

Pressure-elastic & breathable fabric made of PE threads acts like an invisible climate zone. Mattress base provides pressure relief & support for intervertebral disc. Can be cut to size individually. Available in thicknesses of 10 and 15 mm.

W 80 x L 200 x H 1.0 cm

93936

43,60

W 120 x L 200 x H 1.0 cm

93938

70,80

W 140 x L 200 x H 1.0 cm

93939

98,10

W 80 x L 200 x H 1.5 cm

939360

65,40

W 120 x L 200 x H 1.5 cm

939380

98,10

W 140 x L 200 x H 1.5 cm

939390

131,-



Dreams come true in smallest space

Froli sleep systems promote healthy sleep & are also extremely space- and weight-saving. The degree of firmness can be increased in various areas, e.g. for lumbar support, by subsequently clipping in tensioning crosses. A commercially available mattress, preferably cold foam or latex, is used as a base.

- In a handy **basic package** is a complete kit for the standard dimensions of berths in touring vehicles.
- Froli **Extension package** supplements missing elements in case of deviations from standard dimensions.



Ideal sleeping system for low heights, slopes, curves and angles

For all sleeping areas in motorhomes (ideal for alcoves and fold-down beds), boats or bunks. Curves and slopes can be perfectly filled by twisting or using half elements (not included). Installation height: 33 mm, weight: 2.6 kg per m^2 , cushioning up to 25 mm

Basic package

up to bed size 70 x 200 cm

- ① 40 Springs normal
 - ② 8 springs soft
 - ③ 48 Foot crosses
 - ④ 8 Clamping crosses
- 93010 174,-**

Extension package

- ① 10 Springs normal
 - ② 2 springs soft
 - ③ 12 foot crosses
 - ④ 2 clamping crosses
- 93011 53,-**

- ④ **Package Clamping crosses** Set w/ 15 pieces

930101 18,-

- ⑤ **Extension package half elements** 12 half elements & 12 foot crosses

930100 46,90



Healthy sleep to retrofit - for every bed size

Systems can be clipped narrowly or widely by selecting the hole spacing. Degree of firmness can be varied to suit the respective body weight. Construction height: 43 mm, weight: 1.9kg/ m^2 . Suspension up to 33 cm.

Basic package for bed size 70/80 x 200 cm

- ① 50 springs normal
 - ② 10 springs soft
 - ③ 60 foot crosses
 - ④ 10 clamping crosses
- 93012 172,-**



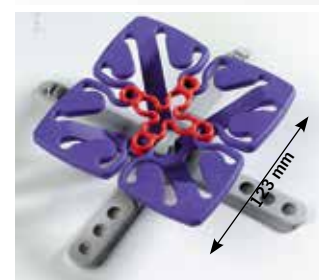
Extension package

- ① 10 Springs normal
 - ② 2 springs soft
 - ③ 12 foot crosses
 - ④ 2 clamping crosses
- 93013 46,40**

Extension package Soft

- ② 12 springs soft, 12 foot crosses
- 930120 46,90**

- ④ **Package Clamping crosses** Set w/ 15 pcs.
- 930121 18,60**



Froli head adjustment ultra light

Height adjustable in 6 steps. Stable due to honeycomb structure, ventilation prevents condensation. Head adjustment already fitted, ultra-light, app. 1.6 kg. Environmentally friendly packaging. Dim.: 70 x 43 x 4 cm

59017 45,-



Froli head adjustment retrofitable

Froli retrofit head adjustment can be fitted in a few simple steps & attached to lower surface of the bed. Width 80 cm. The width can be individually adjusted by shortening the slats.

59021 53,40



SAFETY NETS / ELECTRIC LIFTING BED

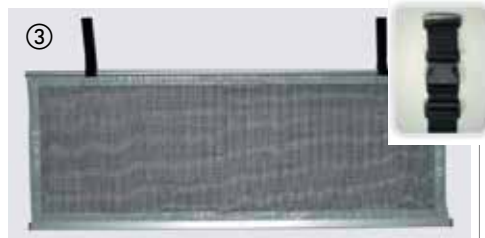


Sliiper fall out protection incl. fastening strap

Important safety for your children is the safety rail in 4 model widths. A sufficiently uniform height of 50 cm meets the requirements of DIN 1645 and 1646. Finger protection for the youngest and maximum visibility for children & parents is guaranteed. 8 variable attachment points freely selectable. Delivery incl. mounting material.

Width 70 cm	47523	66,50
Width 100 cm	47524	74,10
Width 150 cm	47525	97,-
Width 190 cm	47526	109,-

Protective nets to secure people or luggage



① Alcove - protective nets, TÜV approved.

Fall protection for high roof & alcove beds. Protection for objects & sleeping children. Attached to roof at the top w/ a wide strap & special hooks; held securely at the bottom with 4 fasteners.

106 x 35 cm	46187	77,40
180 x 58 cm	46176	207,-
150 x 58 cm	46177	196,-

② Safety nets (not for personal safety !)

Secures luggage. Elastic & tear-resistant. Can be shortened, incl. 4 fastening eyelets. Net height app. 60 cm. 100% polyester.

Width 80-120 cm	46184	20,70
Width 100-140 cm	46182	18,50
Width 140-180 cm	46183	21,80
Width 200 cm	46185	22,90

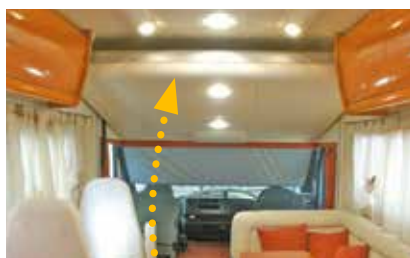
③ Safety nets (not for personal safety !)

For securing luggage in the alcove.

150 x 58 cm	461770	77,40
180 x 58 cm	461760	80,60



2 mounting options: Height adjustment of the rear bed or drop-down bed above dinette or driver's seat



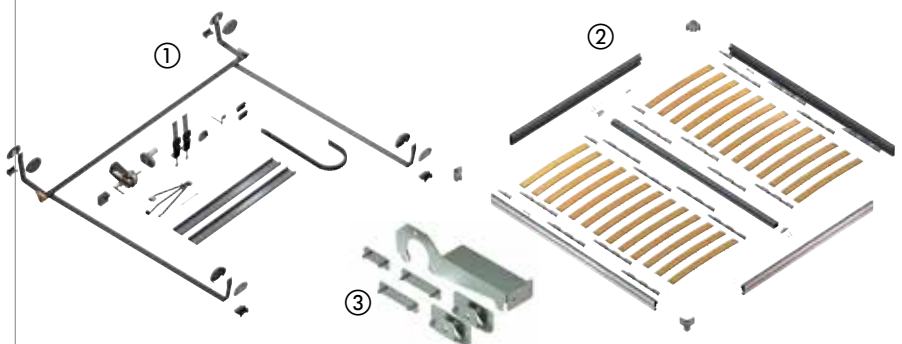
Electric drop-down bed MODULAR SMART BED

- Powerful geared motor
- Heavy-duty steel and aluminum construction
- Manual operation for emergency
- Load capacity: 400 kg (static)
- Maximum customization flexibility
- Patented device

With this system, the bed frame can be raised & lowered via rear garage & dinette, as well as in front area. Device is controlled by an electronic, programmed control unit up to 5 levels (ProBed and TopLine) or by an electromechanical control unit (E-Line).

Unlimited running, technically advanced geared motor with mechanical resistance with integrated encoder. Belt anchoring to dedicated brackets with wall mounting.

Maximum flexibility during installation. Supplied complete w/ installation cabling. Movable load: max. 60 kg (can be increased). Load capacity: 400 kg static. Power supply 12-20A Operating speed: app. 60 mm/sec. Dim.: 1865 x 1500mm. (design adaptable) To be measured by your specialist dealer before installation. Correct measurement Instructions: www.reimo.com



- ① **Lifting system w/ motor unit** (w/o bed frame & slatted frame), scope of delivery: motor unit, stabilizing rails, shafts, fastening plates & 4 m long straps. Weight: 8.6 kg. **93951 1307,-**
- ② **Matching bed frame w/ slatted frame** Can be cut to size, weight app. 15 kg **93954 926,-**
- ③ **Assembly kit** (for connecting lifting system (1) & bed frame (2)) **93955 139,-**



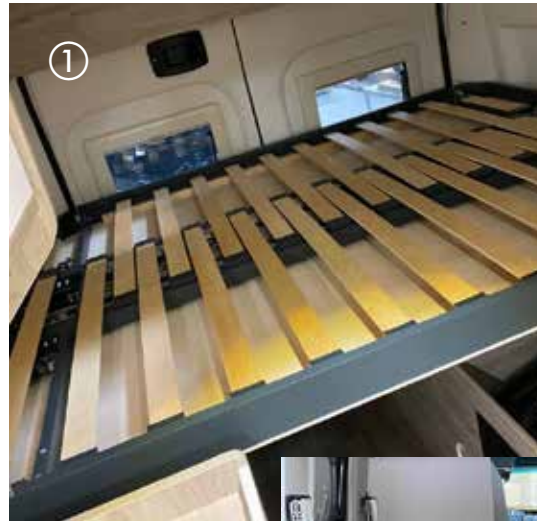
Please contact your specialist dealer to order your dream bed w/ frame including slatted frame, motor unit & belts.



Electric drop-down beds for Fiat Ducato, Peugeot Boxer, Citroën Jumper & Mercedes-Benz Sprinter

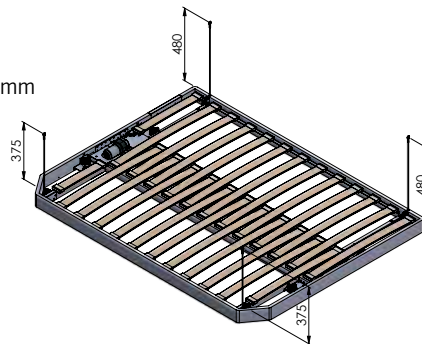
- Complete set
- Space saving sleeping option
- Extra light aluminum profiles (weight app. 35 kg)
- Loadable up to max. 400 kg
- Max. 6-7 amps, operational consumption 12 V
- No adjustment necessary, lengths balance out automatically
- Infinitely height adjustable
- Mechanism integrated in frame under slatted frame
- Maintenance-free
- Slatted frame w/ slat caps, minimizes noise while driving

New electric drop-down bed from Carbest is characterized by its high-quality workmanship and intuitive assembly. Infinitely height-adjustable. The extra light weight (app. 35 kg) is achieved using stable aluminum profiles. Static load capacity is 400 kg. Operating speed is 33 mm/second, with a consumption of only 7 A, input 12 V. The maximum stroke (barrel) is 900 mm. The product is maintenance-free. Includes slat caps for the slatted frame for optimum reduction of mechanical noise while driving.

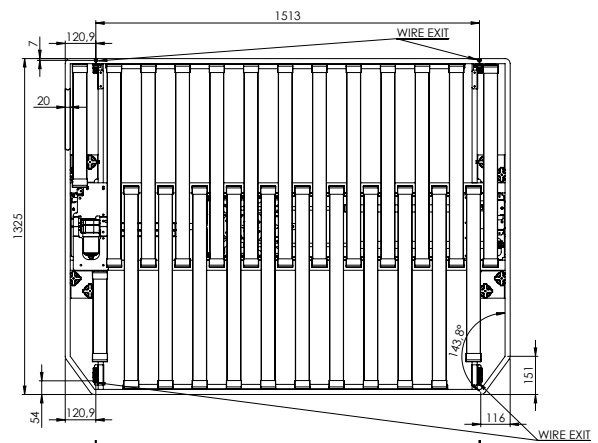


① For Fiat Ducato, Peugeot Boxer, Citroën Jumper

- Scope of delivery:**
- 1 drop-down bed 1755 x 1325 mm
 - 1 mattress 1755 x 1325 mm
 - 1 trolley right
 - 1 trolley left
 - 2 front bed attachments
 - 2 bed rails
 - 1 fixing point at the rear left
 - 1 fixing point at the rear right
 - 2 front mounting plates
 - 1 electrical component (motor)

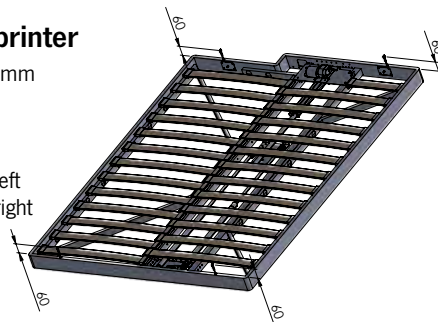


① Lifting bed with pulley 1760x1325 mm
 Frame color black 93957 2070,-

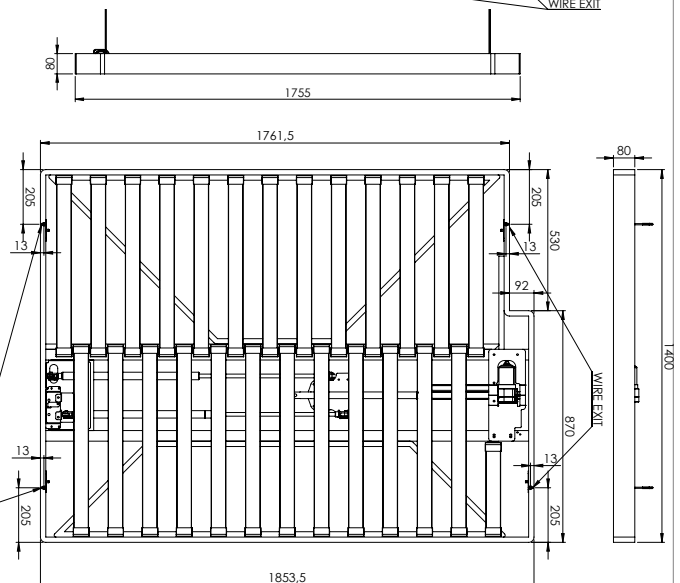


② For Mercedes-Benz Sprinter

- 1 drop-down bed 1853 x 1400 mm
- 1 mattress 1853 x 1400 mm
- 1 trolley right
- 1 trolley left
- 1 front bed attachment on the left
- 1 front bed attachment on the right
- 2 bed rails
- 1 fixing point at the rear left
- 1 fixing point at the rear right
- 1 mounting plate front right
- 1 mounting plate front left
- 1 electrical component (motor)



② Drop-down bed with rails 1853/1761x1400 mm
 93958 2092,-



- Accessories:**
- Stabilization E6847 17,40
 - Plastic runner/strap guide for drop-down bed E5433 15,20

