

PUBLIC ADDRESS / AMPLIFIERS / MONO

PROX-30

PA SINGLE ZONE AMPLIFIER



- ✓ Excellent sound quality
- ✓ Modern and discreet design
- ✓ USB/FM player
- ✓ Compact size, for desktop use
- ✓ Secure, easy-to-connect euroblock connectors



+ Info:
<https://fonestar.com/PROX-30>

ESPECIALLY RECOMMENDED IN:



Factories



Sports facilities



Education



All sectors

DESCRIPTION

Public address amplifier with USB/FM Player

A perfect solution integrating amplifier, mixer, player, microphone and auxiliary inputs in a single unit, for PA installations with 100 V or low impedance loudspeakers requiring intuitive operation on a tight budget.

Secure, easy-to-connect euroblock connectors.

Excellent sound quality.

Modern and discreet design.

Compact size, for desktop use.

Perfect for PA and piped music systems with 100 V or low-impedance line. Commercial premises, educational centres, monuments, exhibitions, bars, restaurants, etc.

TECHNICAL CHARACTERISTICS

FEATURES	Public address amplifier USB/FM player. Microphone input with mix, gain and priority level control. Tone controls. 100 V and 4 Ohm outputs.
POWER	30 W RMS
RESPONSE	20-20,000 Hz \pm 3 dB
DISTORTION	Harmonic: <1% at 1 kHz
INPUTS	1 balanced / unbalanced mic, euroblock / 6.3 mm jack, 600 Ohm 6 mV RMS 1 balanced mic, euroblock, 600 Ohm 6 mV RMS 2 aux, euroblock / 2 x RCA, 47,000 Ohm 300 mV RMS 1 x 100 V line , euroblock



+ Info:

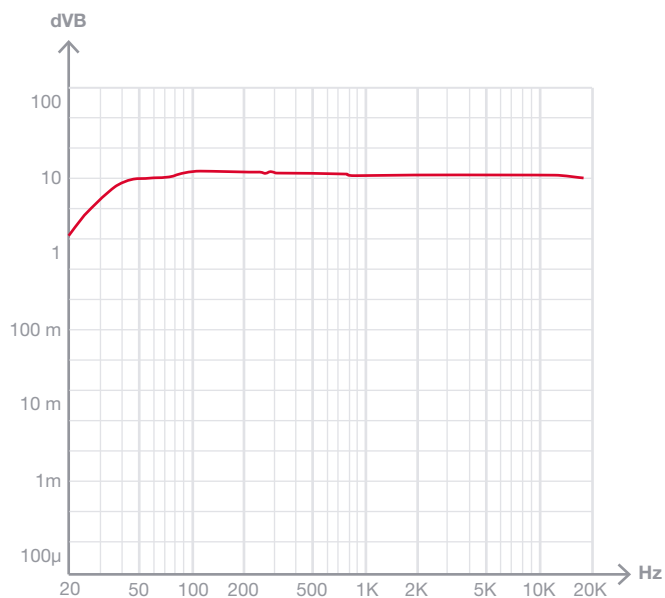
<https://fonestar.com/PROX-30>

FUNCTIONS	<p>Input priority. Emergency Input 100V with maximum priority, attenuates all other inputs. Mute by contact closure, attenuates all inputs except the 100V Emergency input. Microphone 1 and 2 with priority over Aux and Playback inputs, by signal level, selectable. Power on, protection, signal peak and output signal indicator lights. Fanless induction cooling</p>
CONTROLS	<p>Microphone volume Selected input volume Input selector USB/FM player controls Tone: bass and treble Microphone gain and priority</p>
PLAYER	<p>USB player with background music playback mode. When switched on, automatically starts playback FM digital tuner with presets and automatic scanning Memory of last mode selected (USB or FM), last song played or last station tuned. Starts playing in successive order</p>
IMPEDANCE	4 Ohm and 100 V line, euroblock
POWER SUPPLY	230/115 V AC, 100 W
DIMENSIONS	286 x 84 x 252 mm depth
WEIGHT	3.8 kg
ACCESSORIES	FM antenna

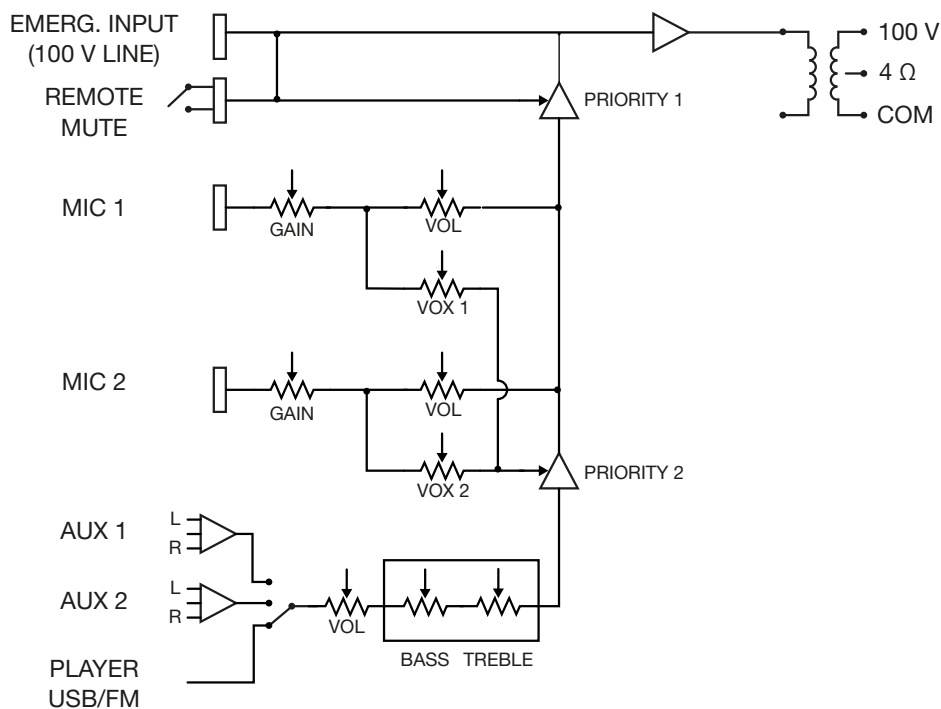


+ Info:
<https://fonestar.com/PROX-30>

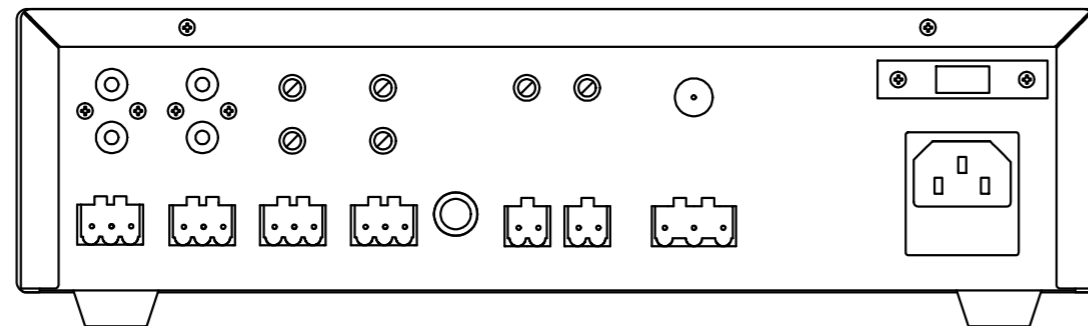
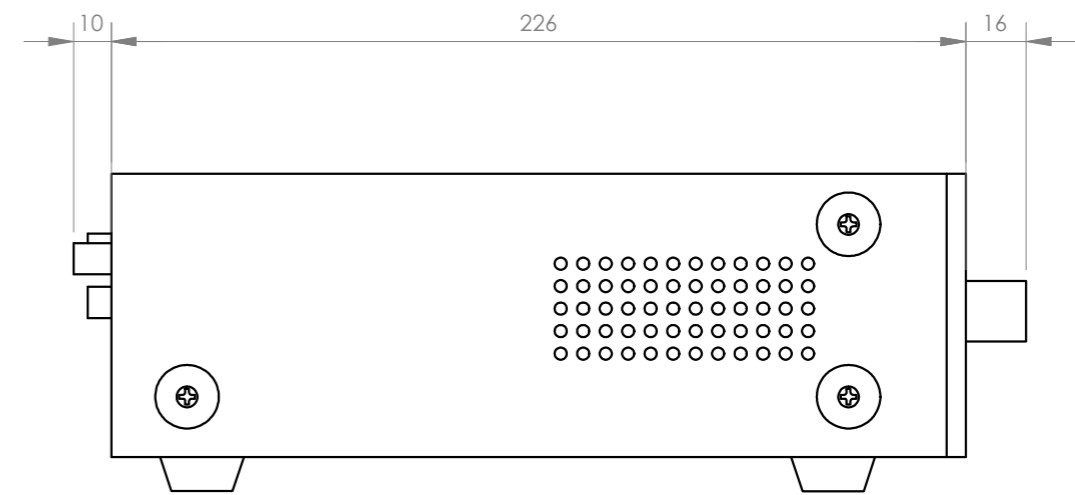
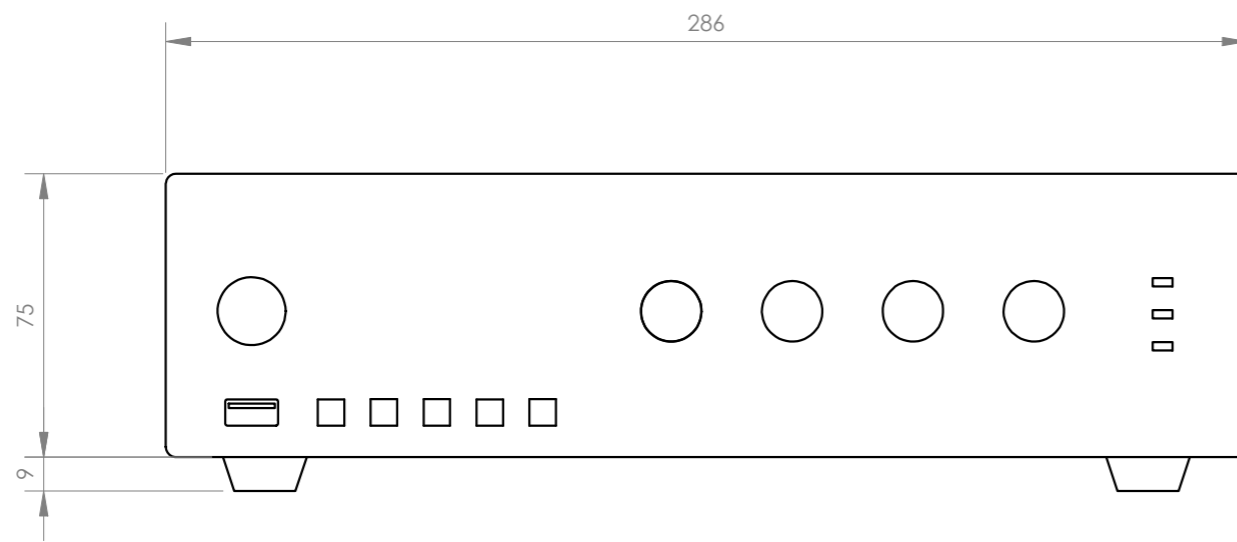
Frequency response



Block diagram



+ Info
<https://fonestar.com/PROX-30>



FONESTAR	Model	Description	Units	Scale
	PROX-30	PA SINGLE ZONE AMPLIFIER	mm	1:2