

PUBLIC ADDRESS / AMPLIFIERS / MONO

## PROX-240S

PA SINGLE ZONE AMPLIFIER



- ✓ PA versatile amplifier
- ✓ Microphone inputs with mix, gain and priority level control
- ✓ Great performance, low maintenance



+ Info:  
<https://fonestar.com/PROX-240S>

ESPECIALLY RECOMMENDED IN:



Factories



Sports facilities



Education



All sectors

## DESCRIPTION

Public Address Amplifier

The best tool for sound coverage of areas.

Reliable for long working days.

Distributed audio for PA installations with 100 speakers, also with low impedance output.

User-friendly operation and a modern, discreet design.

A solution that fits any budget.

Secure, durable connections with low maintenance.

Can be used on the desktop or installed in a rack.

Perfect for PA and piped music systems with 100 V or low-impedance line loudspeakers. Commercial premises, educational centres, monuments, exhibitions, bars, restaurants, etc.

## TECHNICAL CHARACTERISTICS

FEATURES	PA Amplifier Microphone inputs with mix, gain and priority level control. Tone controls. 100 V and 4 Ohm outputs.
POWER	240 W RMS
RESPONSE	40-20,000 Hz (-10 dB)
DISTORTION	THD+N: < 1% @ 1 kHz
S/N RATIO	>77 dB
PROTECTIONS	Overcurrent, DC and short-circuit at the output



+ Info:

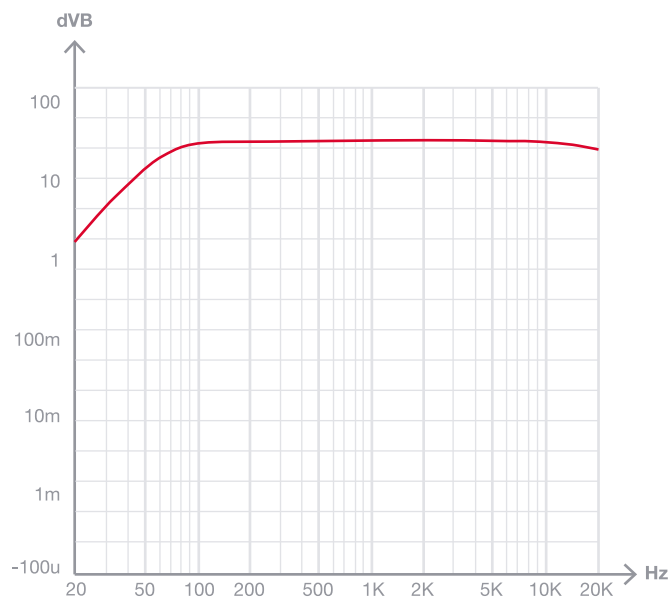
<https://fonestar.com/PROX-240S>

INPUTS	<p>CH 1 balanced mic/line with 48V Phantom, Combo connector (XLR + 6.3mm) and euroblock</p> <p>CH 2, 4 and 4 mic/line balanced with 48V Phantom. Euroblock connector</p> <p>Mic signal level: 6 mV RMS (-44 dBV) / 600 Ohm</p> <p>Line signal level: 250 mV RMS (-12 dBV) / 100k Ohm</p> <p>2 AUX. 2 x RCA and euroblock connector. Signal level 300 mV RMS (-10 dBV) / 47,000 Ohm</p> <p>1 emergency. Euroblock connector. Signal level loudspeaker line 100 V</p> <p>1 Mute (Emergency Priority) by contact closure. Euroblock connector</p>
OUTPUTS	<p>1 line. 2 x RCA connector. Signal level 1.25 V RMS (+2 dBV)</p> <p>100 V or 4 Ohm speaker output. Connector screw terminals</p>
IMPEDANCE	<p>4 Ohm and 100 V (42 Ohm) line</p>
FUNCTIONS	<p>Input priority (voice over VOX inputs):</p> <p>100V Emergency input with highest priority, attenuates all other inputs.</p> <p>Mute by contact closure, attenuates all inputs except the 100 V Emergency input.</p> <p>Channel 1 with priority over all other inputs, level selectable.</p> <p>Channel 2, 3 and 4 with priority over auxiliary inputs, level selectable.</p> <p>Other functions:</p> <p>Power on, protection, signal peak and output signal indicator lights</p> <p>Temperature-controlled forced ventilation cooling</p>
CONTROLS	<p>Microphone volume</p> <p>Mic/line/phantom selector</p> <p>Master volume</p> <p>Aux input selector</p> <p>Tone: bass and treble (+/- 10 dB 100 Hz and 10k Hz)</p> <p>Microphone gain</p> <p>Priority activation signal level (VOX)</p>
OPERATING TEMPERATURE	<p>Operation: 0° ~ 40°C</p>
MAXIMUM HUMIDITY	<p>95%</p>
POWER SUPPLY	<p>230/115 V AC 50-60 Hz, 480 W</p> <p>Fuse AC 230 V 4 A / 115 V 8 A</p>
DIMENSIONS	<p>433 x 89 x 360 mm depth. 2 U 19" rack</p>
WEIGHT	<p>11'3 kg</p>
ACCESSORIES	<p>Power cable</p> <p>Rack mounts</p>

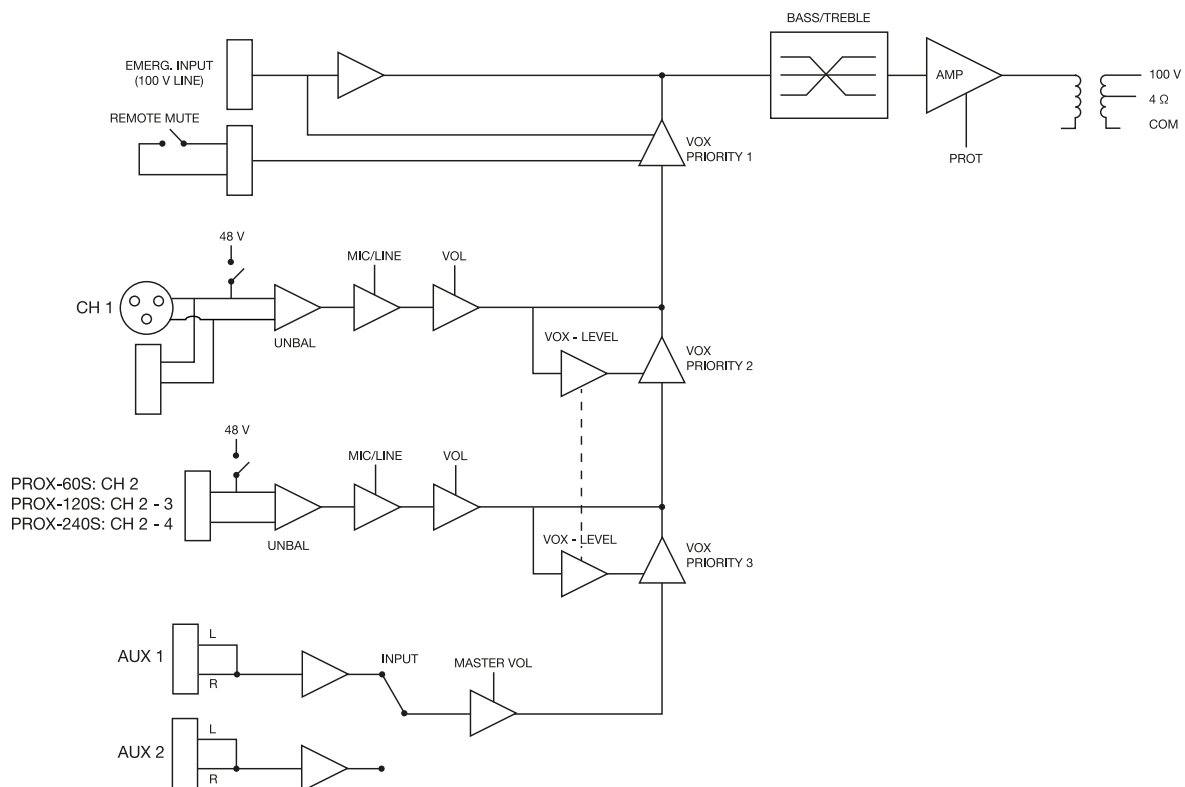


+ Info:  
<https://fonestar.com/PROX-240S>

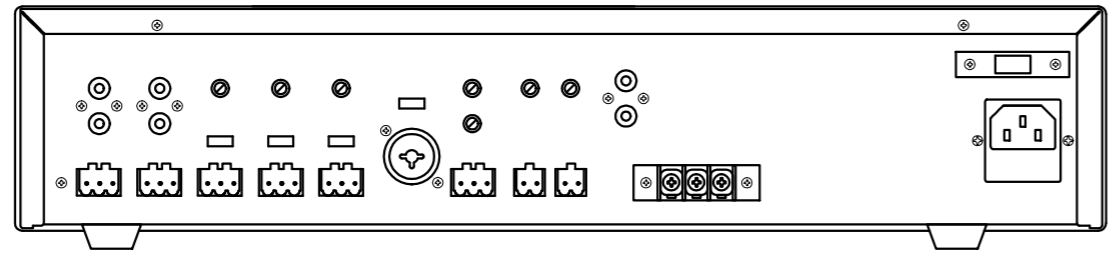
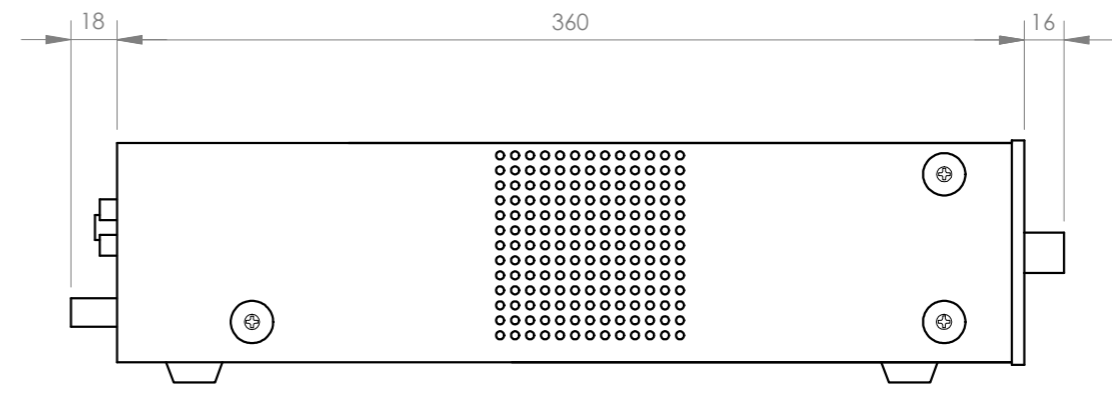
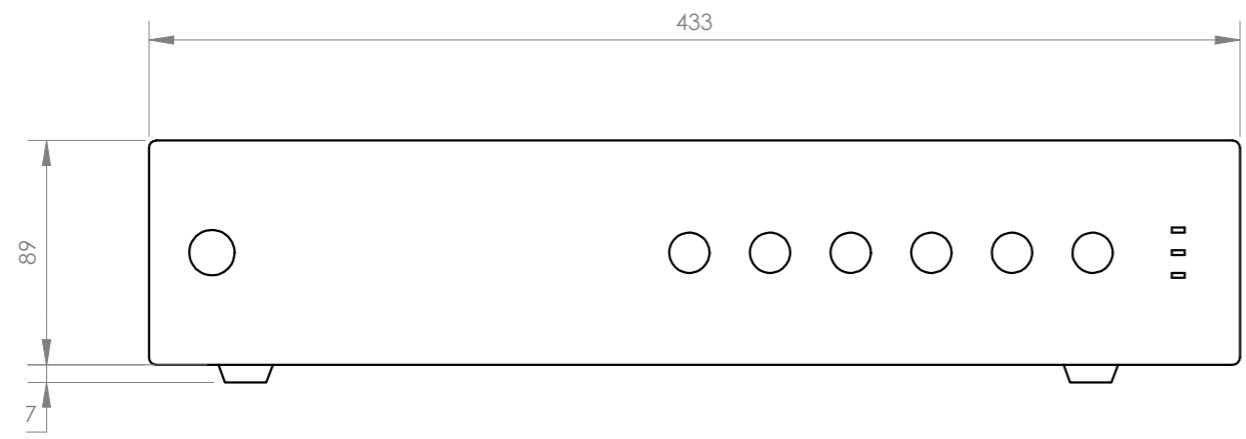
## Frequency response



## Block diagram



+ Info  
<https://fonestar.com/PROX-240S>



<b>FONESTAR</b>	Model	Description	Units	Scale
	PROX-240S	PA SINGLE ZONE AMPLIFIER	mm	1:3